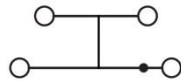
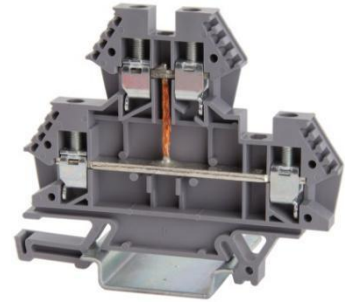


Part number: **10134289-001LF**

Screw multilevel terminal blocks, cross connected - Grey
 Screw connection - 4mm² / 10AWG - Width 6 mm



GENERAL DATA

| | |
|--------------|-----------------|
| Item | 10134289 |
| Weight/Piece | 19 g |
| Colour | Grey |
| Q.ty p.pkg. | 50 |

TECHNICAL DATA / DIMENSIONS

Dimensions

| | |
|--------------------------|------------|
| Width mm (in.) | 6 (0.24) |
| Length mm (in.) | 75 (2.95) |
| Height mm (in.) | 56 (2.20) |
| Mounting type (EN 60715) | Omega TH35 |

Technical data

| | |
|---|-------|
| Maximum load current | 32A |
| Insulating material | PA 68 |
| Self-extinguishing degree acc. to UL94 | V0 |
| Rated surge voltage | 8KV |
| Pollution degree | 3 |
| Surge voltage category | III |
| Insulating material group | I |
| Nominal Voltage | 1000V |
| Nominal Current | 32A |
| Temperature index, insulating material – Elec. UL 746 B - RTI | 130°C |
| Static insulating material lower permissible temperature | -60°C |

Connection data

| | |
|--|--------------------------|
| Conductor cross-section solid min/max | 0.50 / 6 mm ² |
| Conductor cross-section stranded min/max | 0.50 / 4 mm ² |

| | |
|---|----------------------------|
| AWG min/max | 24-10AWG |
| Max conductor cross-section stranded with ferrule with plastic sleeve | 4 mm ² / L=8 mm |
| Stripping length | max 6 mm |
| Screw | M3 – Zinc plated steel |
| Tightening torque | 0.6Nm / 7.0 Lb-In |
| Clamp | Zinc plated steel |
| Current bar | Tin Plated copper alloy |

APPROVALS



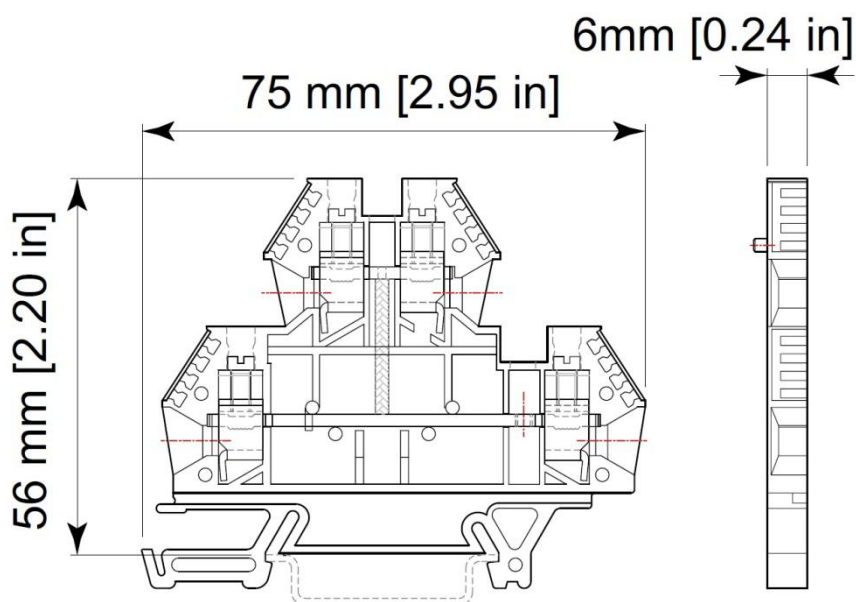
RINA EN60947-7-1 4mm² – 1000V – 32A
EN60068-2-11 Salt mist test for 96 hours



UL1059

SCCR 100kA AWG 24-10 – 600V – 30A

TECHNICAL DRAWINGS



ACCESSORIES

Marking

| Item | Description |
|--|--|
| 10134398-001LF | Single-digit marking tag (5 x 3 mm) - white |
| 10134398-002LF ~ 10134398-011LF | Single-digit marking tag (5 x 3 mm) – with marking: 0 ~ 9 |
| 10134398-012LF ~ 10134398-041LF | Single-digit marking tag (5 x 3 mm) – with marking: A ~ Z |
| 10134400-001LF | Marking tags (5 x 12 mm) - white (<i>special marking on request</i>) |
| 10134401-001LF | Marking tags (6 x 12 mm) - white (<i>special marking on request</i>) |

DIN RAIL system - Mounting and Installation material

| Item | Description |
|-----------------------|-----------------------------|
| 10134389-001LF | End bracket width 9 |
| 10134390-001LF | End bracket width 6 |
| 10134391-001LF | Snap-on end bracket width 6 |

Additional items

| Item | Description |
|------------------------|--|
| 10134292 -001LF | End plate |
| 10134272-001LF | Jumper bar 2 poles - pitch 6.1mm |
| 10134272-002LF | Jumper bar 3 poles - pitch 6.1mm |
| 10134272-003LF | Jumper bar 24 poles - pitch 6.1mm |
| 10134271-002LF | Ratchet cutting tool for jumper bar - yellow - pitch 6.1mm |
| 10134276-001LF | Red test plug adapter |
| 10134276-002LF | Black test plug adapter |