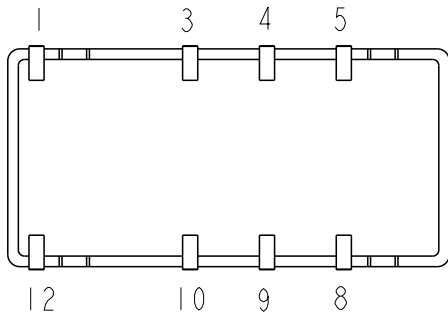
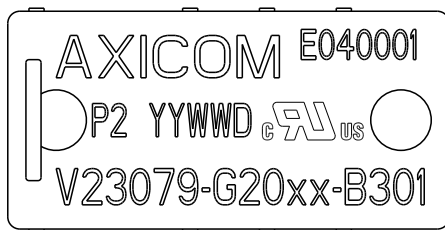
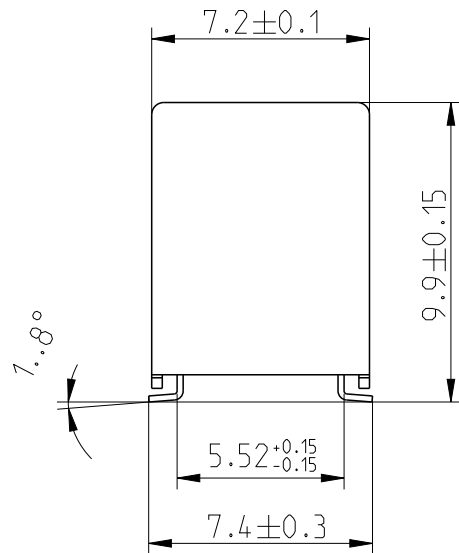
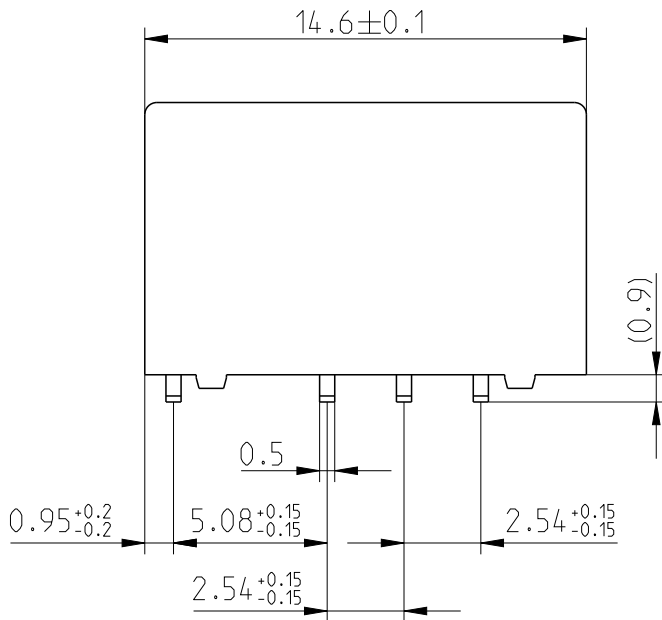


LOC	DIST	REVISIONS					
HJ	-	P	LTR	DESCRIPTION	DATE	DWN	APVD
		C4		ECR-18-011238	6.8.2018	VG	PH



Relay - bottom view



xx = Relay type
YYWWD = Date code

DRAWING ALIAS C23303-A079-A007

2006

RELEASED FOR PUBLICATION

ALL RIGHTS RESERVED.

THIS DRAWING IS UNPUBLISHED.

© COPYRIGHT 2006

DIMENSIONS: mm	DWN Jan Kadlec 25-Oct-16	MATERIAL -	FINISH -
TOLERANCES UNLESS OTHERWISE SPECIFIED: DIN 7168-m	CHK Robert Kaspar 25-Oct-16	TE Connectivity	
0 PLC ±-	APVD Petr Hofman 25-Oct-16		
1 PLC ±	PRODUCT SPEC -	NAME P2-Relay SMT N (Narrow) Dimensions	
2 PLC ±	APPLICATION SPEC -	SIZE A4	RESTRICTED TO -
3 PLC ±	WEIGHT -	CAGE CODE 00779	DRAWING NO C-1393789-3
4 PLC ±	CUSTOMER DRAWING	SCALE 4:1	SHEET 1 OF 1
ANGLES ±-			REV C4