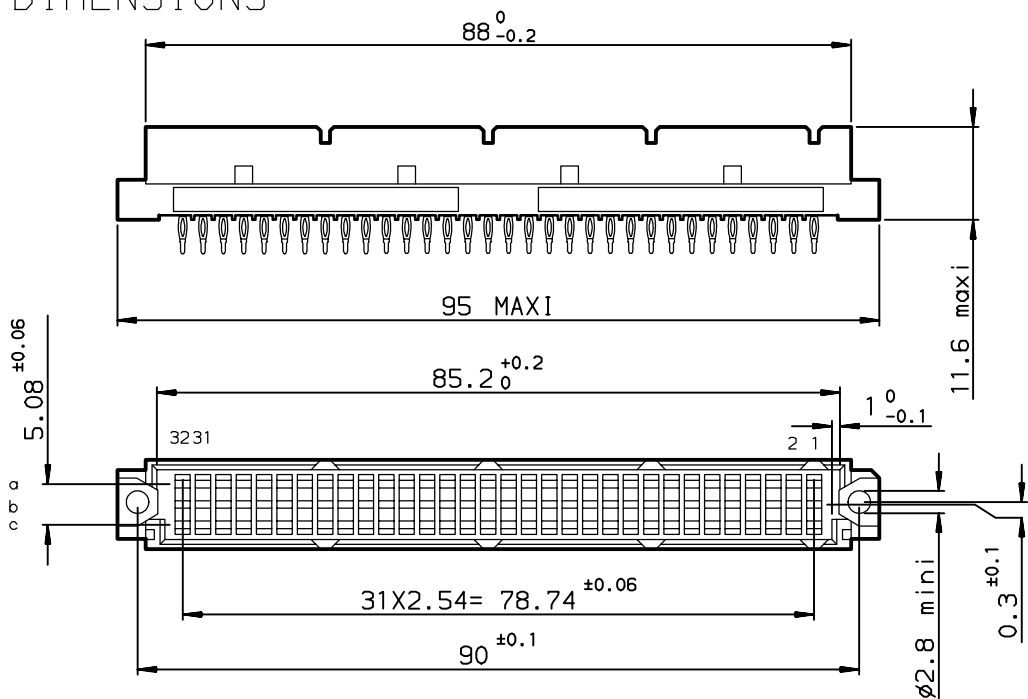
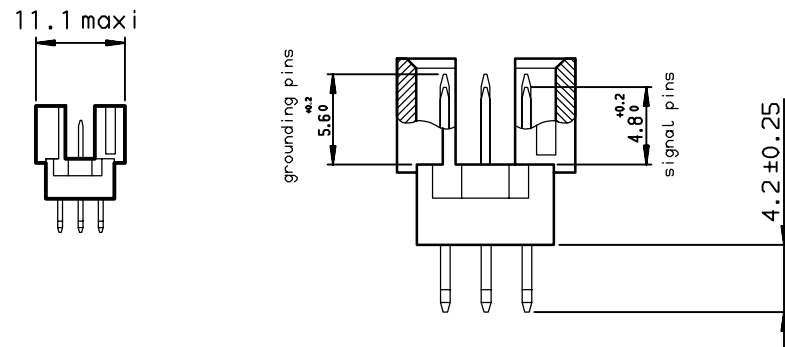


DIMENSIONS



TERMINATION



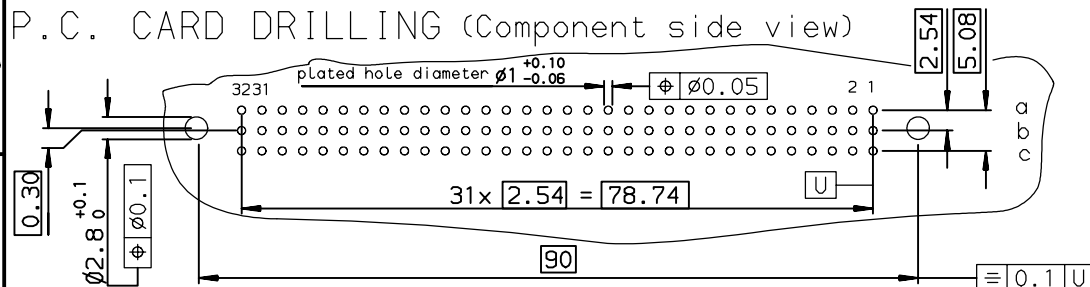
TIN LEAD PART NUMBER

PART NUMBER
86093967894755130E1

LEAD FREE PART NUMBER

PART NUMBER
86093967894755A1LF

P.C. CARD DRILLING (Component side view)



GENERAL CHARACTERISTICS AND ROHS INFORMATIONS:

SEE DRAWING C-8609-0000C

European Views

www.fciconnect.com		surface ISO 1302 ✓	tolerance std ISO 406 ISO 1101	projection mm	size A3	Scale 1.5
TOLERANCES UNLESS OTHERWISE SPECIFIED						
Dr	ROUILLARD	1998/03/19	ANGULAR	0.X	±0.1	ECN L506-0095
Eng	TARON	1998/03/19	LINEAR	0.XX	±0.1	
Chr	LEGARE	1998/03/19	0.XX' ±2'	0.XXX	±0.1	Spec ref -
Appr	LEGARE	1998/03/19	Product family	DIN 8609		
FCI		REVERSE MALE 3 ROW 96 CONTACTS			dwg no	Rev.
		NETAS code A9903096			C-8609-0703	D
catalog no					CUSTOMER	sheet 1 of 1

rev	ecn no	dr	date
B	-	ROU	1999/11/30
C	L505-004	JTA	2005/02/26
D	L506-0095	LGO	2006/06/24
-	-	-	-
-	-	-	-
-	-	-	-

SPECIFICATION 130= 3 grounding pins in position :
OR SPECIFICATION A1= Row: a-b-c Cavity: 32