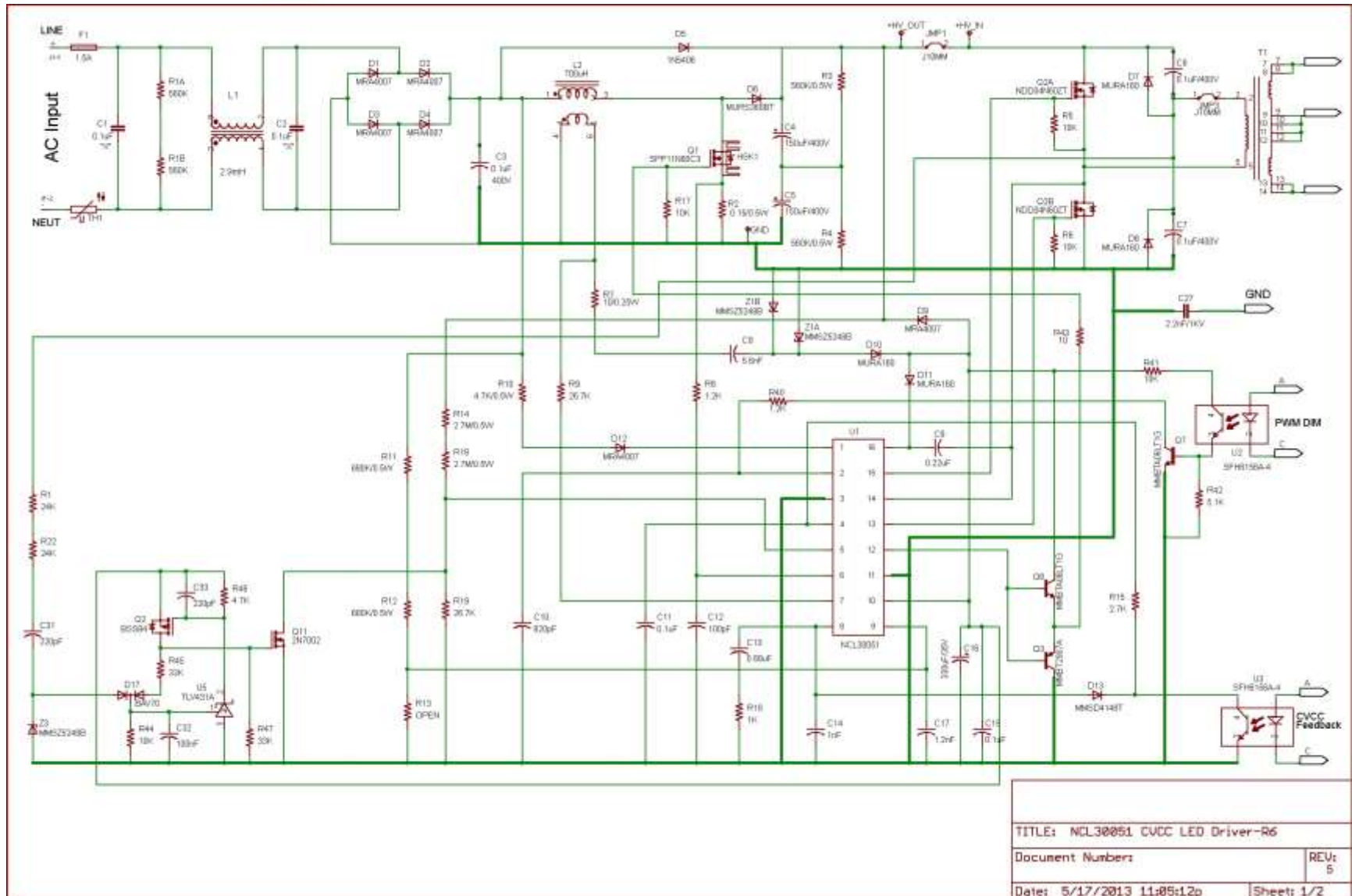


ON Semiconductor®



Schematic for the NCL30051LEDGEVB Evaluation Board



| | |
|------------------------------------|------------|
| TITLE: NCL30051 CVCC LED Driver-R6 | |
| Document Number: | REV: 5 |
| Date: 5/17/2013 11:05:12p | Sheet: 1/2 |

