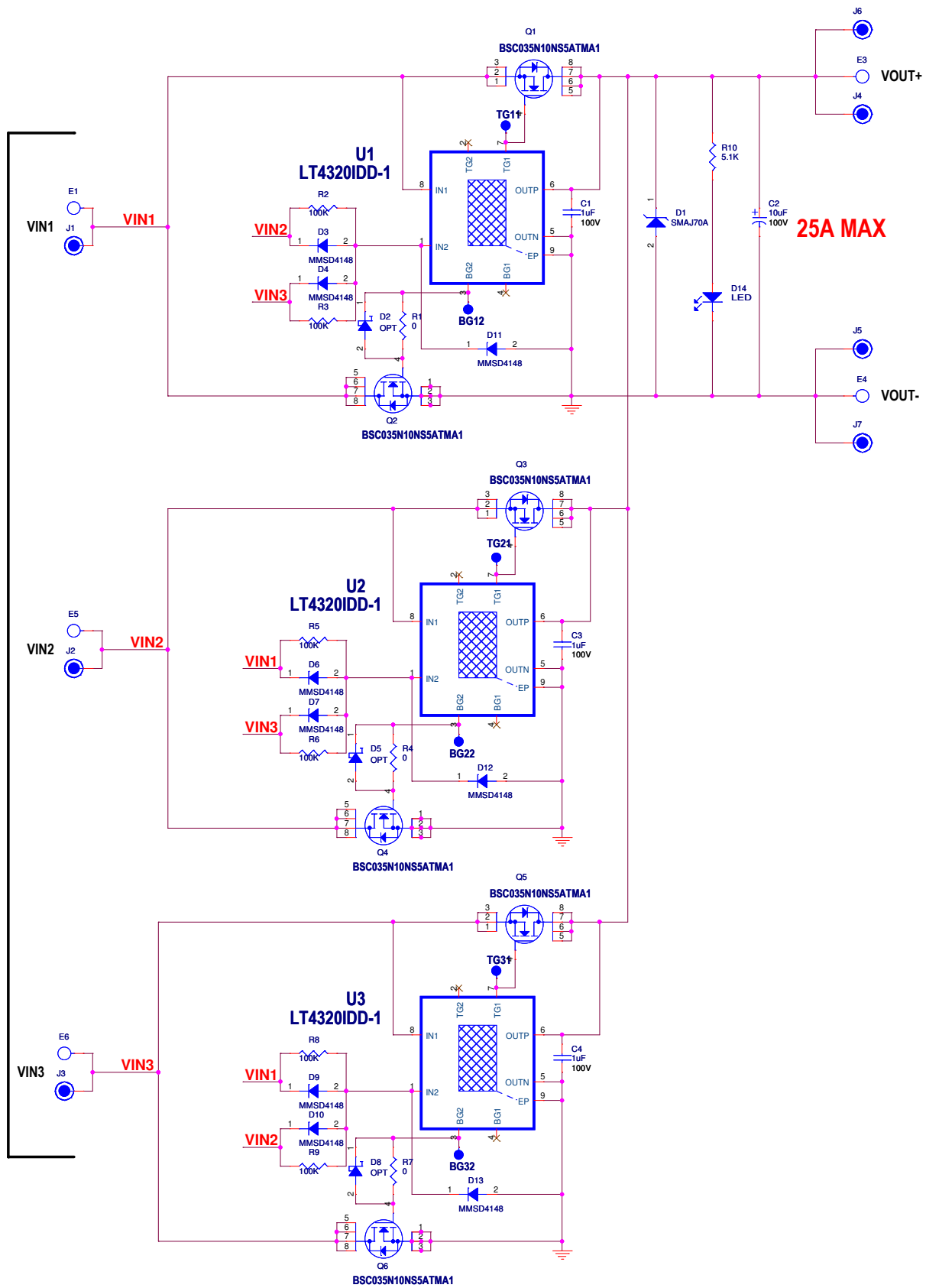


REVISION HISTORY				
ECO	REV	DESCRIPTION	APPROVED	DATE
1	2	PRODUCTION	KAUNG H.	11-19-2015



5-28VAC RMS (L-N)
9-48VAC RMS (L-L)

NOTE: UNLESS OTHERWISE SPECIFIED
 1. ALL RESISTORS AND CAPACITORS ARE 0603.
 2. ALL RESISTORS TOLERANCE RATING ARE 5%.
 (L-N) - LINE TO NEUTRAL
 (L-L) - LINE TO LINE

CUSTOMER NOTICE		APPROVALS		LINEAR TECHNOLOGY		
LINEAR TECHNOLOGY HAS MADE A BEST EFFORT TO DESIGN A CIRCUIT THAT MEETS CUSTOMER-SUPPLIED SPECIFICATIONS; HOWEVER, IT REMAINS THE CUSTOMER'S RESPONSIBILITY TO VERIFY PROPER AND RELIABLE OPERATION IN THE ACTUAL APPLICATION. COMPONENT SUBSTITUTION AND PRINTED CIRCUIT BOARD LAYOUT MAY SIGNIFICANTLY AFFECT CIRCUIT PERFORMANCE OR RELIABILITY. CONTACT LINEAR TECHNOLOGY APPLICATIONS ENGINEERING FOR ASSISTANCE.		PCB DES.	KAUNG H	1630 McCarthy Blvd. Milpitas, CA 95035 Phone: (408)432-1900 www.linear.com Fax: (408)434-0507 LTC Confidential-For Customer Use Only		
		APP ENG.	KAUNG H			
THIS CIRCUIT IS PROPRIETARY TO LINEAR TECHNOLOGY AND SUPPLIED FOR USE WITH LINEAR TECHNOLOGY PARTS.		SCALE = NONE		TITLE: SCHEMATIC 3 PHASE IDEAL DIODE BRIDGE		
		SIZE	N/A	IC NO.	LT4320IDD-1	
		DEMO CIRCUIT 2465A			REV.	2
		DATE:	Monday, November 23, 2015		SHEET	1 OF 1