

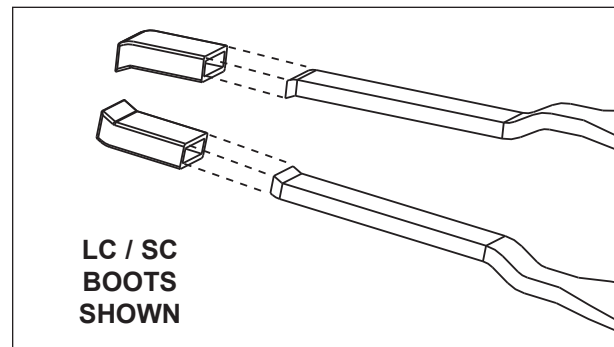
- The open arms allow the operator to pass over cabling that interferes with plug accessibility
- PCRT1 can be used “open” (unlocked) for copper patch cord plugs
- PCRT1 can be used “closed” (locked) for fiber optic patch cord connectors
- PCRT1 can be used by either right or left handed operators

### PCRT1 is supplied with three different style connector boots:

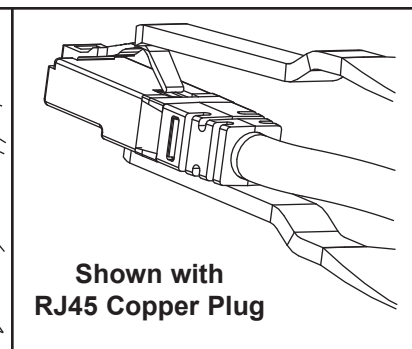
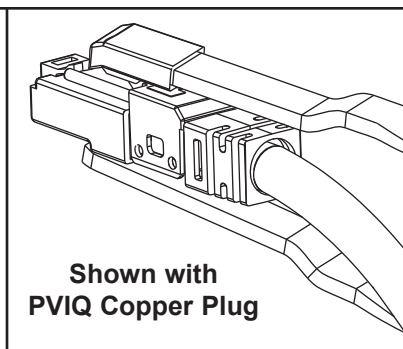
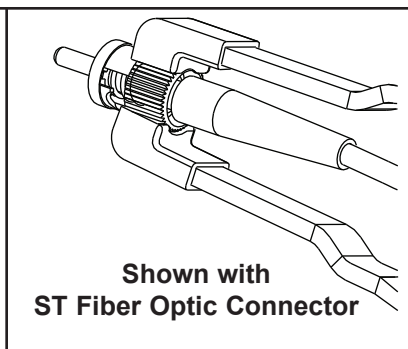
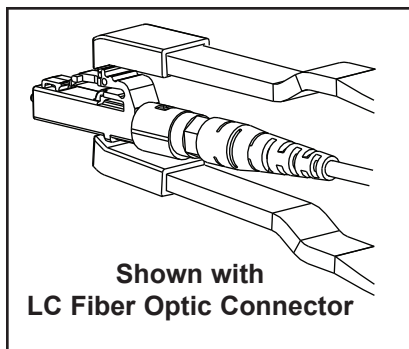
- (2) for LC/SC fiber optic patch cord connectors, color: black
- (2) for ST fiber optic patch cord connectors, color: black
- (1) for PVIQ copper patch cord plugs, color: off-white

### OPERATION

1. If working with fiber optic patch cord connectors, apply desired boots to the tool arms.
2. Place the arms on the fiber optic patch cord connector or copper patch cord plug-latch (see figures below); the tool grip is squeezed lightly to obtain a firm grip on the connector/plug.
3. Pulling the tool in a backwards direction will remove the connector/plug from the module.
4. To install connector/plug, place connector/plug in arms, lightly squeeze grip (tool will hold connector/plug-latch), and push connector/plug into module with latch on the bottom.



**NOTE:** No boots are required for installing or removing standard RJ45 copper patch cord plugs.



# PANDUIT

## PATCH CORD REMOVAL TOOL

Part No.:  
**PCRT1**

FOR INSTALLING OR REMOVING:  
COPPER PATCH CORD PLUGS AND  
FIBER OPTIC PATCH CORD CONNECTORS



## WARNING:

When using this tool (as with any tool) in a static sensitive area, the operator should use an industry approved, standard grounding wrist strap system.



# PANDUIT

[www.panduit.com](http://www.panduit.com)

Technical Support:  
1-888-506-5400, ext. 86914  
E-mail:  
[techsupport@panduit.com](mailto:techsupport@panduit.com)

Panduit Europe, EMEA Service Center  
Almelo, Netherlands  
Tel: +31 (0) 546-580-452 • Fax: +31 (0) 546 580 441  
EU Website: [www.panduit.com/emea](http://www.panduit.com/emea)  
E-mail: [emeatoolservicecenter@panduit.com](mailto:emeatoolservicecenter@panduit.com)

Panduit Latin America Headquarters  
Guadalajara, Jalisco, Mexico  
Tel: +52 (33) 3777-6000 • Fax: +52 (33) 3777-6010  
Página web: [www.panduit.com](http://www.panduit.com)  
Correo electrónico: [cs-la@panduit.com](mailto:cs-la@panduit.com)

Panduit Australia, Melbourne (Head Office)  
Dandenong, VIC  
Aus. Tel: 1-800-PANDUIT / 1-800-726-384  
Fax: 1-800-637-889  
Email: [cs-aus@panduit.com](mailto:cs-aus@panduit.com)

お問い合わせ先：パンドウイトコーポレーション  
• Tel: 03-6863-6050 • Fax: 03-6863-6100  
Website: <http://www.panduit.co.jp/>  
E-mail: [cs-japan@panduit.com](mailto:cs-japan@panduit.com)

### NOTE:

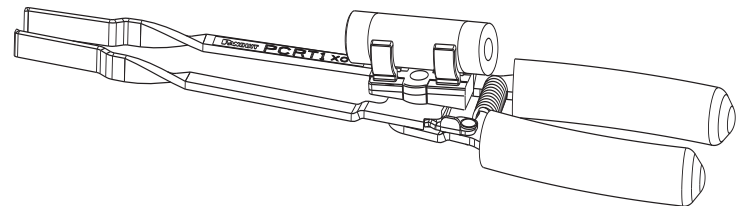
*In the interest of higher quality and value, Panduit products are continually being improved and updated. Consequently, pictures may vary from the enclosed product.*

Panduit United Arab Emirates  
Dubai Internet City, Dubai  
Tel: +971 4 3625435 /6 • Fax: +971 4 3908830  
E-mail: [cs-uae@panduit.com](mailto:cs-uae@panduit.com)

Panduit China, Beijing  
Xuanwumen Xidajie Xicheng District  
Beijing, China  
Tel: 8610 6641 0371 • Fax: 8610 6641 0375  
Toll Free Customer Service:  
North China: 10800 6500 211  
South China: 10800 2650 211  
E-mail: [cs-ap@panduit.com](mailto:cs-ap@panduit.com)

Panduit Singapore - Sales Office  
Singapore, Republic of Singapore  
Tel: 65 6379 6700 • Fax: 65 6379 6759  
E-mail: [cs-ap@panduit.com](mailto:cs-ap@panduit.com)

PCRT1 TOOL shown with KPCRT1-FL Flashlight Kit



REPLACEMENT KITS AVAILABLE  
(Sold Separately)

KPCRT1-FL Flashlight Kit  
KPCRT1-TK PCRT1 Replacement Tip Kit