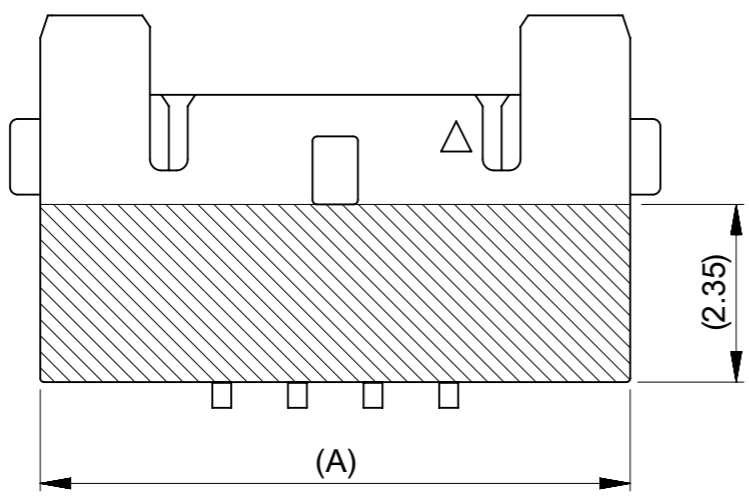


MATED CONNECTORS

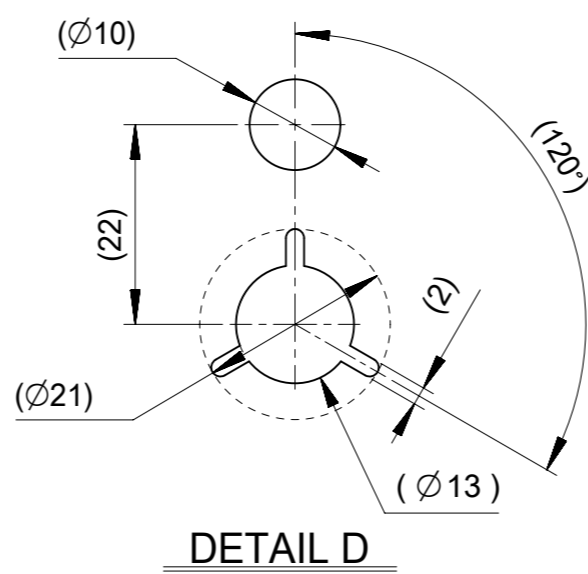
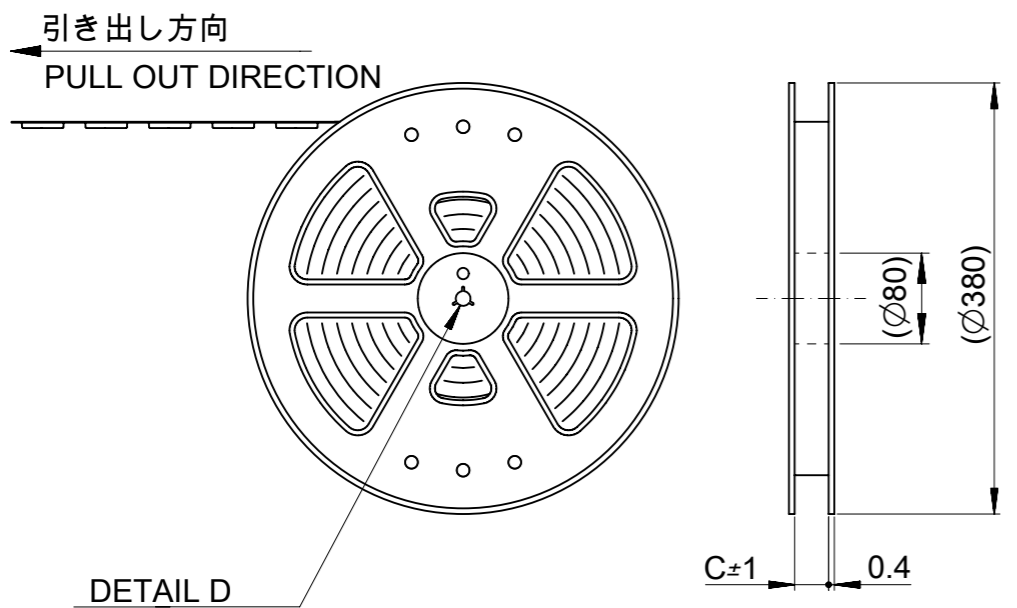
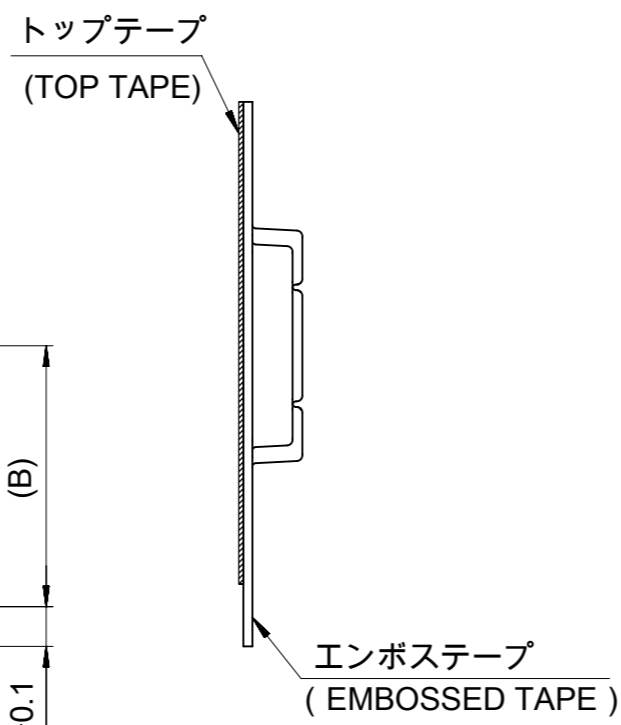
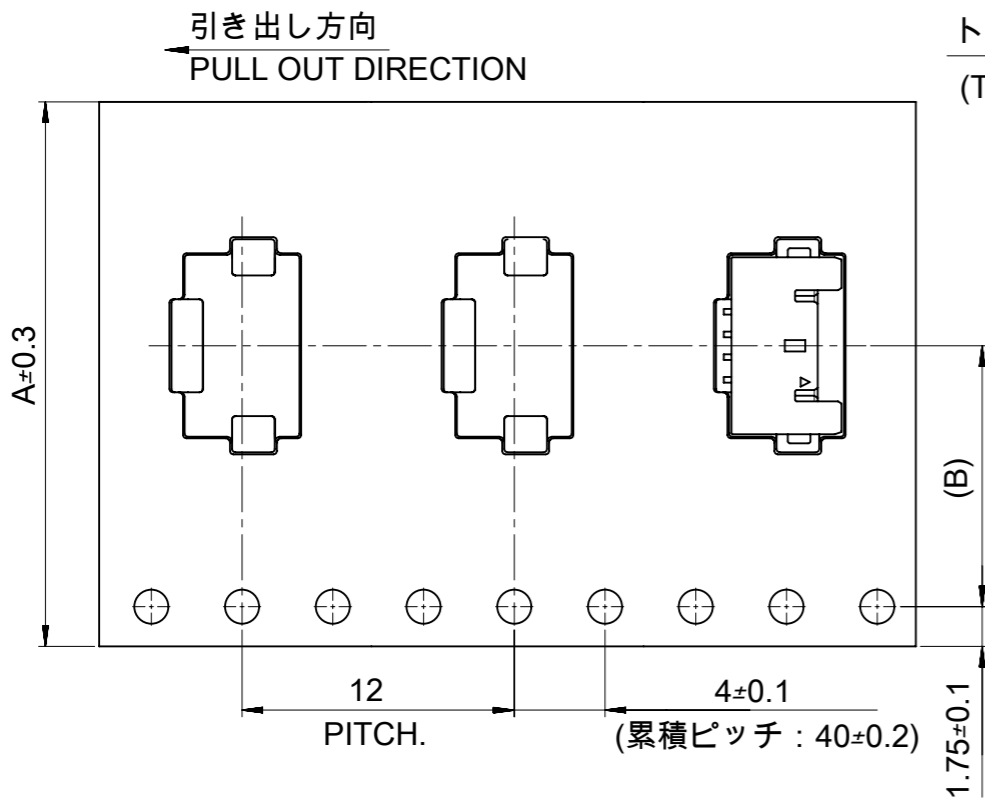
RECOMMENDED PATTERN LAYOUT (REF.)

推奨メタルマスク厚さ:0.1mm、開口率:100%
 RECOMMEND METAL MASK THICKNESS: 0.1mm, APERTURE RATIO: 100%

吸着エリア
 PICK-UP AREA



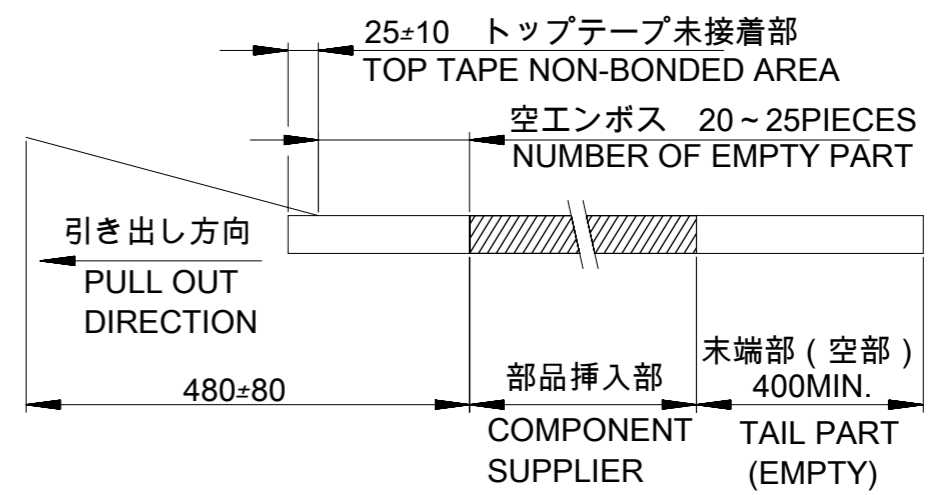
SYMBOLS	THIS DRAWING CONTAINS INFORMATION THAT IS PROPRIETARY TO MOLEX ELECTRONIC TECHNOLOGIES, LLC AND SHOULD NOT BE USED WITHOUT WRITTEN PERMISSION		CURRENT REV DESC:			molex		
	DIMENSION UNITS	SCALE						
▽ = 0	mm	NTS	DRWN: QHE31	2018/12/27	PRODUCT CUSTOMER DRAWING			
▽ = 0	GENERAL TOLERANCES (UNLESS SPECIFIED)		CHK'D: SAKIYAMA	2018/12/27				
▽ = 0	ANGULAR TOL ± 1.0°		APPR: TKANEKO	2018/12/27	DOCUMENT NUMBER			
▽ = 0	4 PLACES	± 0.2	INITIAL REVISION:	2014/03/03				
▽ = 0	3 PLACES	± 0.2	DRWN: YWAKE	2014/03/05	SD-503763-001			
▽ = 0	2 PLACES	± 0.2	APPR: NUKITA		PSD 001 B			
▽ = 0	1 PLACE	± 0.2			DOC TYPE			
▽ = 0	0 PLACES	± 0.2			DOC PART			
□ = 0	DRAFT WHERE APPLICABLE MUST REMAIN WITHIN DIMENSIONS		THIRD ANGLE PROJECTION	DRAWING	SERIES			
■ = 0				A3-SIZE	503763			
▽ = 0					MATERIAL NUMBER			
					CUSTOMER			
					SHEET NUMBER			
					SEE CHART OF SHEET 1			
					GENERAL MARKET			
					2 OF 2			



NOTE

1. 梱包数量: 3000個 / リール
NUMBER OF CONNECTORS: 3000 PIECES/REEL

2. リードテープ長さ
LEAD TAPE LENGTH



3. トップテープの剥離強度IEC 6 0 2 8 6 - 3に準拠の事。
TOP TAPE PEEL FORCE IS DEFINED BY IEC60286-3.0

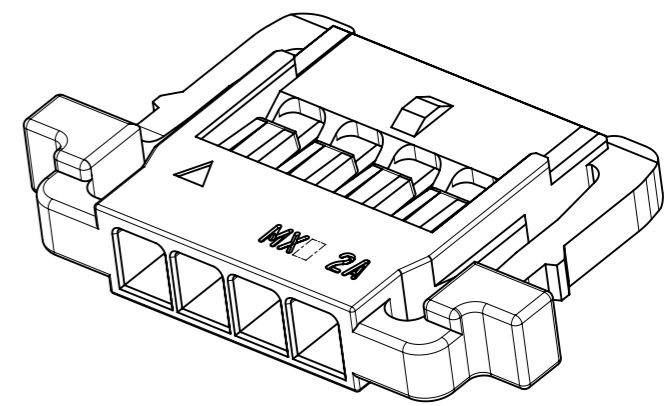
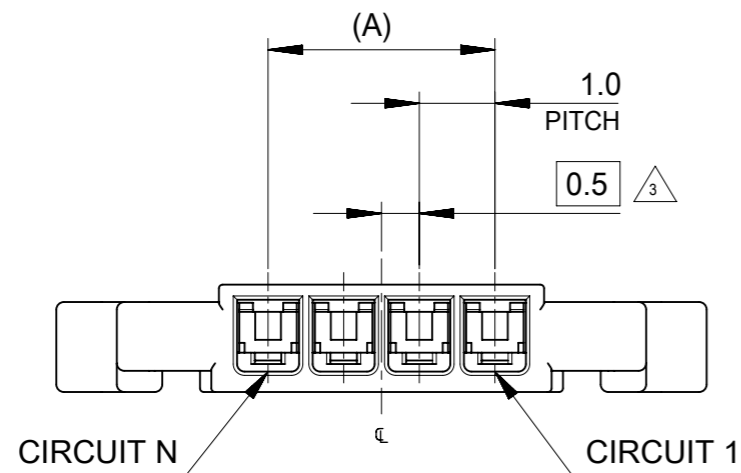
4. 材料
MATERIALS
キャリアテープ:ポリスチレン(PS)
CARRIER TAPE: POLYSTYRENE(PS)
トップテープ:ポリエチレン(PE)、ポリエチレンテレフタレート(PET)
TOP TAPE: POLYETHYLENE(PE), POLYETHYLENE TEREPHTHALATE(PET)
リール:ポリスチレン(PS) (リサイクル材を含む)
REEL: POLYSTYRENE(PS) (RECYCLE MATERIAL CONTAINED)

5. 製品詳細寸法についてはSD-503763-001を参照ください。
PLEASE REFER TO SD-503763-001 FOR THE DETAIL DIMENSION.

25.5	11.5	24	5037630691	6
25.5	11.5	24	5037630591	5
25.5	11.5	24	5037630491	4
17.5	7.5	16	5037630391	3
17.5	7.5	16	5037630291	2
C	B	A	EMBOSSED PACKAGE	CIRCUIT
WIDTH OF TAPE			ORDER NO.	

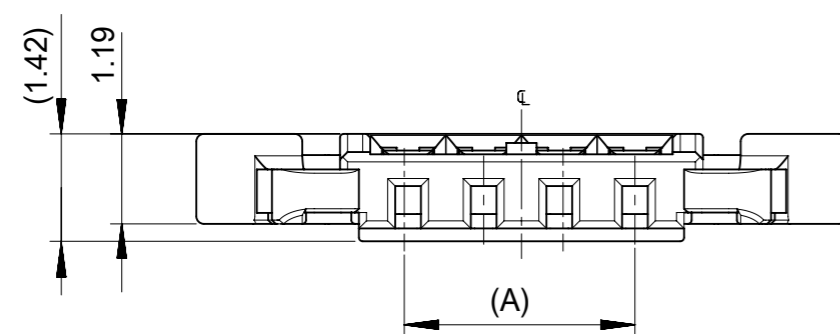
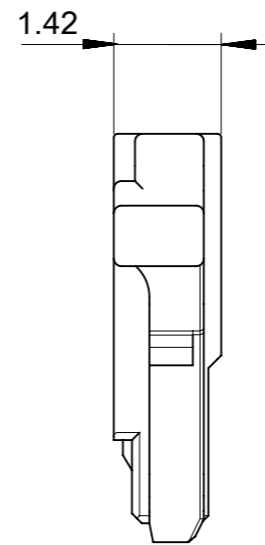
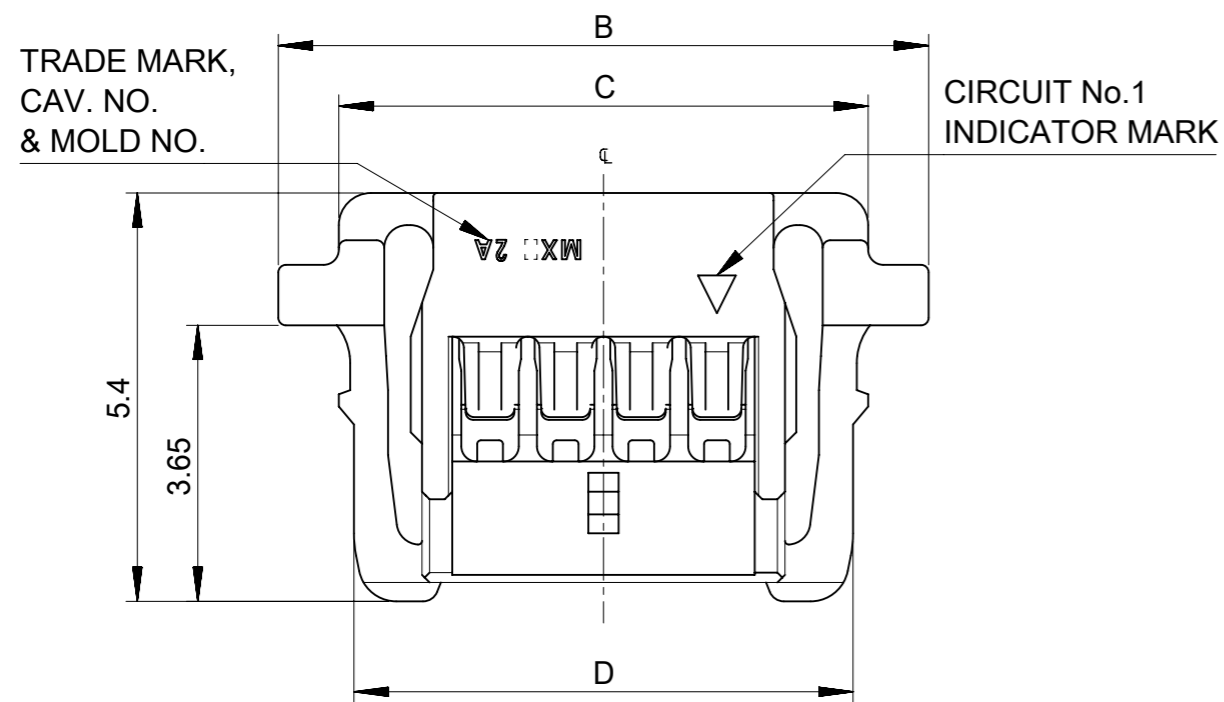
THIS DRAWING CONTAINS INFORMATION THAT IS PROPRIETARY TO MOLEX ELECTRONIC TECHNOLOGIES, LLC AND SHOULD NOT BE USED WITHOUT WRITTEN PERMISSION

DIMENSION UNITS	SCALE	CURRENT REV DESC:	molex		
mm	NTS				
GENERAL TOLERANCES (UNLESS SPECIFIED)			ETP FOR PICO-LOCK1.0 HDRASSY SGLRW R/A		
ANGULAR TOL	± 1.0 °	EC NO: 609635	PRODUCT CUSTOMER DRAWING		
4 PLACES	± 0.2	DRWN: QHE31 2018/03/14	DOCUMENT NUMBER		
3 PLACES	± 0.2	CHK'D: SAKIYAMA 2018/12/27	SD-503763-002		
2 PLACES	± 0.2	APPR: TKANEKO 2018/12/27	DOC TYPE DOC PART REVISION		
1 PLACE	± 0.2	INITIAL REVISION:	PSD 001 B		
0 PLACES	± 0.2	DRWN: YWAKE 2014/02/28	MATERIAL NUMBER		
DRAFT WHERE APPLICABLE MUST REMAIN WITHIN DIMENSIONS			CUSTOMER		
THIRD ANGLE PROJECTION			SEE CHART		
DRAWING			GENERAL MARKET		
SERIES			SHEET NUMBER		
A3-SIZE 503763			1 OF 1		



NOTE

1. 嵌合相手 : 5 0 3 7 6 3 シリーズ
MATES WITH : 503763 SERIES
2. 適合ターミナル : 5 0 3 7 6 5 シリーズ
APPLICABLE TERMINAL : 503765 SERIES
- △₃ 偶数極に適用
APPLY EVEN CIRCUIT PRODUCTS
4. 材料
MATERIAL
ポリアミド(PA) UL94-V0 BLACK
POLYAMIDE(PA) UL94-V0 BLACK
5. E L V 及び R o H S 適合品
ELV AND RoHS COMPLIANT
6. 製品仕様及び取扱いについては、製品仕様書PS-503764-001
及びコネクタ取扱説明書AS-503764-001/002を参照願います。
PLEASE REFER TO PRODUCT SPECIFICATION
PS-503764-001 AND APPLICATION
SPECIFICATION AS-503764-001/002.
7. 梱包仕様書 : SPK-503763-001.
PACKING INFORMATION SPK-503763-001.



8.6	9	10.6	5.0	5037640601	6
7.6	8	9.6	4.0	5037640501	5
6.6	7	8.6	3.0	5037640401	4
5.6	6	7.6	2.0	5037640301	3
4.6	5	6.6	1.0	5037640201	2
D	C	B	A	POLY BAG ORDER NO.	CIRCUIT

THIS DRAWING CONTAINS INFORMATION THAT IS PROPRIETARY TO MOLEX ELECTRONIC TECHNOLOGIES, LLC AND SHOULD NOT BE USED WITHOUT WRITTEN PERMISSION		CURRENT REV DESC:		molex	
DIMENSION UNITS	SCALE	EC NO: 609635			
mm	10:1	DRWN: QHE31 2018/02/26		PRODUCT CUSTOMER DRAWING	
GENERAL TOLERANCES (UNLESS SPECIFIED)		CHK'D: SAKIYAMA 2018/12/27		DOCUMENT NUMBER	
ANGULAR TOL	± 3.0 °	APPR: TKANEKO 2018/12/27		SD-503764-001	
4 PLACES	± 0.2	INITIAL REVISION:		DOC TYPE	DOC PART
3 PLACES	± 0.2	DRWN: YWAKE 2014/03/03		PSD	001
2 PLACES	± 0.2	APPR: NUKITA 2014/03/05		REVISION	B
1 PLACE	± 0.2	DRAFT WHERE APPLICABLE MUST REMAIN WITHIN DIMENSIONS		SHEET NUMBER	
0 PLACES	± 0.2	THIRD ANGLE PROJECTION	DRAWING	SERIES	MATERIAL NUMBER
			A3-SIZE	503764	SEE CHART
		CUSTOMER		GENERAL MARKET	