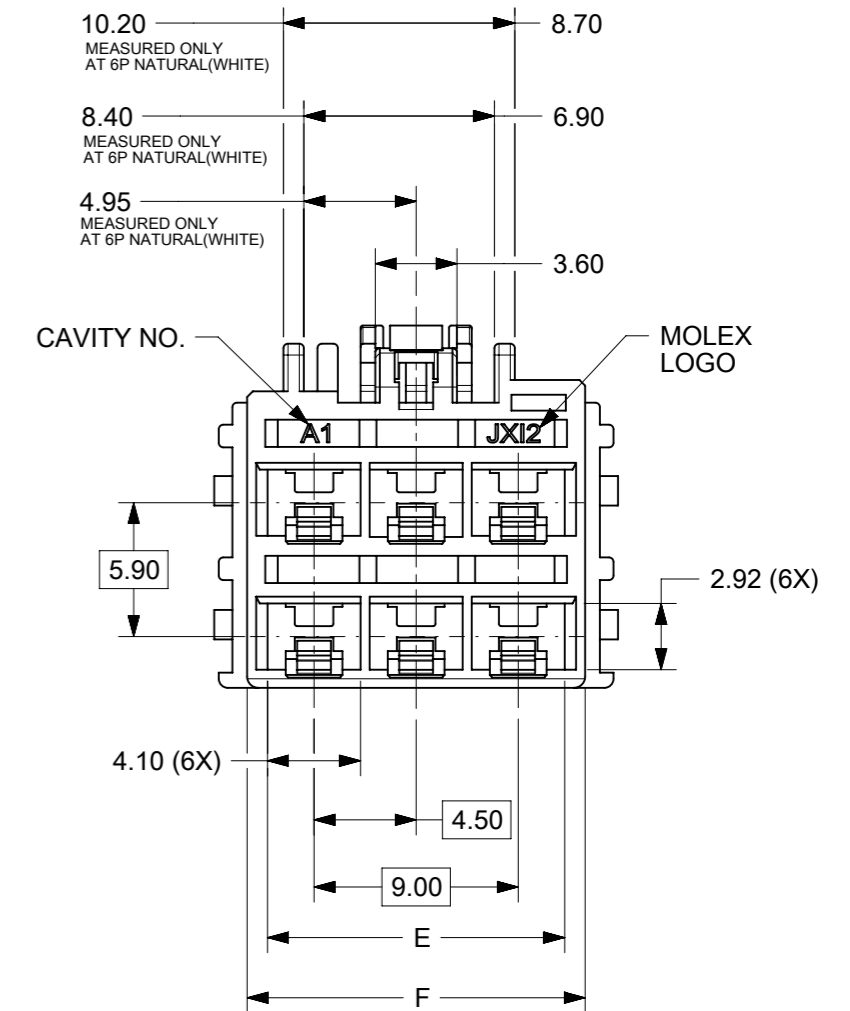
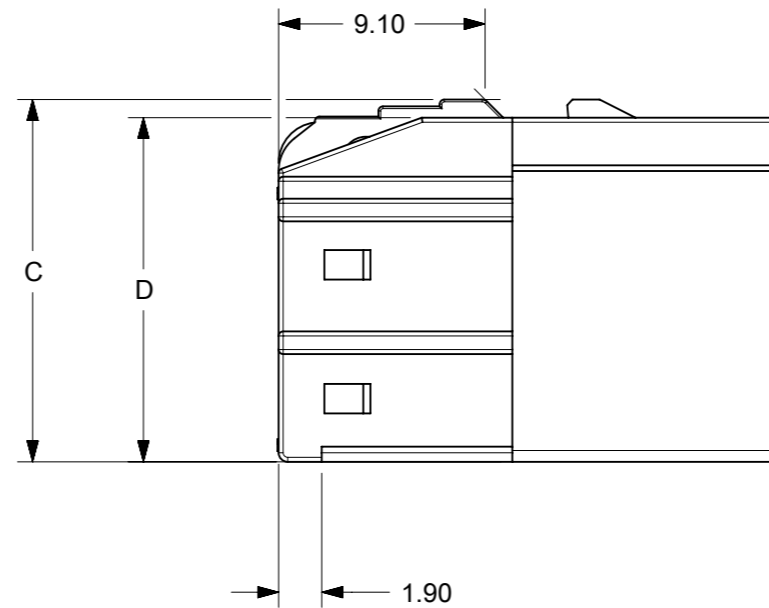
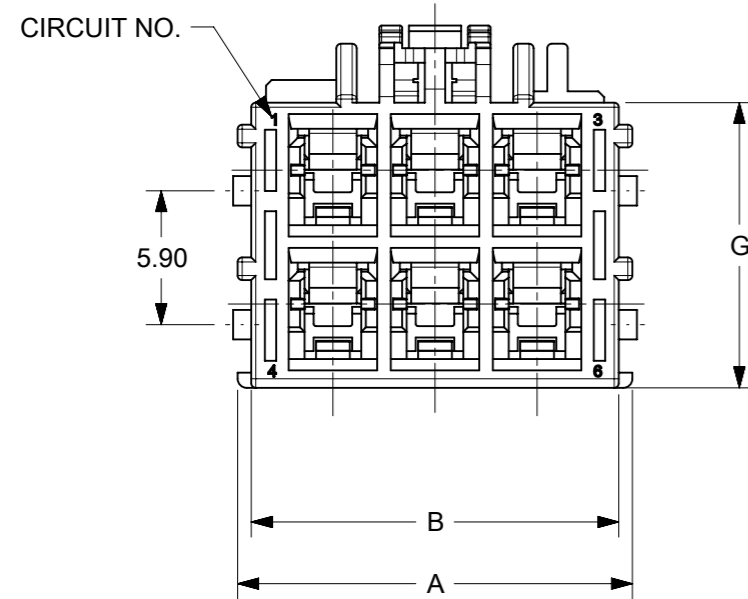


[ALL MATERIAL NO. & HSG. COLOR]

6	2069972601	BLUE
	2069972606	BLACK
	2069972611	NATURAL (WHITE)
4	2069972401	BLUE
	2069972406	BLACK
	2069972411	NATURAL (WHITE)
2	2069972200	ORANGE
	2069972201	BLUE
	2069972203	YELLOW
	2069972206	BLACK
	2069972209	RED
2069972211	NATURAL (WHITE)	
CKT NO.	MATERIAL NO.	COLOR



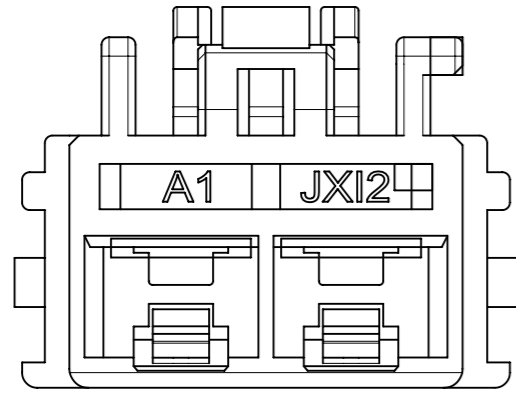
- NOTES:
- MATERIAL: NYLON(PA66/6) UNFILLED, UL94V-0, COLOR: SEE TABLE
 - APPLICATION TERMINAL :
206999 SERIES (FOR WIRE RANGE #16~#22)
207000 SERIES (FOR WIRE RANGE #20~#26)
 - APPLICATION RETAINER : 206998 SERIES
 - MATE WITH HOUSING: 206996 SERIES
 - PRODUCT SPECIFICATION: 2069960000PS
 - PACKAGING SPECIFICATION: 2069960000PK
 - APPLICATION SPECIFICATION : 2069960000AS
 - THERE IS NO INFLUENCE IN THE PRODUCT PERFORMANCE
THOUGH THE BLACK AND WHITE SPOT ETC.
MIGHT BE CONFIRMED TO THE PLASTIC PART OF THIS
PRODUCT AND THE SHADE MIGHT BE DIFFERENT

6	17.4	16.2	15.97	15.17	13.1	14.9	12.57	REFER TO SHEET 6
4	12.9	11.7	15.97	15.17	8.6	10.4	12.57	REFER TO SHEET 5
2	12.9	11.7	10.07	9.27	8.6	10.4	6.67	REFER TO SHEET 4
CKT. NO.	A	B	C	D	E	F	G	MATERIAL NO.

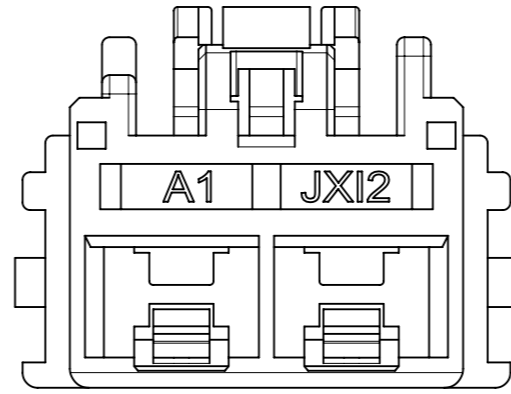
FOR INFORMATION USE ONLY

FUNCTIONAL SYMBOLS	THIS DRAWING CONTAINS INFORMATION THAT IS PROPRIETARY TO MOLEX ELECTRONIC TECHNOLOGIES, LLC AND SHOULD NOT BE USED WITHOUT WRITTEN PERMISSION		CURRENT REV DESC:				
$\nabla_A = 0$ $\nabla_E = 0$ $\nabla_{E'} = 0$	DIMENSION UNITS	SCALE	EC NO:				
	mm	3:1	DRWN: SCHONG03		PRODUCT CUSTOMER DRAWING		
	GENERAL TOLERANCES (UNLESS SPECIFIED)		CHK'D: JDPARK01		DOCUMENT NUMBER		
	ANGULAR TOL $\pm 5.0^\circ$		APPR:		DOC TYPE DOC PART REVISION		
DIVISIONAL SYMBOLS	4 PLACES \pm		INITIAL REVISION:		2069970000		
	3 PLACES ± 0.2		DRWN: SCHONG03		PSD 001 B		
	2 PLACES ± 0.2		APPR: YSKIM02		2019/02/18		
	1 PLACE ± 0.2		SERIES		2020/03/19		
	0 PLACES ± 0.3		MATERIAL NUMBER		CUSTOMER		
	DRAFT WHERE APPLICABLE MUST REMAIN WITHIN DIMENSIONS		THIRD ANGLE PROJECTION	DRAWING	SHEET NUMBER	SHEET NUMBER	
				A3-SIZE	206997	1 OF 4	

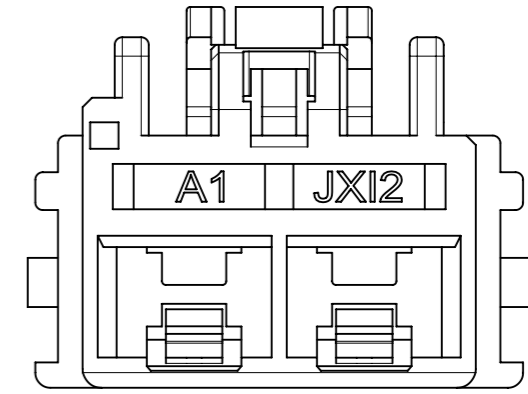
HOUSING WITH POLARIZATION FEATURES AND COLOR FOR 2 CKTS



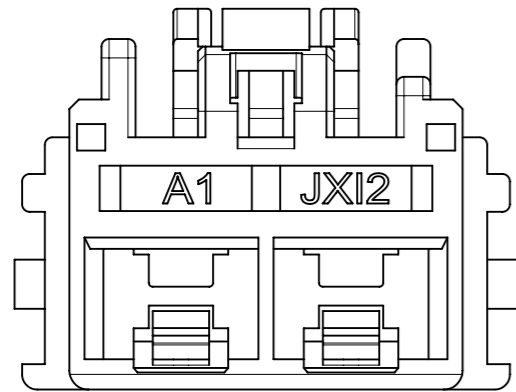
① 2069972200
ORANGE



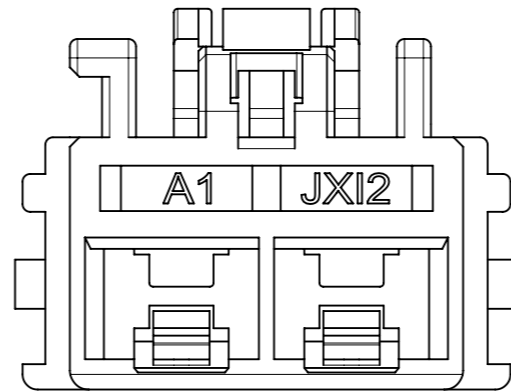
② 2069972201
BLUE



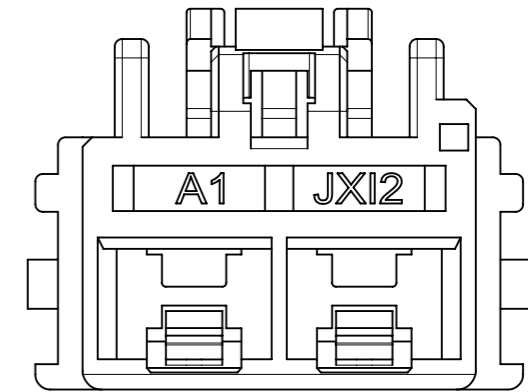
③ 2069972203
YELLOW



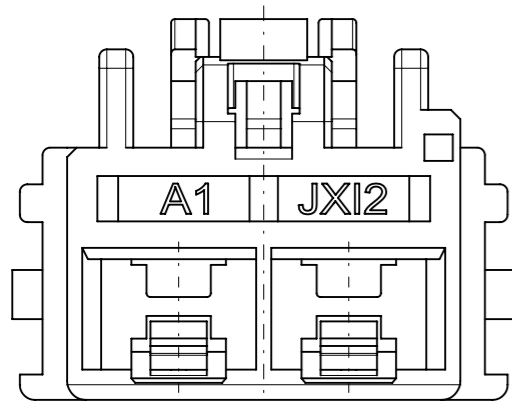
④ 2069972206
BLACK



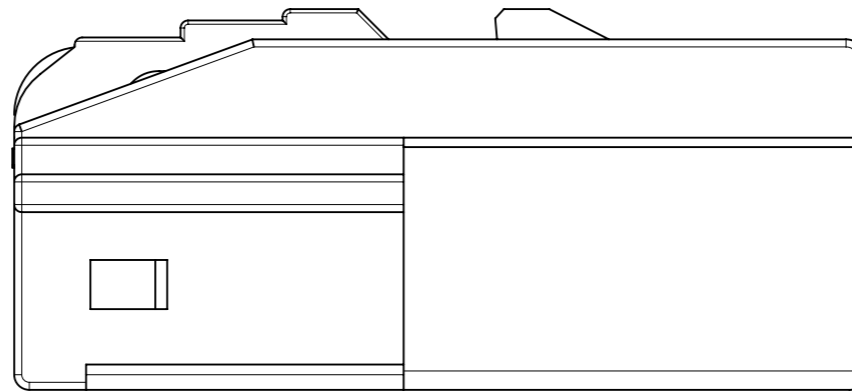
⑤ 2069972209
RED



⑥ 2069972211
NATURAL (WHITE)



4.50

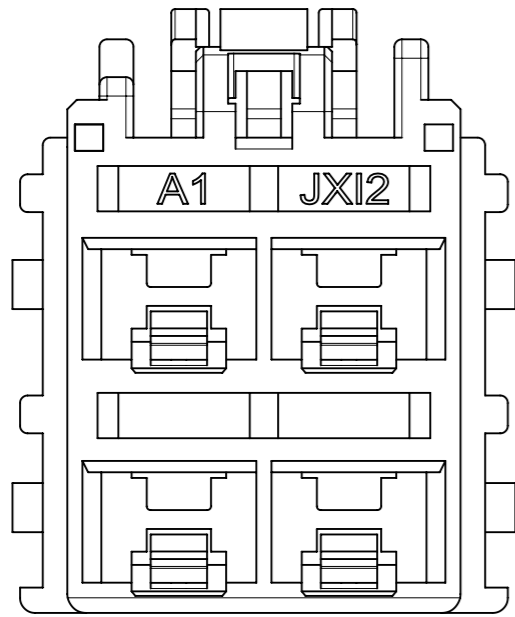


FOR
INFORMATION
USE ONLY

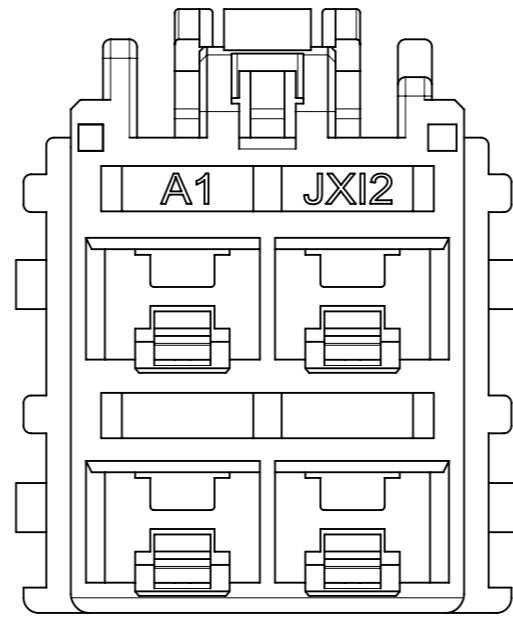
CONFIGURATION	MATERIAL NO.	COLOR
1	2069972200	ORANGE
2	2069972201	BLUE
3	2069972203	YELLOW
4	2069972206	BLACK
5	2069972209	RED
6	2069972211	NATURAL (WHITE)

FUNCTIONAL SYMBOLS	DIMENSION UNITS	SCALE	CURRENT REV DESC:		
$\nabla/A = 0$	mm	5:1	THIS DRAWING CONTAINS INFORMATION THAT IS PROPRIETARY TO MOLEX ELECTRONIC TECHNOLOGIES, LLC AND SHOULD NOT BE USED WITHOUT WRITTEN PERMISSION		
$\nabla/E = 0$	GENERAL TOLERANCES (UNLESS SPECIFIED)				
$\nabla/P = 0$	ANGULAR TOL $\pm 5.0^\circ$				
DIVISIONAL SYMBOLS	4 PLACES	\pm	EC NO:		
	3 PLACES	± 0.2	DRWN: SCHONG03 2021/01/28		
	2 PLACES	± 0.2	CHK'D: JDPARK01 2021/01/28		
	1 PLACE	± 0.2	APPR:		
	0 PLACES	± 0.3	INITIAL REVISION:		
	DRAFT WHERE APPLICABLE MUST REMAIN WITHIN DIMENSIONS		DRWN: SCHONG03 2019/02/18		
	THIRD ANGLE PROJECTION		APPR: YSKIM02 2020/03/19		
	DRAWING		DOCUMENT NUMBER		
	A3-SIZE		2069970000		
	SERIES		DOC TYPE DOC PART REVISION		
	206997		PSD 001 B		
	MATERIAL NUMBER		CUSTOMER		
			SHEET NUMBER		
			2 OF 4		

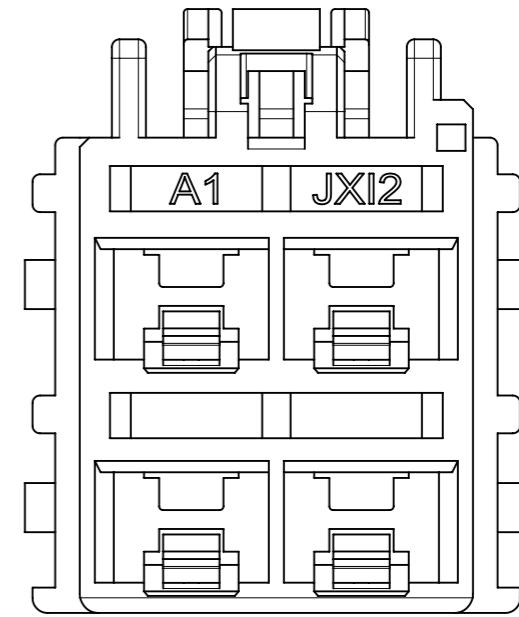
HOUSING WITH POLARIZATION FEATURES AND COLOR FOR 4 CKTS



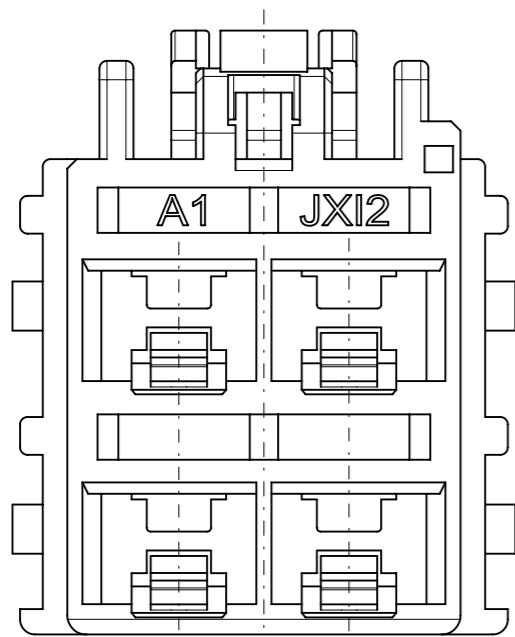
① 2069972401
BLUE



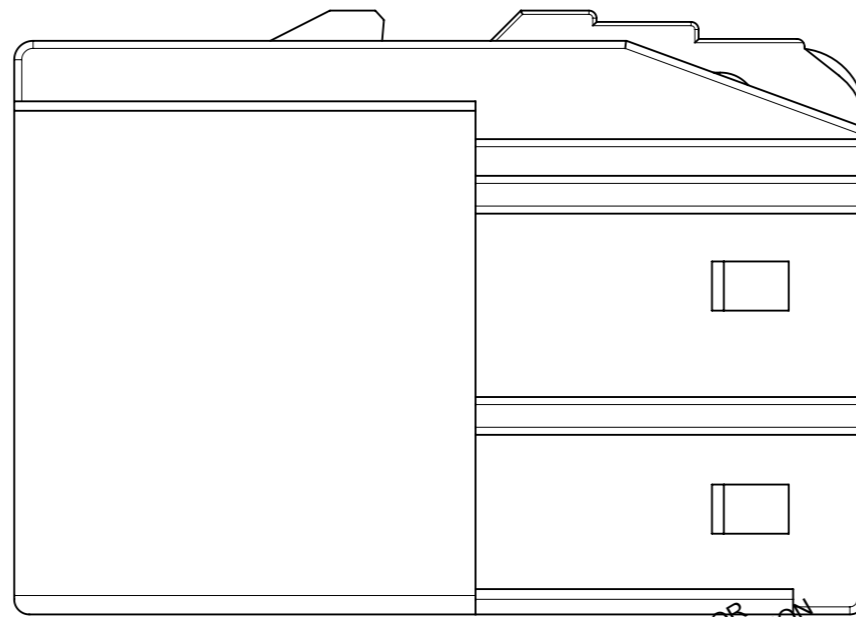
② 2069972406
BLACK



③ 2069972411
NATURAL (WHITE)



4.50

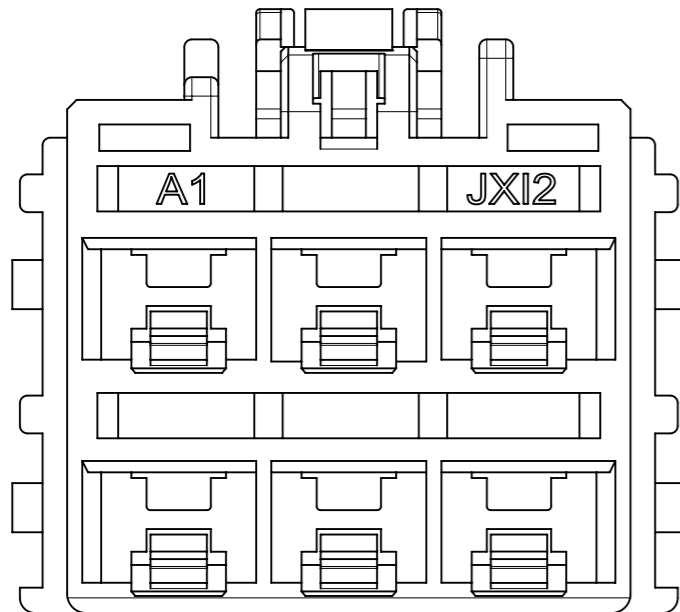


FOR INFORMATION USE ONLY

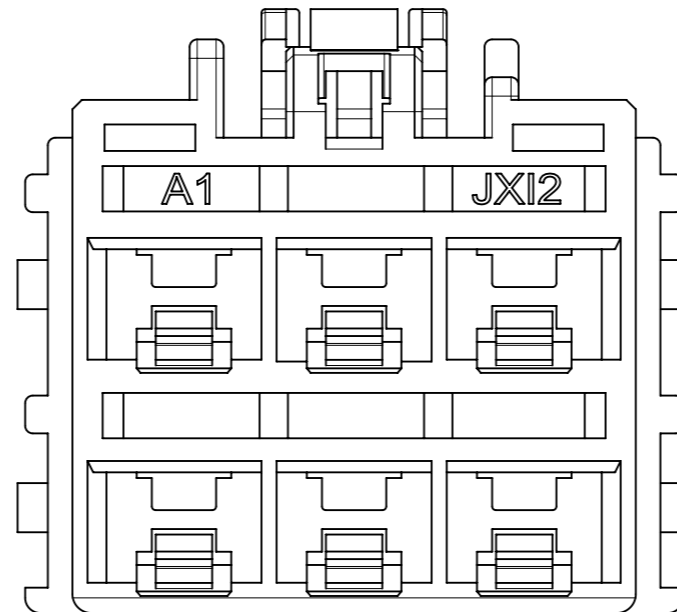
1	2069972401	BLUE
2	2069972406	BLACK
3	2069972411	NATURAL (WHITE)
CONFIGURATION	MATERIAL NO.	COLOR

FUNCTIONAL SYMBOLS $\nabla/A = 0$ $\nabla/E = 0$ $\nabla/P = 0$	THIS DRAWING CONTAINS INFORMATION THAT IS PROPRIETARY TO MOLEX ELECTRONIC TECHNOLOGIES, LLC AND SHOULD NOT BE USED WITHOUT WRITTEN PERMISSION	SCALE 5:1	CURRENT REV DESC:		
	GENERAL TOLERANCES (UNLESS SPECIFIED)	4 PLACES ±	EC NO:		
	ANGULAR TOL ± 5.0°	3 PLACES ± 0.2	DRWN: SCHONG03	2021/01/28	
	DIVISIONAL SYMBOLS	2 PLACES ± 0.2	CHK'D: JDPARK01	2021/01/28	
	1 PLACE ± 0.2	APPR:			
	0 PLACES ± 0.3	INITIAL REVISION:	DRWN: SCHONG03	2019/02/18	
		APPR: YSKIM02	2020/03/19	2069970000	PSD 001 B
	DRAFT WHERE APPLICABLE MUST REMAIN WITHIN DIMENSIONS	THIRD ANGLE PROJECTION	DRAWING	SERIES	MATERIAL NUMBER
			A3-SIZE	206997	CUSTOMER
					SHEET NUMBER
					3 OF 4

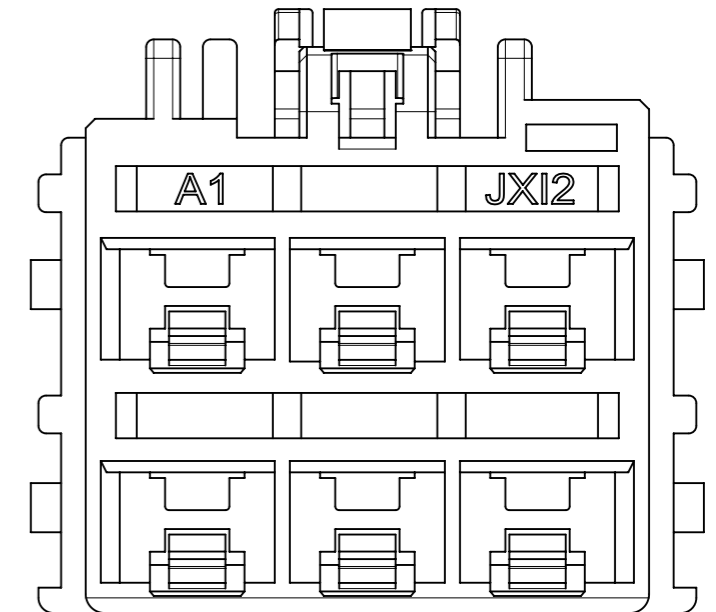
HOUSING WITH POLARIZATION FEATURES AND COLOR FOR 6 CKTS



① 2069972601
BLUE



② 2069972606
BLACK



③ 2069972611
NATURAL (WHITE)

FOR
INFORMATION
USE ONLY

1	2069972601	BLUE
2	2069972606	BLACK
3	2069972611	NATURAL (WHITE)
CONFIGURATION	MATERIAL NO.	COLOR

FUNCTIONAL SYMBOLS $\nabla/A = 0$ $\nabla/E = 0$ $\nabla/P = 0$	THIS DRAWING CONTAINS INFORMATION THAT IS PROPRIETARY TO MOLEX ELECTRONIC TECHNOLOGIES, LLC AND SHOULD NOT BE USED WITHOUT WRITTEN PERMISSION	SCALE		CURRENT REV DESC:			
	DIMENSION UNITS	mm	SCALE	5:1			
	GENERAL TOLERANCES (UNLESS SPECIFIED)						
	ANGULAR TOL $\pm 5.0^\circ$						
DIVISIONAL SYMBOLS 4 PLACES \pm 3 PLACES ± 0.2 2 PLACES ± 0.2 1 PLACE ± 0.2 0 PLACES ± 0.3	EC NO:		2021/01/28				
	DRWN: SCHONG03		2021/01/28				
	CHK'D: JDPARK01						
	APPR:						
INITIAL REVISION:							
DRWN: SCHONG03		2019/02/18					
APPR: YSKIM02		2020/03/19					
DRAFT WHERE APPLICABLE MUST REMAIN WITHIN DIMENSIONS		THIRD ANGLE PROJECTION	DRAWING	SERIES	MATERIAL NUMBER	CUSTOMER	
			A3-SIZE	206997			
molex CP 4.5 PLUG HOUSING PRODUCT CUSTOMER DRAWING				DOCUMENT NUMBER	DOC TYPE	DOC PART	REVISION
				2069970000	PSD	001	B
				SHEET NUMBER	4 OF 4		