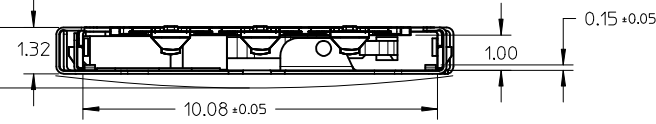


10 9 8 7 6 5 4 3 2 1

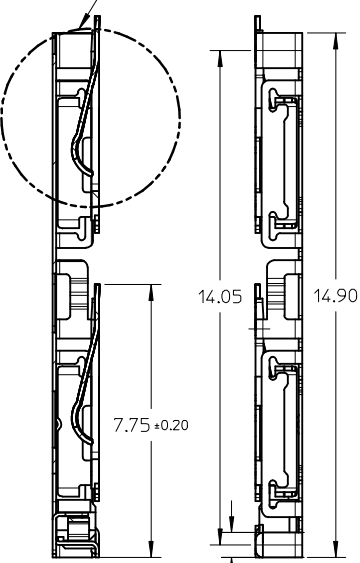
△ (1.50 MAX)
(WITH MAXIMUM CARD)



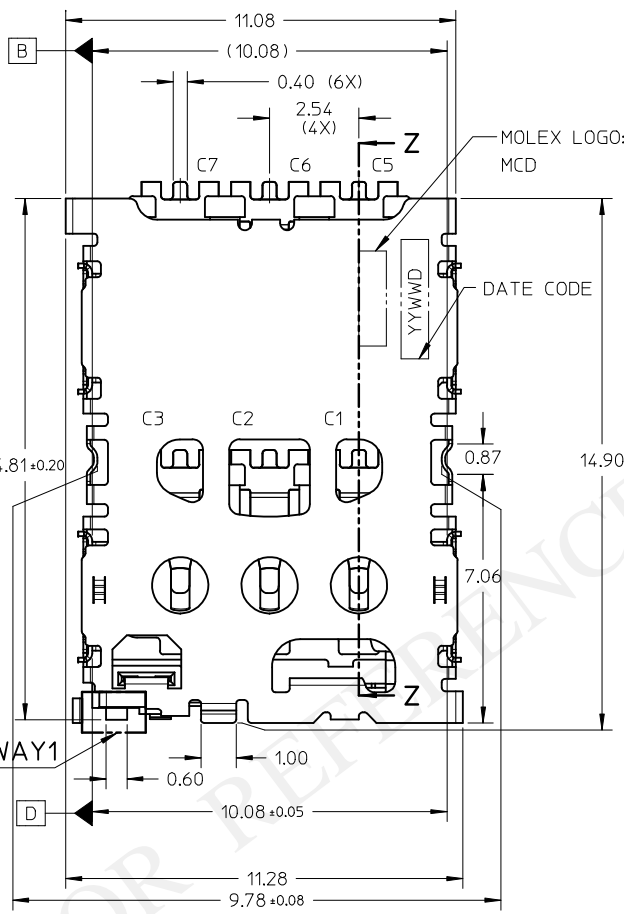
NOTES:

1. MATERIALS:
 - 1.1 CONNECTOR:-
 - INSERT MOLD HOUSING: LCP, GLASS FILLED, UL94V-0, COLOUR BLACK.
 - TERMINAL: TITANIUM COPPER, THICKNESS: 0.12MM
 - DETECT PIN: TITANIUM COPPER, THICKNESS: 0.12MM
 - SHELL: STAINLESS STEEL, THICKNESS: 0.10MM
 - 2. PLATING FINISHES:
 - 2.1 TERMINAL:-
 - CONTACT: 0.38um MIN. GOLD ON CONTACT AREA OVER 2.00um MIN. NICKEL UNDERPLATE.
 - SOLDERTAIL: 0.025um MIN. GOLD FLASH OVER 2.00um MIN. NICKEL UNDERPLATE.
 - 2.2 SHELL:-
 - CONTACT: 0.05um MIN. GOLD ON CONTACT AREA OVER 2.00um MIN. NICKEL UNDERPLATE.
 - SOLDERTAIL: 0.025um MIN. GOLD FLASH OVER 2.00um MIN. NICKEL UNDERPLATE.
 - 2.3 DETECT PIN:-
 - CONTACT: 0.127um MIN. GOLD ON CONTACT AREA OVER 2.00um MIN. NICKEL UNDERPLATE.
 - SOLDERTAIL: 1.27um MIN. MATTE TIN OVER 2.00um MIN. NICKEL UNDERPLATE.
 - 3. PRODUCT SPECIFICATION: PS-151073-0001
 - 4. PACKAGING SPECIFICATION: PK-151073-0001
 - 5. OVERALL (SOLDERTAIL & SOLDERTAB) COPLANARITY 0.08MM MAX. BEFORE REFLOW.
 - 6. CONNECTOR TO BE USED TOGETHER WITH MOLEX NANO SIM CARD TRAY ONLY.
 - △ DIMENSION INCLUSIVE OF BULGE
 - 8. CUSTOMER STENCIL THICKNESS: 0.10 ~ 0.12mm AND STENCIL OPENING: 1:1 MIN , 1:1.5 MAX

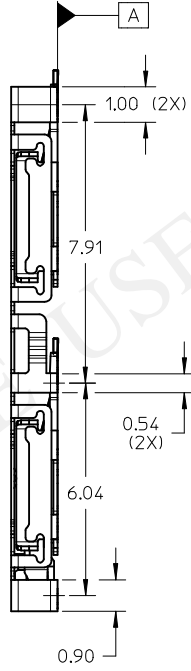
DETAIL1



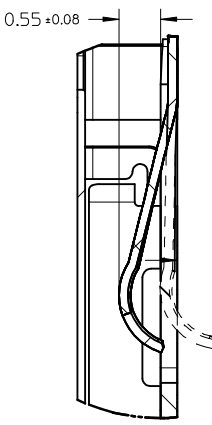
SECTION Z-Z



CUTAWAY1



A



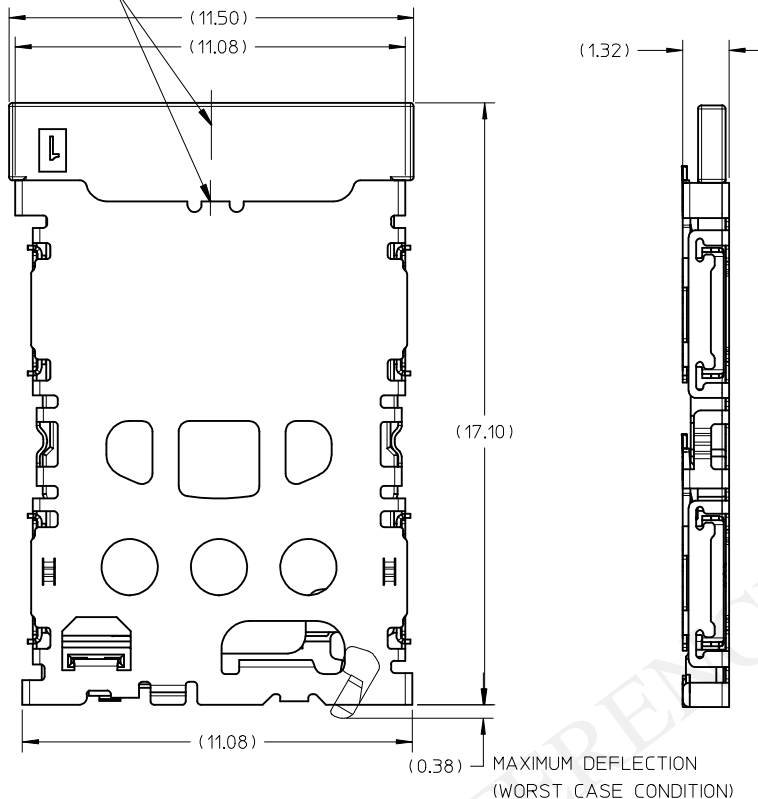
DETAIL1

PRELIM. RELEASE EC NO: S2016-0054 DRWNS: SCHEONG 2015/07/07 CHKD: APPR: SCHEONG 2015/07/14 REV	QUALITY SYMBOLS $\nabla F = 0$ $\nabla F = 6$ $\nabla F = 0$	GENERAL TOLERANCES (UNLESS SPECIFIED) mm INCH 4 PLACES ± --- ± --- 3 PLACES ± --- ± --- 2 PLACES ± 0.10 ± --- 1 PLACE ± --- ± --- 0 PLACE ± --- ± --- ANGULAR ± 3 ° DRAFT WHERE APPLICABLE MUST REMAIN WITHIN DIMENSIONS	DIMENSION STYLE MM ONLY DRAWN BY SCHEONG DATE 2015/07/07 CHECKED BY DATE APPROVED BY SCHEONG DATE 2015/07/14 MATERIAL NO. SEE TABLE SIZE A3	SCALE NTS DESIGN UNITS METRIC THIRD ANGLE PROJECTION TITLE NANO SIM CONNECTOR 1.32MM HEIGHT WITH TRAY AND DETECT PIN molex DOCUMENT NO. SD-151073-0010 SHEET NO. 1 OF 3
	THIS DRAWING CONTAINS INFORMATION THAT IS PROPRIETARY TO MOLEX INCORPORATED AND SHOULD NOT BE USED WITHOUT WRITTEN PERMISSION			

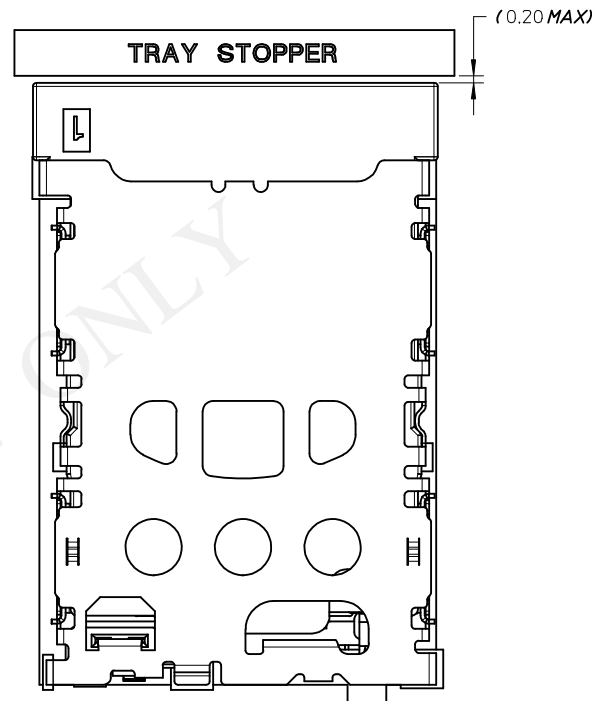
9 8 7 6 5 4 3 2 1

10 9 8 7 6 5 4 3 2 1

CENTRELINES OF TRAY AND CONNECTOR OPENING ARE THE SAME



CONNECTOR WITH TRAY



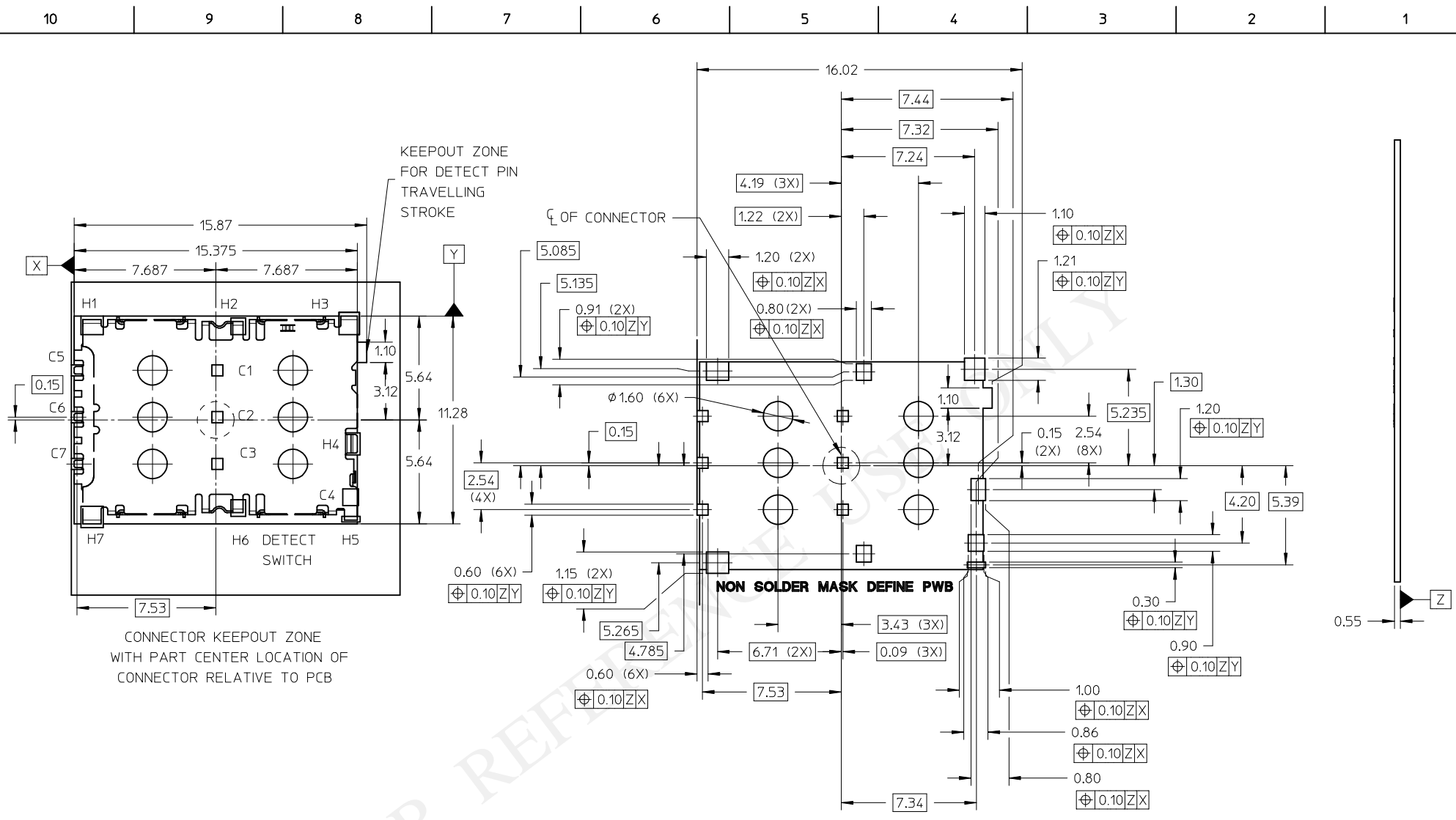
SYSTEM LEVEL

DESCRIPTION	PART NUMBER
CONNECTOR	151073-0001
NANO SIM CARD TRAY	151073-0030

CARD INSERTION STATE	DETECT SWITCH CIRCUIT STATE	SCHEMATIC
CARD MATED	OPENED	
CARD UNMATED	CLOSED	

PRELIM. RELEASE EC NO: S2016-0054 DRWNS: SCHEONG 2015/07/07 CHKD: APPR: SCHEONG 2015/07/14	QUALITY SYMBOLS $\nabla = 0$ $\nabla = 0$ $\nabla = 0$	GENERAL TOLERANCES (UNLESS SPECIFIED)		DIMENSION STYLE MM ONLY	SCALE NTS	DESIGN UNITS METRIC	THIRD ANGLE PROJECTION																			
			<table border="1"> <thead> <tr> <th></th> <th>mm</th> <th>INCH</th> </tr> </thead> <tbody> <tr> <td>4 PLACES</td> <td>± ---</td> <td>± ---</td> </tr> <tr> <td>3 PLACES</td> <td>± ---</td> <td>± ---</td> </tr> <tr> <td>2 PLACES</td> <td>± 0.10</td> <td>± ---</td> </tr> <tr> <td>1 PLACE</td> <td>± ---</td> <td>± ---</td> </tr> <tr> <td>0 PLACE</td> <td>± ---</td> <td>± ---</td> </tr> </tbody> </table>		mm	INCH	4 PLACES	± ---	± ---	3 PLACES	± ---	± ---	2 PLACES	± 0.10	± ---	1 PLACE	± ---	± ---	0 PLACE	± ---	± ---	DRAWN BY SCHEONG	DATE 2015/07/07	TITLE NANO SIM CONNECTOR 1.32MM HEIGHT WITH TRAY AND DETECT PIN		
			mm	INCH																						
		4 PLACES	± ---	± ---																						
3 PLACES	± ---	± ---																								
2 PLACES	± 0.10	± ---																								
1 PLACE	± ---	± ---																								
0 PLACE	± ---	± ---																								
	ANGULAR ± 3°	CHECKED BY SCHEONG	DATE 2015/07/14	APPROVED BY SCHEONG																						
DRAFT WHERE APPLICABLE MUST REMAIN WITHIN DIMENSIONS	MATERIAL NO. SEE TABLE	DOCUMENT NO. SD-151073-0010	SHEET NO. 2 OF 3																							

9 8 7 6 5 4 3 2 1



RECOMMENDED PWB LAYOUT
 (NON SOLDER MASK DEFINE PWB)
 PWB TOLERANCE: ±0.05MM

PRELIM. RELEASE EC NO: S2016-0054 DRWN: SCHEONG CHKD: APPR: SCHEONG	DESCRIPTION 2015/07/07 2015/07/14	QUALITY SYMBOLS $F=0$ $F=0$ $F=0$		GENERAL TOLERANCES (UNLESS SPECIFIED)		DIMENSION STYLE MM ONLY		SCALE NTS	DESIGN UNITS METRIC	THIRD ANGLE PROJECTION
		4 PLACES ± --- ± --- 3 PLACES ± --- ± --- 2 PLACES ± 0.10 ± --- 1 PLACE ± --- ± --- 0 PLACE ± --- ± ---	mm INCH	DRAWN BY SCHEONG	DATE 2015/07/07	TITLE NANO SIM CONNECTOR 1.32MM HEIGHT WITH TRAY AND DETECT PIN				
		ANGULAR ± 3 °		CHECKED BY	DATE	molex				
		DRAFT WHERE APPLICABLE MUST REMAIN WITHIN DIMENSIONS		APPROVED BY SCHEONG	DATE 2015/07/14	MATERIAL NO. SEE TABLE	DOCUMENT NO. SD-151073-0010	SHEET NO. 3 OF 3		

THIS DRAWING CONTAINS INFORMATION THAT IS PROPRIETARY TO MOLEX INCORPORATED AND SHOULD NOT BE USED WITHOUT WRITTEN PERMISSION