

# 40x40x15 mm

San Ace 40 9P type   



## General Specifications

- Material ..... Frame: Plastic (Flammability: UL 94V-0), Impeller: Plastic (Flammability: UL 94V-1)
- Expected life ..... See the table below. (L10 life: 90% survival rate for continuous operation in free air at 60°C, rated voltage)
- Motor protection function ..... Locked rotor burnout protection, Reverse polarity protection  
For details, please refer to p. 547.
- Dielectric strength ..... 50/60 Hz, 500 VAC, for 1 minute (between lead wire conductors and frame)
- Insulation resistance ..... 10 MΩ or more with a 500 VDC megger (between lead wire conductors and frame)
- Sound pressure level (SPL) ..... At 1 m away from the air inlet
- Storage temperature ..... -30 to +70°C (Non-condensing)
- Lead wire ..... ⊕Red ⊖Black or Blue (Sensor) Yellow
- Mass ..... 32 g

## Specifications

The models listed below **have ribs and pulse sensors.**

Model no.	Rated voltage [V]	Operating voltage range [V]	Rated current [A]	Rated input [W]	Rated speed [min <sup>-1</sup> ]	Max. airflow [m <sup>3</sup> /min] [CFM]	Max. static pressure [Pa] [inchH <sub>2</sub> O]	SPL [dB (A)]	Operating temperature [°C]	Expected life [h]	
<b>109P0405H701</b>	5	4.5 to 5.5	0.28	1.4	7700	0.18 6.4	75.5 0.303	28	-20 to +60	60000/60°C	
<b>109P0405M701</b>			0.21	1.05	6500	0.15 5.3	52.9 0.213	24			
<b>109P0412R701</b>	12	7 to 13.8	0.13	1.56	9700	0.227 8.0	111.9 0.449	34		-20 to +70	60000/60°C
<b>109P0412S701</b>			0.18	2.16	8600	0.2 7.06	92.1 0.369	32			
<b>109P0412H701</b>			0.13	1.56	7700	0.18 6.4	75.5 0.303	28			
<b>109P0412M701</b>			0.095	1.14	6500	0.15 5.3	52.9 0.213	24			
<b>109P0424H701</b>			24	20.4 to 27.6	0.08	1.92	7700	0.18 6.4	75.5 0.303		

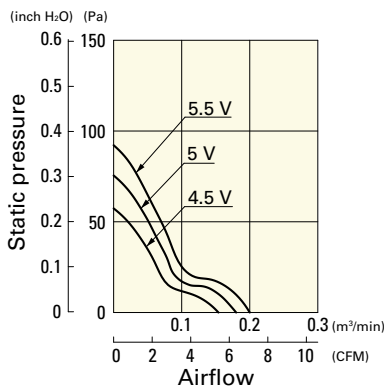
The following sensor and control options are available for selection.

Available for all models. Without sensor Lock sensor

## Airflow - Static Pressure Characteristics

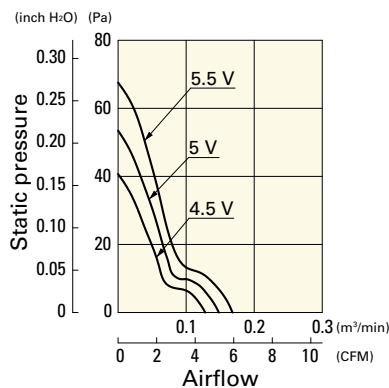
**109P0405H701** With pulse sensor

Operating voltage range



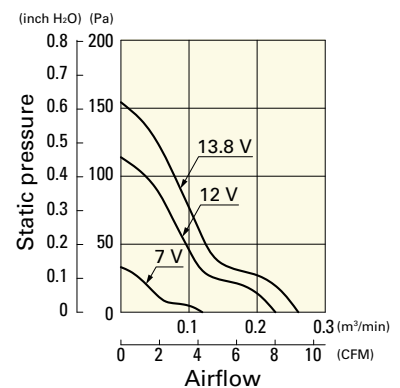
**109P0405M701** With pulse sensor

Operating voltage range



**109P0412R701** With pulse sensor

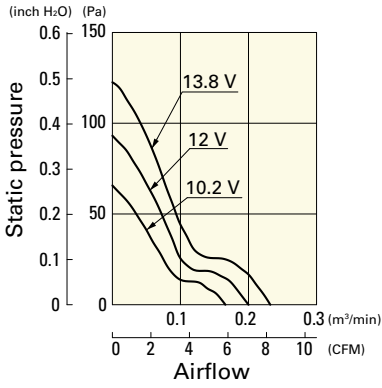
Operating voltage range



## Airflow - Static Pressure Characteristics

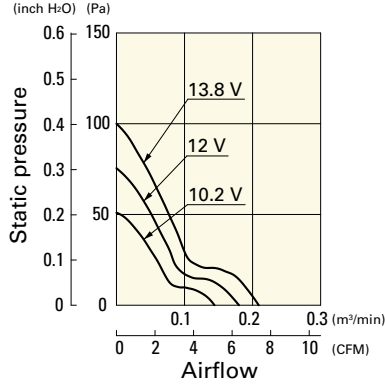
**109P0412S701** With pulse sensor

Operating voltage range



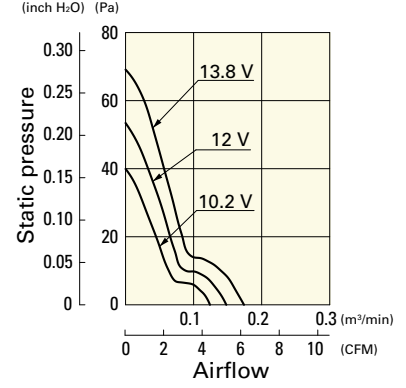
**109P0412H701** With pulse sensor

Operating voltage range



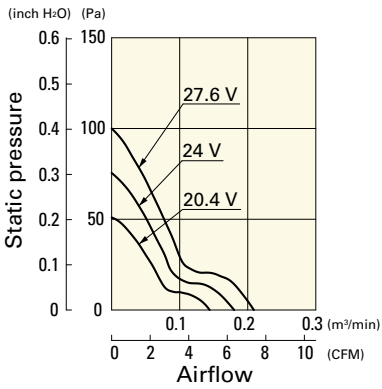
**109P0412M701** With pulse sensor

Operating voltage range

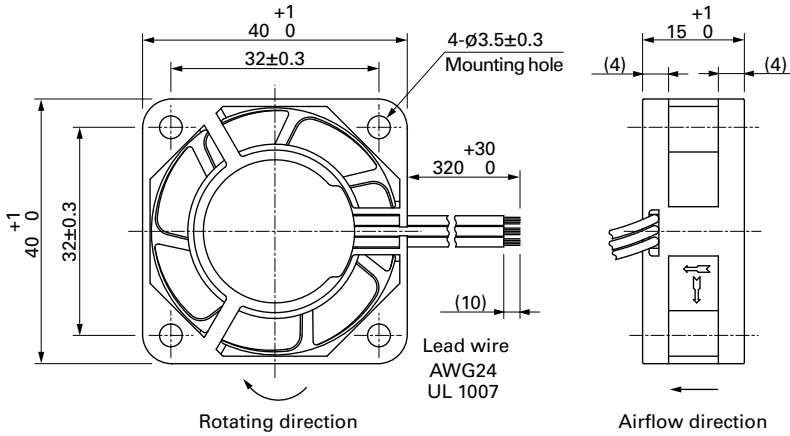


**109P0424H701** With pulse sensor

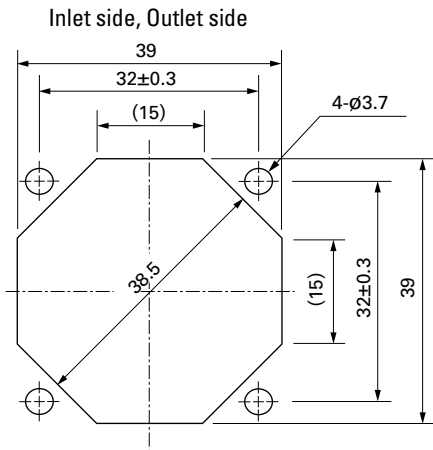
Operating voltage range



## Dimensions (unit: mm)



Reference Dimensions of Mounting Holes and Vent Opening (unit: mm)



Options

Finger guards

page: p. 532

Model no.: 109-059, 109-059H