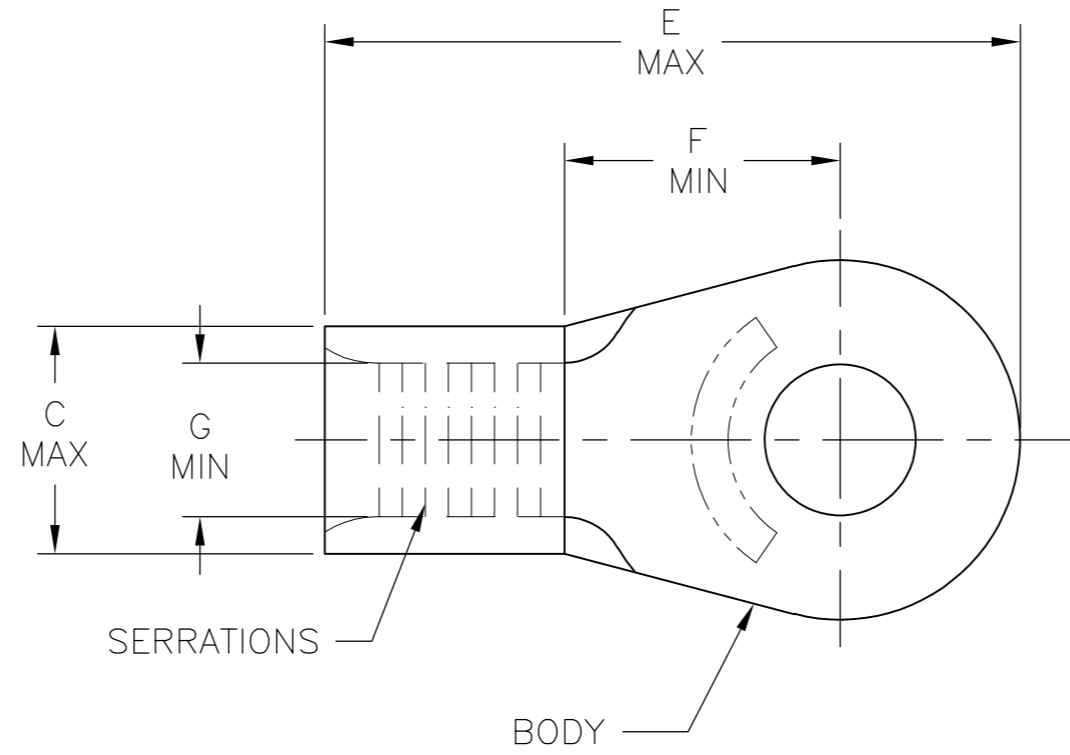
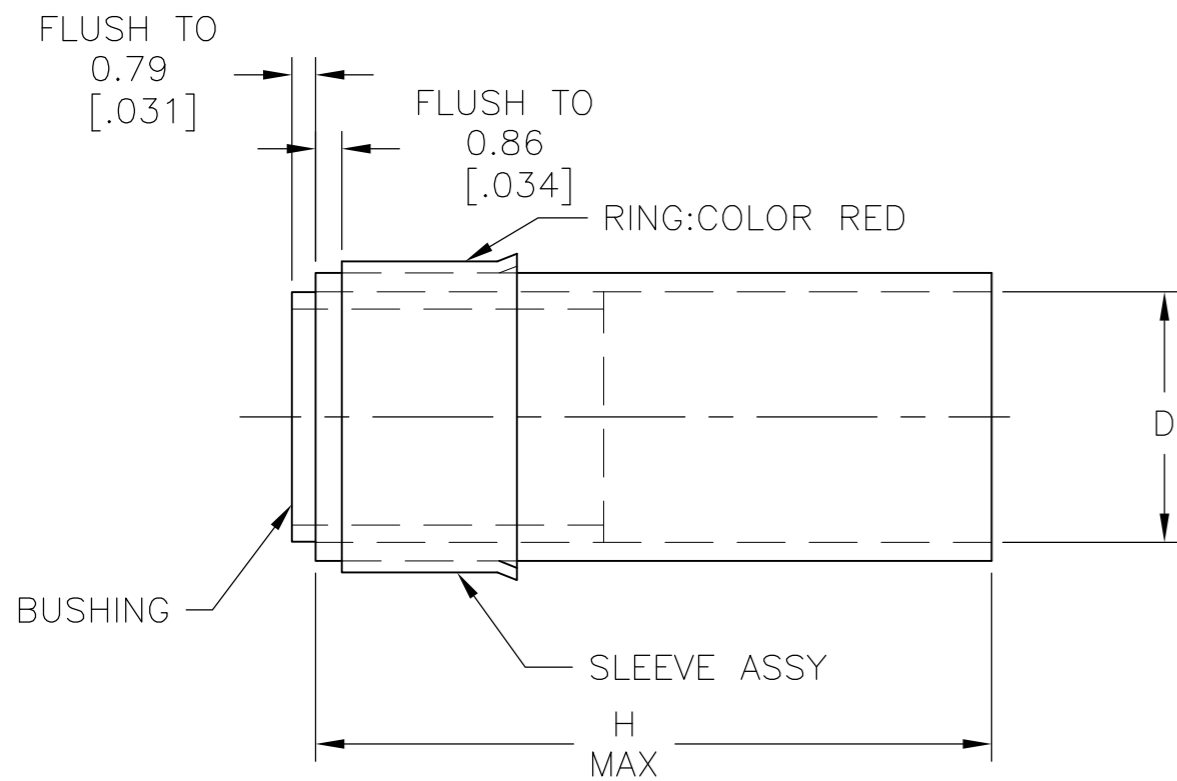
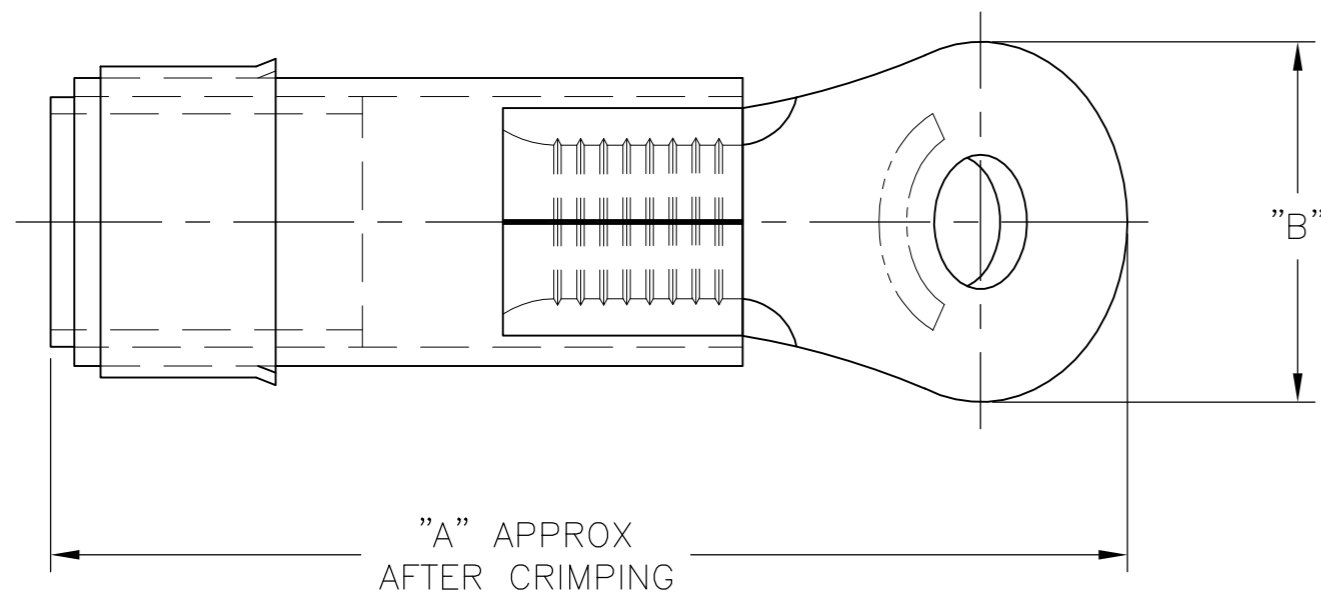


THIS DRAWING IS UNPUBLISHED. RELEASED FOR PUBLICATION
 © COPYRIGHT - By - ALL RIGHTS RESERVED.

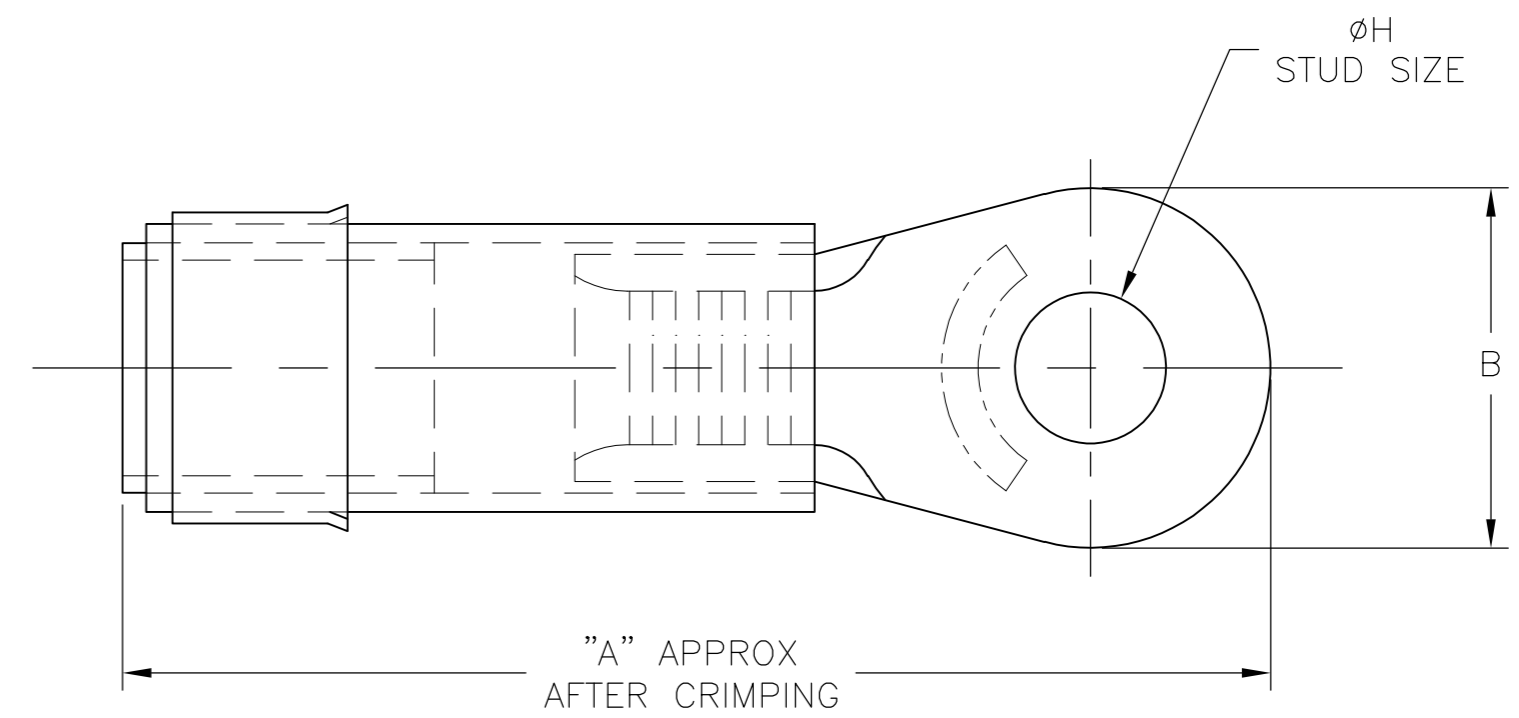
LOC	DIST	REVISIONS					
		P	LTR	DESCRIPTION	DATE	DWN	APVD
G	05		J3	REVISED PER ECO-13-019174	06DEC2013	KH	DR



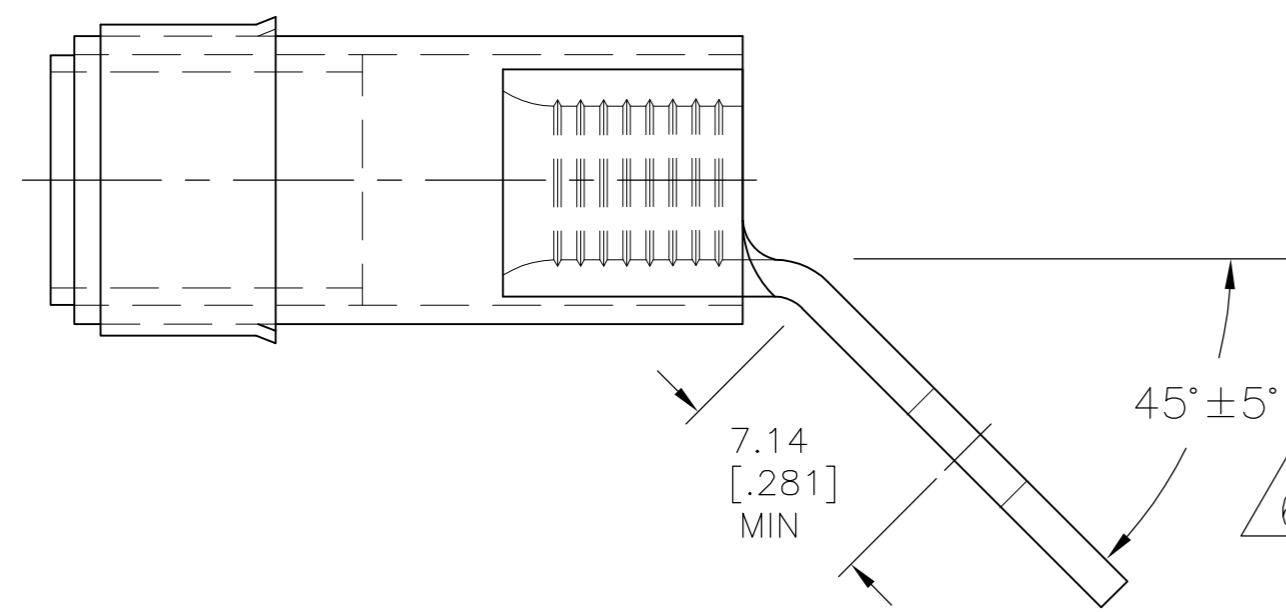
- 1 MATERIAL:
 TERMINAL: COPPER (ASTM B152)
 RING: ALUMINUM (ASTM B209)
 INSULATION: PTFE (ASTM D3295)
- 2 FINISH:
 GOLD PL ASTM B488 TYPE I 0.0013 [.000050]
 MIN THK OVER NICKEL PL (SAE AMS QQ-N-290)
 0.00076 [.000030] MIN EXT THK
- 3 FOR WIRE INS DIA SEE TABLE
- 4 TONGUE MATERIAL THK: 1.22±0.08 [.048±.003]
- 5 NICKEL PLATE 0.0076 [.00030] MIN EXT THK PER SAE AMS QQ-N-290
- 6 PRELIMINARY PART



329580-1



329580



6	5	-	-	4.37	7.52	1958449-1	1	22.35	8.28	5.46-6.48	329626	11.91	35.60	4.34±0.08	8	8	329580-1
		9.12	23.72	[.172]	[.296]	328601	1	22.35	8.28	5.46-6.48	329626	11.91	39.62	5.00±0.08	10	8	329580
		[.359]	[.934]					[.880]	[.326]	[.215-.255]		[.469]	[1.402]	[.171±.003]			
		F	E	G	C	BODY	BUSHING REQD	H	D	INSUL DIA	SLEEVE ASSY	B	A	ØH	STUD	SIZE	ASSY NO.

THIS DRAWING IS A CONTROLLED DOCUMENT.

DWN	KIRAN HOLAL	1.3APR13
CHK	ROHDE DANIEL	1.3APR13
APVD	ROHDE DANIEL	1.3APR13
PRODUCT SPEC		
APPLICATION SPEC		
WEIGHT	-	
CUSTOMER DRAWING		

TE Connectivity

WIRE TERMINAL ASSY,
 POST INSULATED, STRATO-THERM
 HEAT RESISTANT, 8 AWG

SIZE	A2	CAGE CODE	00779	DRAWING NO	C=329580	RESTRICTED TO	-
SCALE	4:1	SHEET	1 of 1	REV	J3		