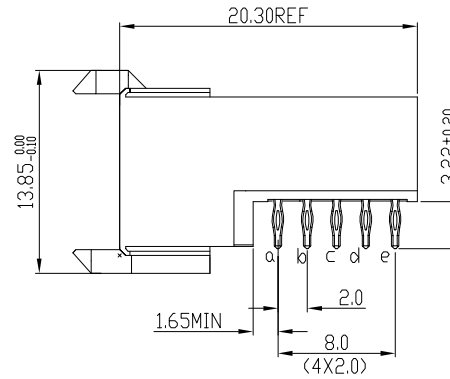
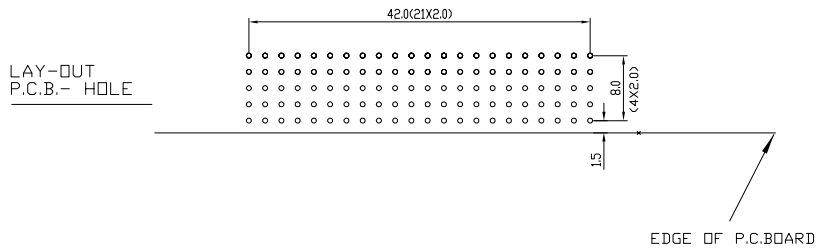
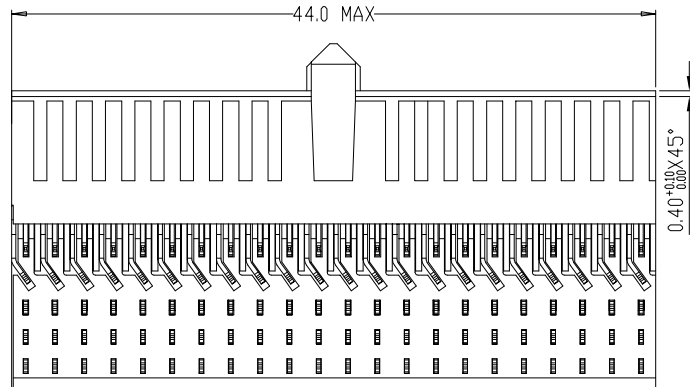
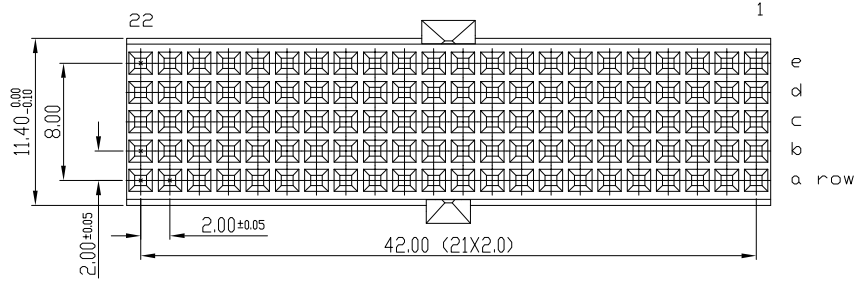


Tous droits strictement reserves. Reproduction ou communication a des tiers interdite sous quelque forme que ce soit sans autorisation ecrite du proprietaire. Propriete de c FCI. Droits de reproduction FCI.



All rights strictly reserved. Reproduction or issue to third parties in any form whatever is not permitted without written authority from the proprietor. Property of FCI. Copyright FCI.



PERFORMANCE CHARACTERISTICS

CURRENT RATING: 1.5 A AT 20°C (FULLY LOADED)  
 1 A AT 70°C (FULLY LOADED)  
 RATED VOLTAGE: 500 V AC (CONT /CONT)  
 OPERATING TEMPERATURE : -55°C TO 125°C  
 CONTACT RESISTANCE : 20 mΩ MAX  
 INSERTION FORCE: 0.75N MAX/CONT  
 EXTRACTION FORCE : 0.15N MIN /CONT  
 INSULATION RESISTANCE: 10<sup>4</sup> MΩ MIN

NOTES

- LEAD FREE INDICATOR :LF=LEAD FREE
- PERFORMANCE LEVEL INDICATOR (REF DWG NO.BS.C.201844.003)
- THIS PRODUCT IS CSA APPROVED. THIS PRODUCT IS UL RECOGNIZED.
- FOR RECOMMENDED PTH DIMENSIONS REFER DRAWING :BS.A.201572.001
- THIS PRODUCT (LF) MEETS EUROPEAN UNION DIRECTIVES AND OTHER COUNTRY REGULATIONS AS DESCRIBED IN GS-22-008

rev	ecn no	dr	date
A	conversion version 13	KN	14-09-01
B	ECB10088	MF	20-10-01
C	I05-0082	ALEX	01-06-05
D	DG05-0278	Kason	02-08-05
E	DG07-0362	Kason	05-09-07
F	DG10-0110	NZ	05-30-10

Material		Spec ref		
Mat code		tolerance 1DEC+02 1DEC 2DEC + 01 2DEC ANGLES+1* HDEREN	projection 	MM ↔
Heat treat				
Plating/Finish		size A4	Scale 1.500	
Dr	N.OTTO 06-05-99			
Eng		Product family		MILLIPICS
Chr		Model Name		ECN
Appr		Model Revision		REL Level
		title		MPACS 5+2R RA RCP CONN TYPE AB
Pro/E file		catalog no	HM2R66PA5100----	CUSTOMER
		dwg no	BS,C ,201418,041	Rev. F
		sheet 1 of 1		