

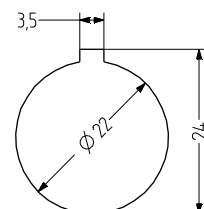
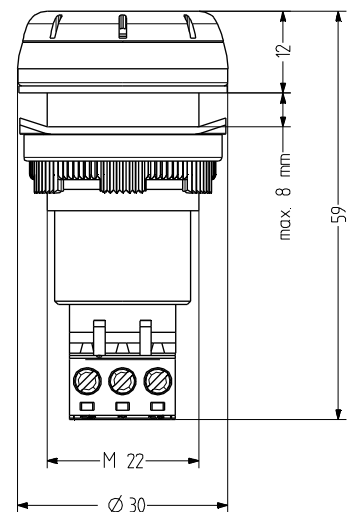
ESV Panel mount buzzer

- Ø 30 mm panel-mount buzzer
- Max. 85 dB (A) sound pressure
- High degree of protection IP 65
- Panel size Ø 22.5 mm/M22
- 2 easily distinguishable tones
- User-friendly connection technology
- For industrial and general applications
- Adapter available for M30.5 mm panel size



TECHNICAL DATA

| | |
|-----------------------|--|
| Housing | Ø 30 mm Polycarbonate black (RAL 9005) or grey (RAL 7035) |
| Type of mounting | any |
| Panel size | 22 mm (M22) and 30.5 mm (with adapter) |
| Connection technology | plug-in screw terminal bis 2,5 mm ² |
| Leakage current | 0,003 A |
| Tone | 2 Tones, 2 Tones can be switched externally, Steady tone or Pulsing tone |
| Volume | 85 dB |
| Tone frequency | 3.500 Hz |
| Duty cycle | 100 % |
| Operating temperature | -25 °C / +60 °C |
| Degree of protection | IP65 & UL Type 4/4x/13 |
| Weight | 30 g |



ESV

ORDER DATA

| Nominal voltage | Voltage range (V) | Nominal current (A) | Mains frequency | Housing colour | |
|-----------------|-------------------|---------------------|-----------------|----------------|-------------|
| | | | | grey | black |
| 12-24 V AC/DC | 10-24 | 0,040 | 50-60 Hz | 812 110 405 | 812 510 405 |
| 110-120 V AC | 75-140 | 0,035 | 50-60 Hz | 812 110 310 | 812 510 310 |
| 110-120 V DC | +/- 10 % | 0,011 | 50-60 Hz | 812 110 010 | 812 510 010 |
| 230 V AC | 150-260 | 0,035 | 50-60 Hz | 812 110 313 | 812 510 313 |



ADM30



WZ30

ACCESSORIES

| Type | Type of accessory | Weight | Order number |
|-------|-------------------------------------|--------|--------------|
| ADM30 | Adapter for M30.5 for 30.5 mm holes | 8 g | 812 500 900 |
| WZ30 | Mounting tool for 30 mm models | | 812 400 900 |

tone TABLE

Tone on terminal

| La | N | Lb | |
|----|---|----|-----------------|
| X | X | | pulsing tone |
| X | X | X | continuous tone |