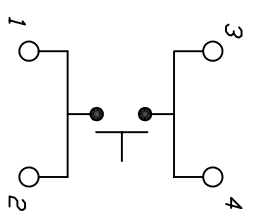
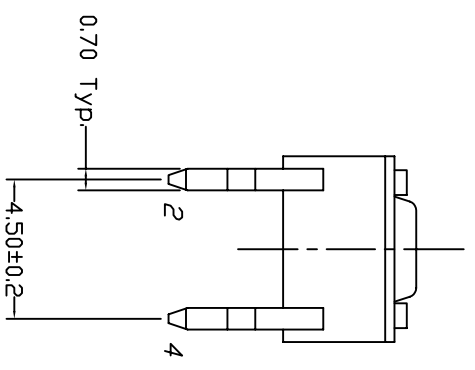
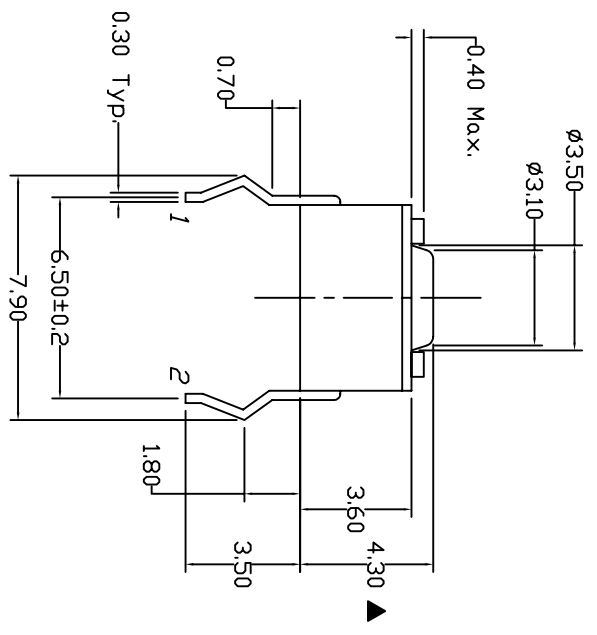


RECOMMEND P.C.B. LAYOUT

- NOTES:
1. ALL DIMENSIONS IN MM
 2. GENERAL TOLERANCE: 0.0=±0.4
0.00=±0.25
 3. TERM. NOS. FOR REF. ONLY
 4. RATING: 50mA, @12V DC
 5. TRAVEL: 0.25±0.1mm
 6. CONTACT RESISTANCE: 50m ohms max initial. MOS & TTC COMPATIBLE
 7. ELECTRICAL LIFE: 5,000,000 CYCLES MIN.
 8. INSULATION RESISTANCE: 100M ohms min.
 9. DIELECTRIC STRENGTH: 250VA
 10. OPERATING TEMP.: -30°C to -85°C
 11. ▲ DENOTES CRITICAL PARAMETER
 12. CONTACTS: SILVER PLATED
 13. OPERATING FORCE 45/85 GRAMS



CIRCUIT: SPST
CONTACT CONFIGURATION

REV.	ECN No.	DESCRIPTION	DATE	CHKD
A	15974	NEW PART RELEASE	4/18/06	CT

THE INFORMATION CONTAINED IN THIS DOCUMENT IS PROPRIETARY TO E-SWITCH AND IS NOT TO BE COPIED OR TRANSFERRED

TITLE		SCALE		DR	DWG	REV
LL1105F065Q		4:1		CT	P090000	A

