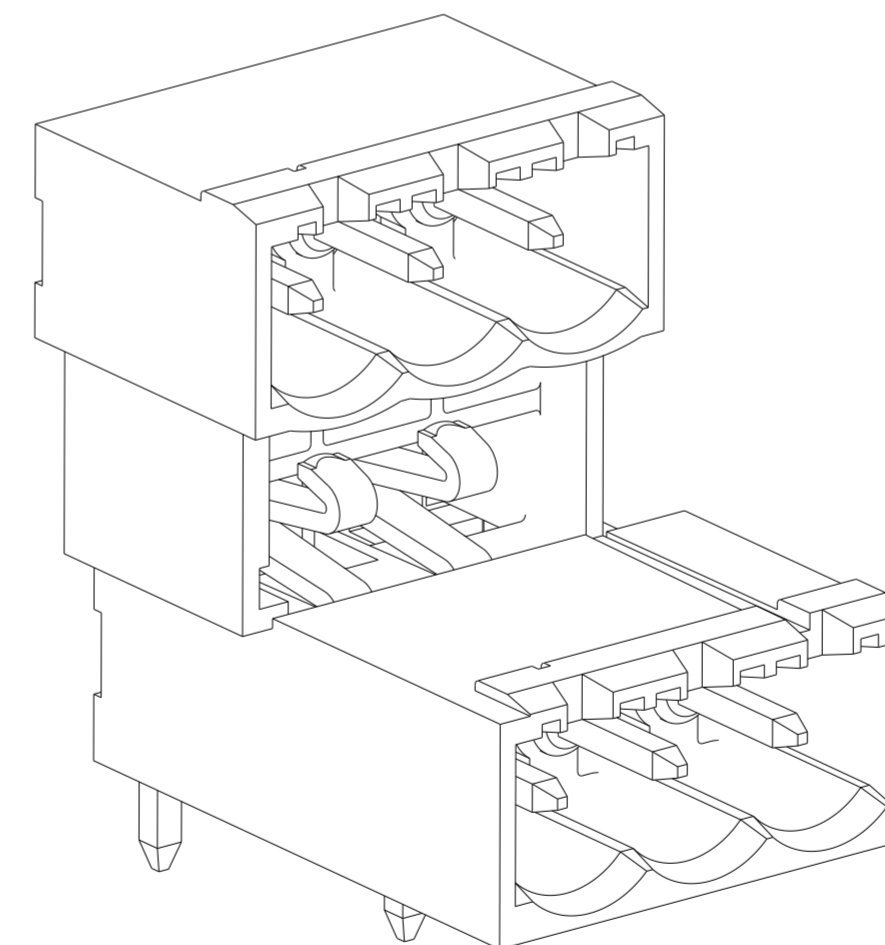
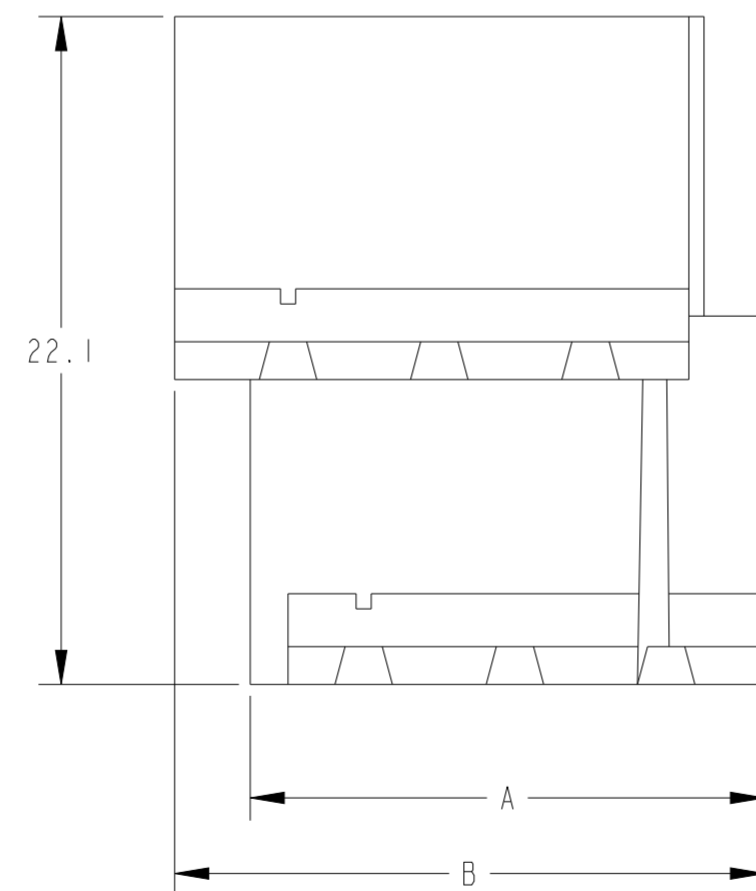
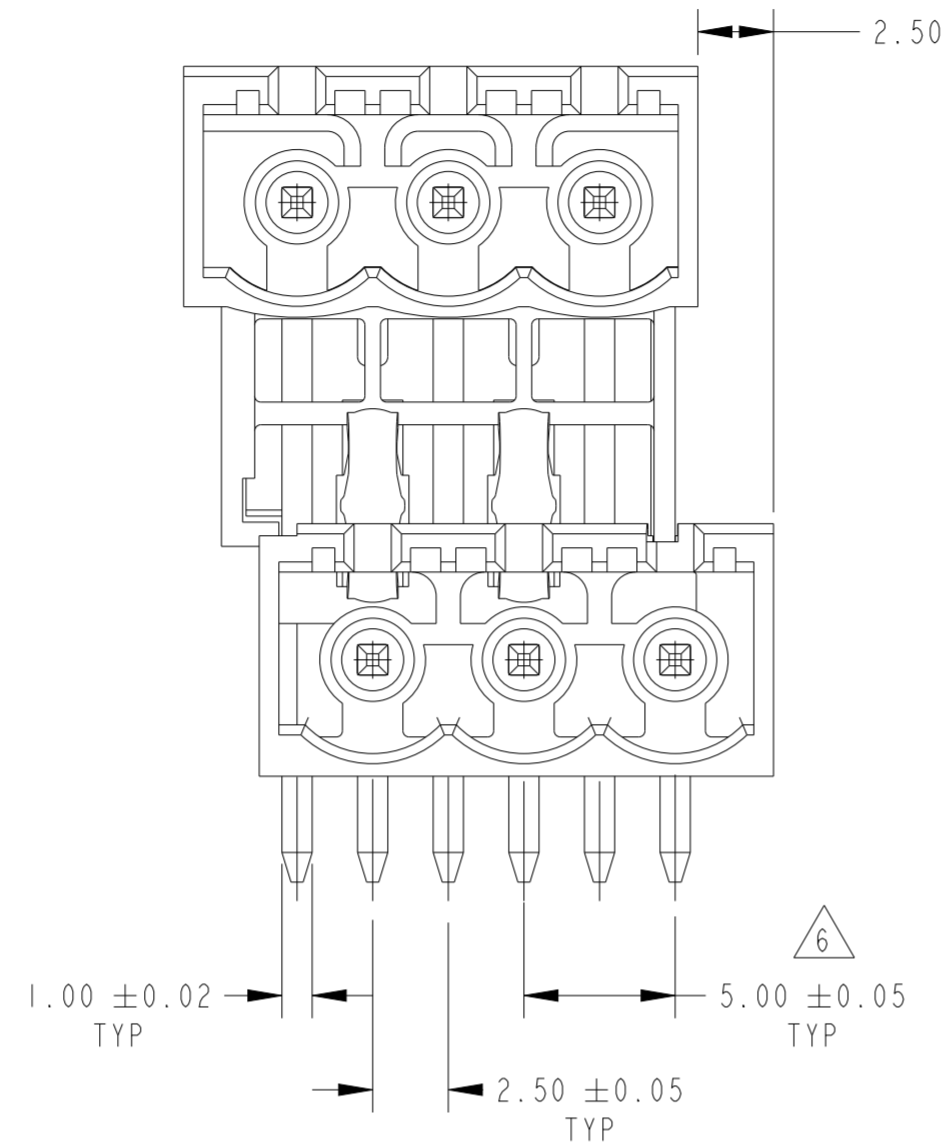
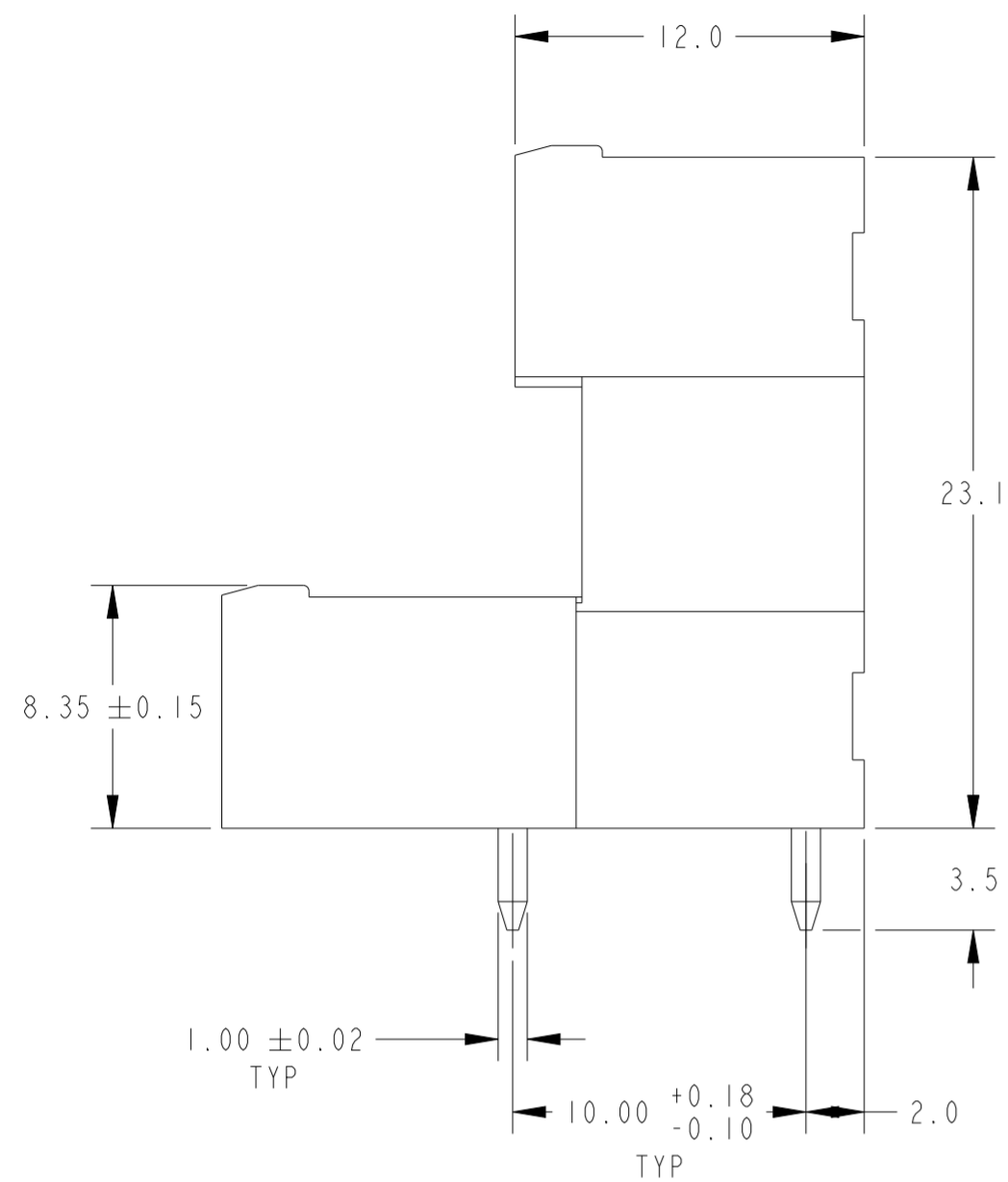


P	LTR	DESCRIPTION	DATE	DWN	APVD
R		DESIGN IMPROVEMENT IN NEW MOLD	09JUN2020	DV	PS
S		REVISED AS PER PCN: E-20-012263	10NOV2021	SCB	SS



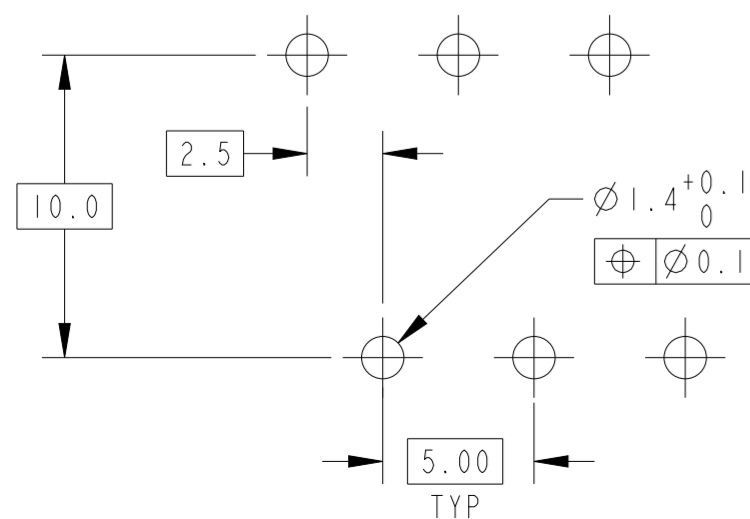
1776166-3 AS SHOWN

NOTES

- MATERIALS AND FINISH
HOUSING : HIGH TEMPERATURE POLYAMIDE, UL 94V-0 RATED, COLOR: BLACK.
TERMINAL : COPPER ALLOY, TIN PLATED.
- SUITABLE FOR 1.6-2.4mm PC BOARD THICKNESS.
- ELECTRICAL
RATED VOLTAGE : 300 V
RATED CURRENT : 12 A
CONTACT RESISTANCE : < 15 mΩ
INSULATION RESISTANCE: > 1000 MΩ (500V DC)
- OPERATING TEMPERATURE RANGE: -40°C TO +110°C
- P/Ns FROM 1776166-4 TO 1776166-8 ARE OBTAINED BY ASSEMBLING 1776166-2 AND 1776166-3 TO ACHIEVE THE DESIRED NUMBER OF POSITIONS.

△ 6 NON CUMULATIVE TOLERANCE

RECOMMENDED PC BOARD LAYOUT



44.50	42.00	8	1776166-8
39.50	37.00	7	1776166-7
34.50	32.00	6	1776166-6
29.50	27.00	5	1776166-5
24.50	22.00	4	1776166-4
19.50	17.00	3	1776166-3
14.50	12.00	2	1776166-2
B	A	NO OF POS	PART NUMBER

THIS DRAWING IS A CONTROLLED DOCUMENT.		DWN S. WELDON 19JUL2005	TE Connectivity			
DIMENSIONS: mm		CHK C. RICHARD 19JUL2005				
TOLERANCES UNLESS OTHERWISE SPECIFIED:		APVD C. RICHARD 19JUL2005				
0 PLC ±	1 PLC ±0.3	PRODUCT SPEC -	NAME TERMINAL BLOCK HEADER ASSEMBLY, MULTIPLE, 90 DEGREE, CLOSED ENDS, 5.00mm PITCH			
2 PLC ±0.25	3 PLC ±	APPLICATION SPEC 114-20079	SIZE A2	CAGE CODE 00779	DRAWING NO C-1776166	RESTRICTED TO
4 PLC ±	ANGLES ±2°	WEIGHT -	SCALE 4:1		SHEET 1 OF 1	REV S
MATERIAL SEE NOTES	FINISH SEE NOTES	CUSTOMER DRAWING				