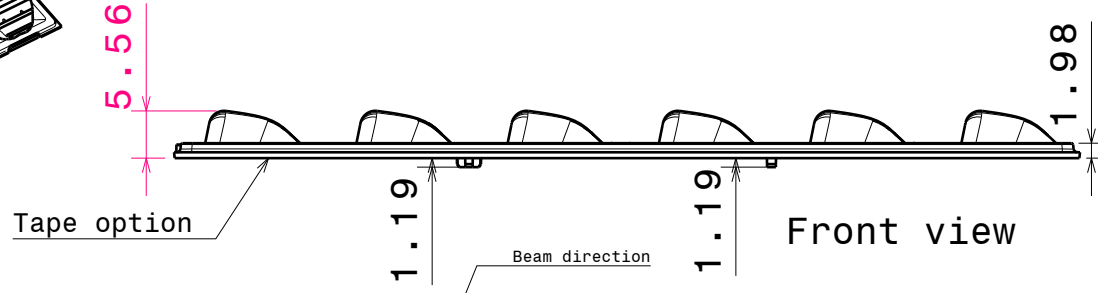
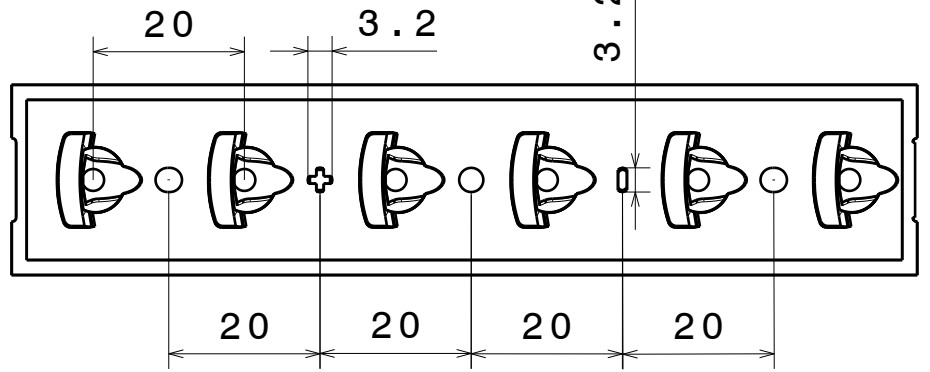
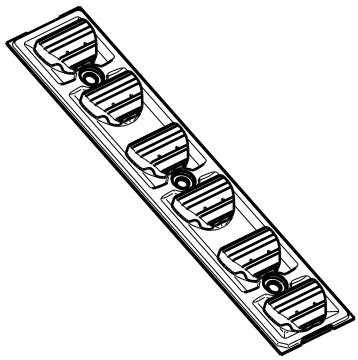


D C B A

4

4

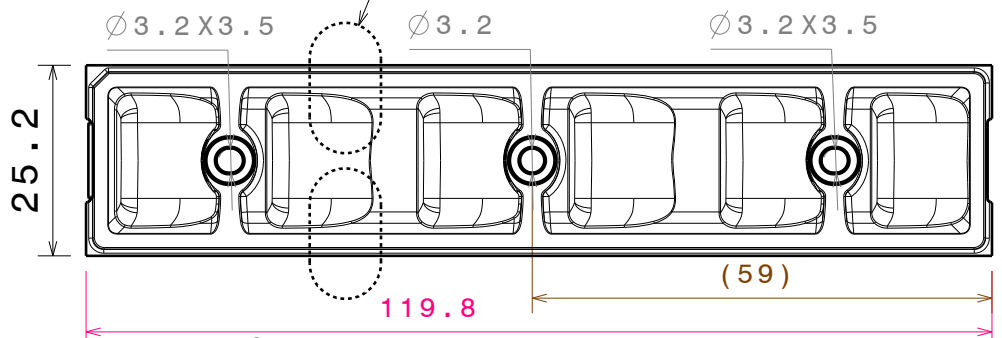


Front view

3

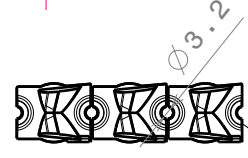
3

Note, Ledil Oy won't provide sealing plates for this product.



Top view

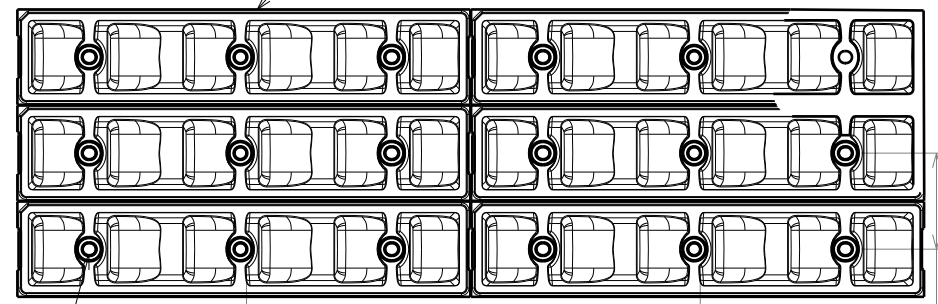
Layout fully compatible with individual Strada-series lenses



2

2

Screw holes



Typical layout Scale: 1:2

MATERIALS  
Lens: PMMA

This drawing is our property. It can't be reproduced or communicated without our written agreement.



L  
S  
F  
F  
e  
i  
a  
i  
n  
N

DRAWING TITLE

Datasheet Strada-T-6x1-DWC Lens

DRAWN BY  
a

DATE  
23.11.2011

CHECKED BY  
o

DATE  
23.11.2011

SIZE  
A4

DRAWING NUMBER  
C12449

REV  
1

DESIGNED BY  
ol

DATE  
16.11.2011

SCALE 2:1

WEIGHT (g)

SHEET 1/1

1

1

D

A