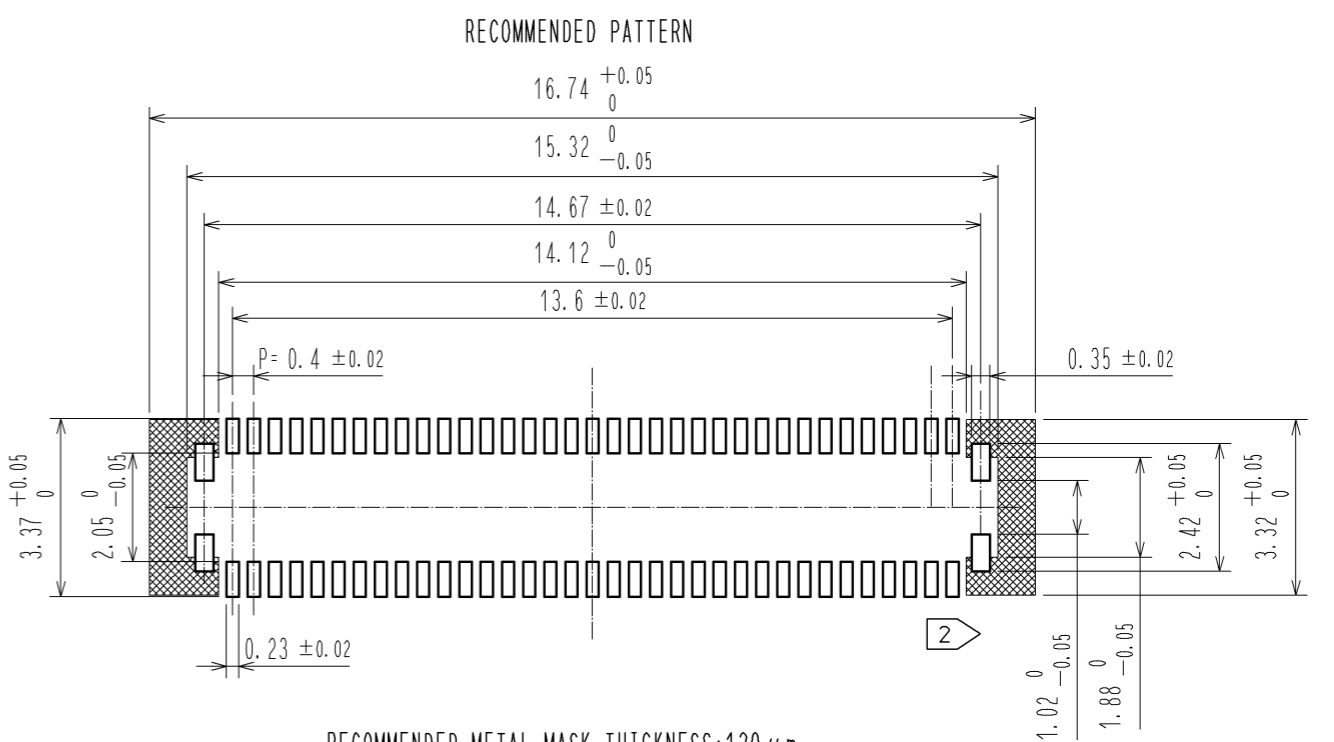
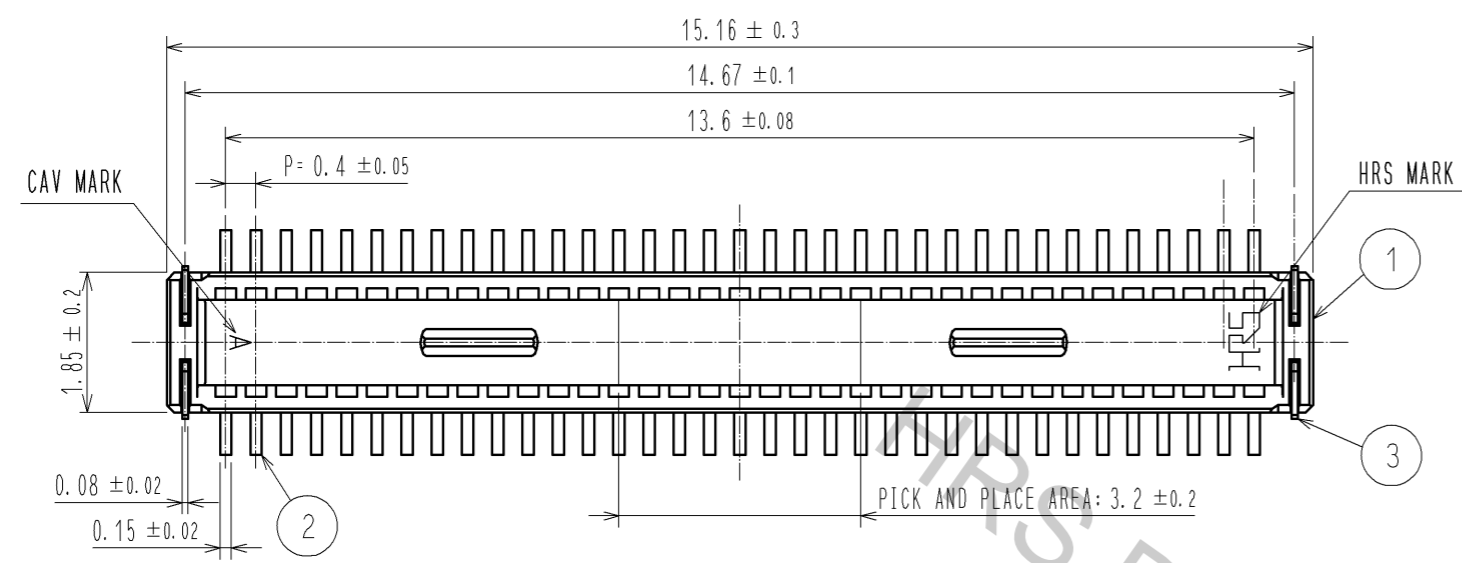
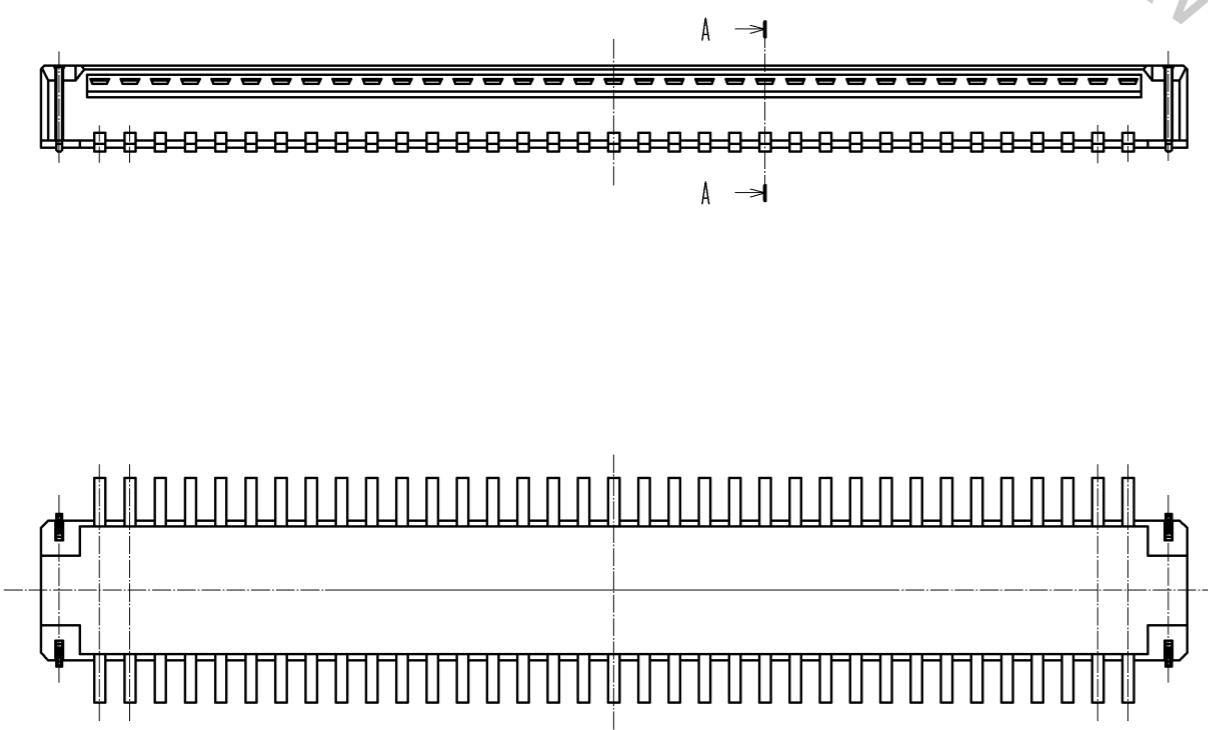


Apr.1.2017 Copyright 2017 HIROSE ELECTRIC CO., LTD. All Rights Reserved.



RECOMMENDED METAL MASK THICKNESS: 120 μm
 RECOMMENDED MASK OPENING RATIO: 80% FOR LEAD PAD

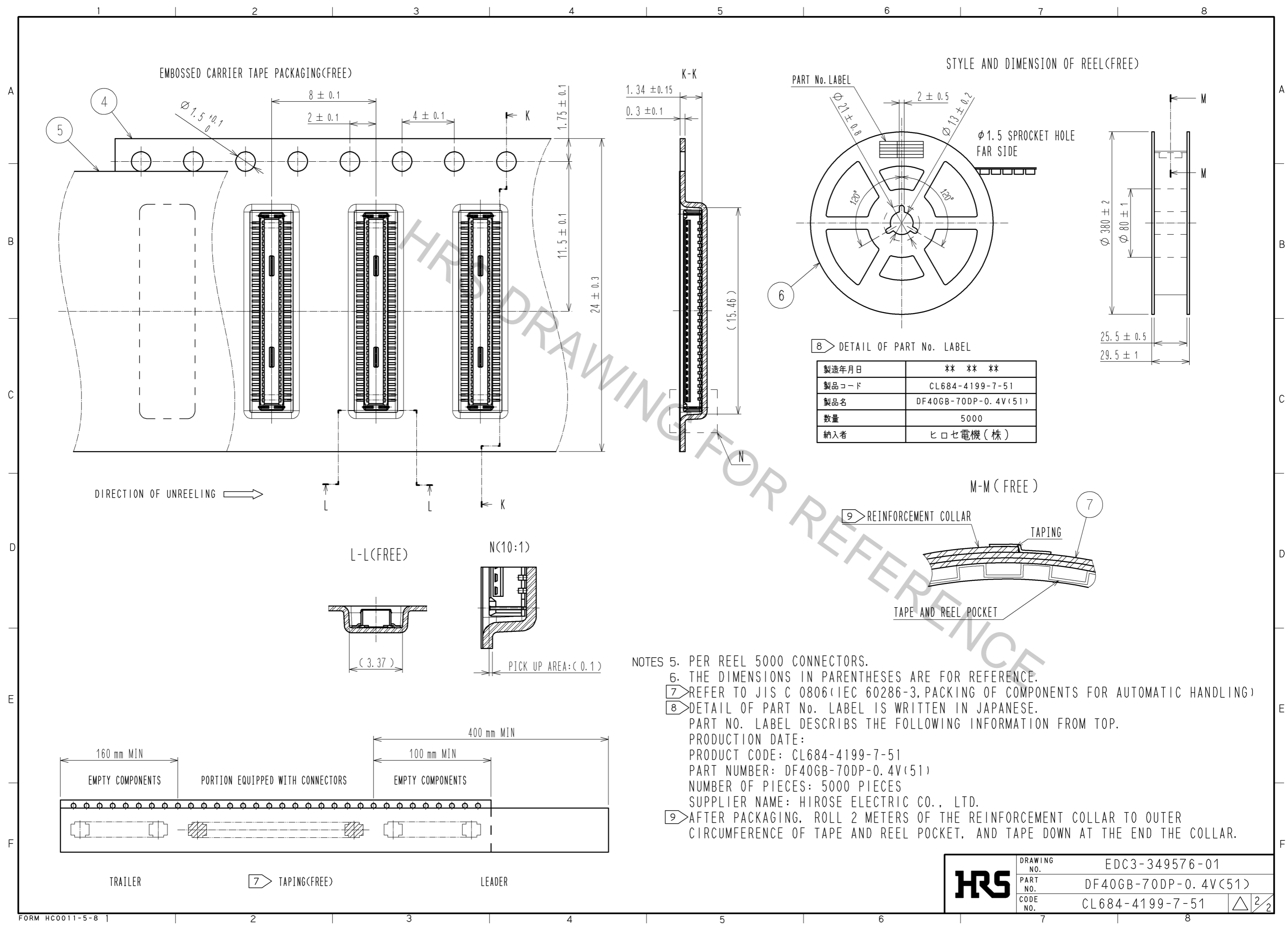


NOTES 1. ALL LEADS METAL FITTINGS CO-PLANARITY SHALL BE 0.1mm MAX.
 2. IS NON-CONDUCTIVE AREA.

2	PHOSPHOR BRONZE	CONTACT AREA: GOLD 0.05 μm MIN SMT LEAD: GOLD 0.05 μm MIN UNDERPLATING: NICKEL 1 μm MIN	7	PS	CLEAR (REINFORCEMENT COLLAR)
1	LCP	BLACK, UL94V-0	6	PS	BLACK (PLASTIC REEL)
			5	POLYESTER	CLEAR (COVER TAPE)
			4	PS	CLEAR (EMBOSSED CARRIER TAPE)
			3	PHOSPHOR BRONZE	CONTACT AREA: GOLD 0.05 μm MIN SMT LEAD: GOLD 0.05 μm MIN UNDERPLATING: NICKEL 1 μm MIN
NO.	MATERIAL	FINISH . REMARKS	NO.	MATERIAL	FINISH . REMARKS

UNITS mm		SCALE 10 : 1	COUNT 	DESCRIPTION OF REVISIONS	DESIGNED	CHECKED	DATE
HRS HIROSE ELECTRIC CO., LTD.		APPROVED : KH. IKEDA	13. 09. 13	DRAWING NO.	EDC3-349576-01		
		CHECKED : TS. MIYAZAKI	13. 09. 13	PART NO.	DF40GB-70DP-0.4V(51)		
		DESIGNED : RT. SHIMIZU	13. 09. 12	CODE NO.	CL684-4199-7-51		
		DRAWN : TH. YASUI	13. 09. 12		1/2		

Apr.1.2017 Copyright 2017 HIROSE ELECTRIC CO., LTD. All Rights Reserved.



STYLE AND DIMENSION OF REEL(FREE)

8) DETAIL OF PART No. LABEL

製造年月日	** ** *
製品コード	CL684-4199-7-51
製品名	DF40GB-70DP-0.4V(51)
数量	5000
納入者	ヒロセ電機(株)

- NOTES
- 5. PER REEL 5000 CONNECTORS.
 - 6. THE DIMENSIONS IN PARENTHESES ARE FOR REFERENCE.
 - 7) REFER TO JIS C 0806(IEC 60286-3, PACKING OF COMPONENTS FOR AUTOMATIC HANDLING)
 - 8) DETAIL OF PART No. LABEL IS WRITTEN IN JAPANESE.
PART NO. LABEL DESCRIBES THE FOLLOWING INFORMATION FROM TOP.
PRODUCTION DATE:
PRODUCT CODE: CL684-4199-7-51
PART NUMBER: DF40GB-70DP-0.4V(51)
NUMBER OF PIECES: 5000 PIECES
SUPPLIER NAME: HIROSE ELECTRIC CO., LTD.
 - 9) AFTER PACKAGING, ROLL 2 METERS OF THE REINFORCEMENT COLLAR TO OUTER CIRCUMFERENCE OF TAPE AND REEL POCKET, AND TAPE DOWN AT THE END THE COLLAR.

HRS	DRAWING NO.	EDC3-349576-01
	PART NO.	DF40GB-70DP-0.4V(51)
	CODE NO.	CL684-4199-7-51
		△ 2/2