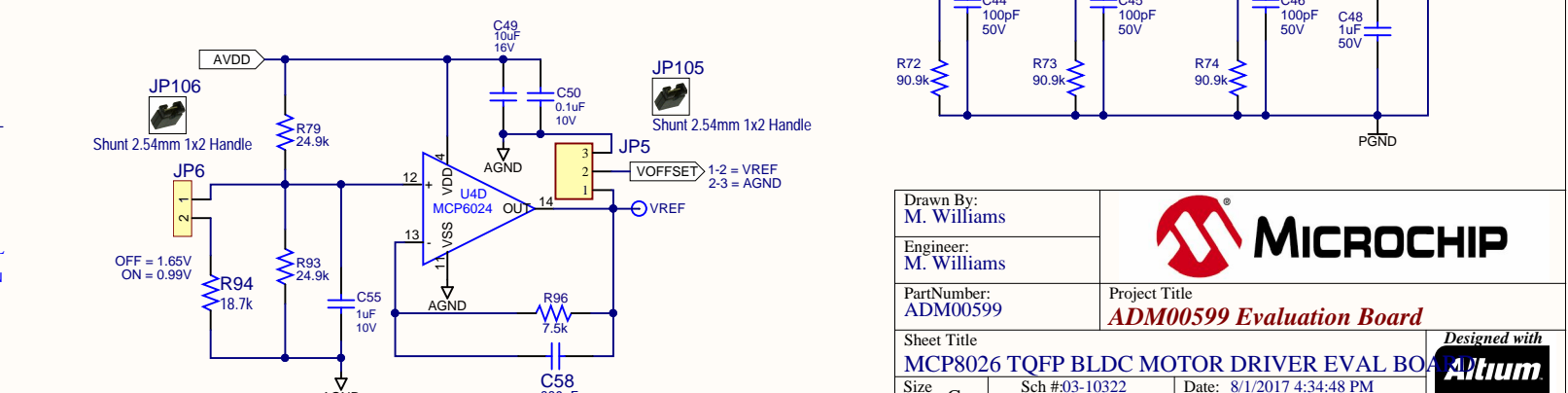
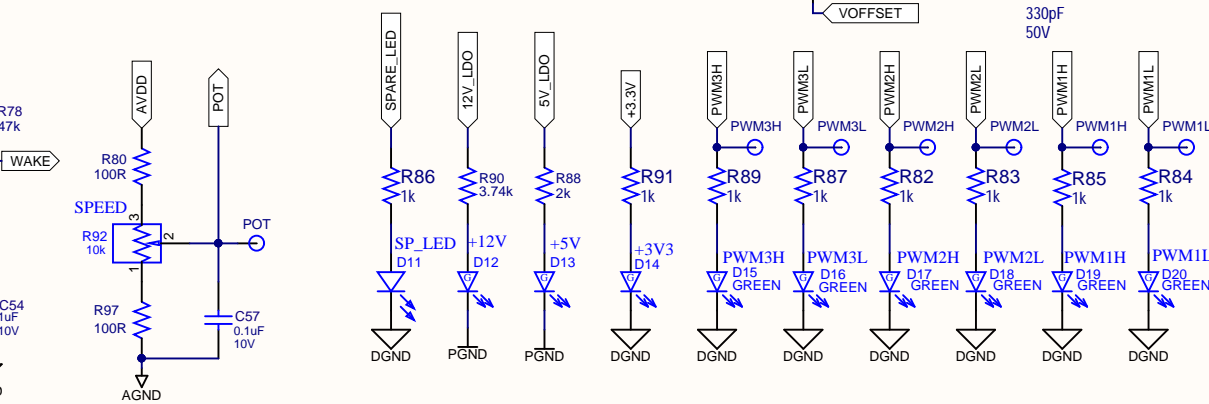
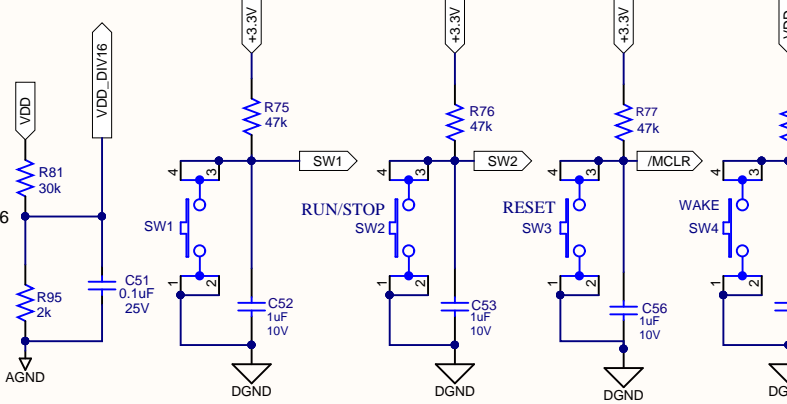
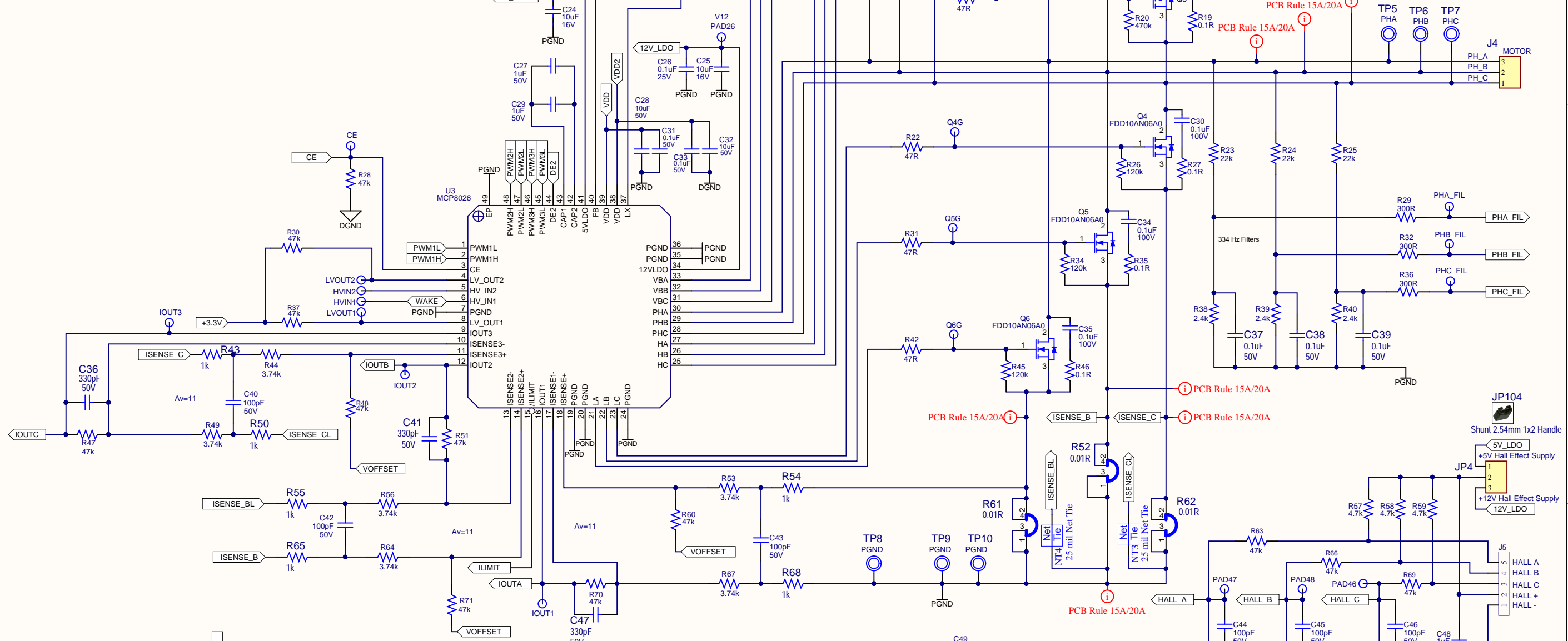
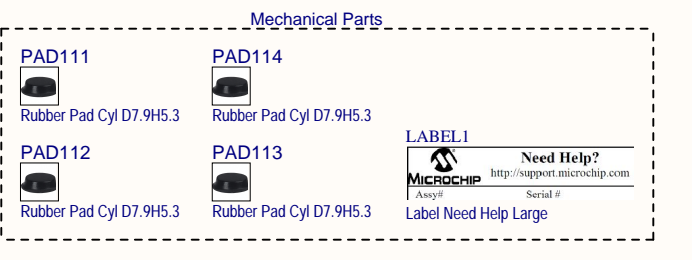
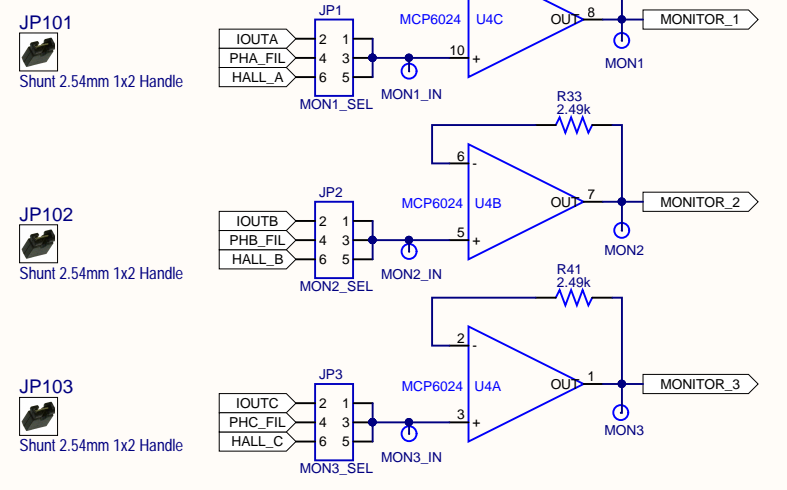
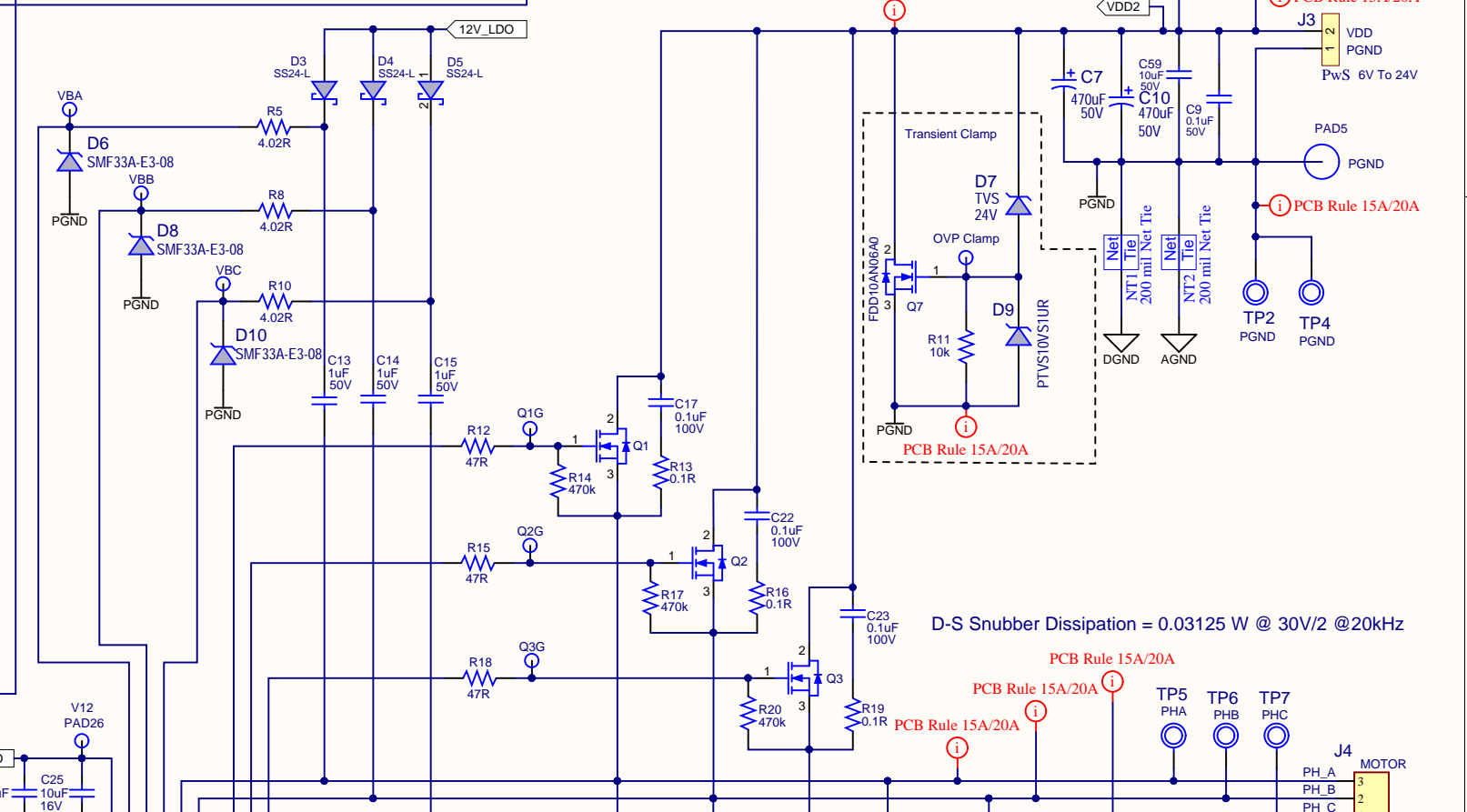
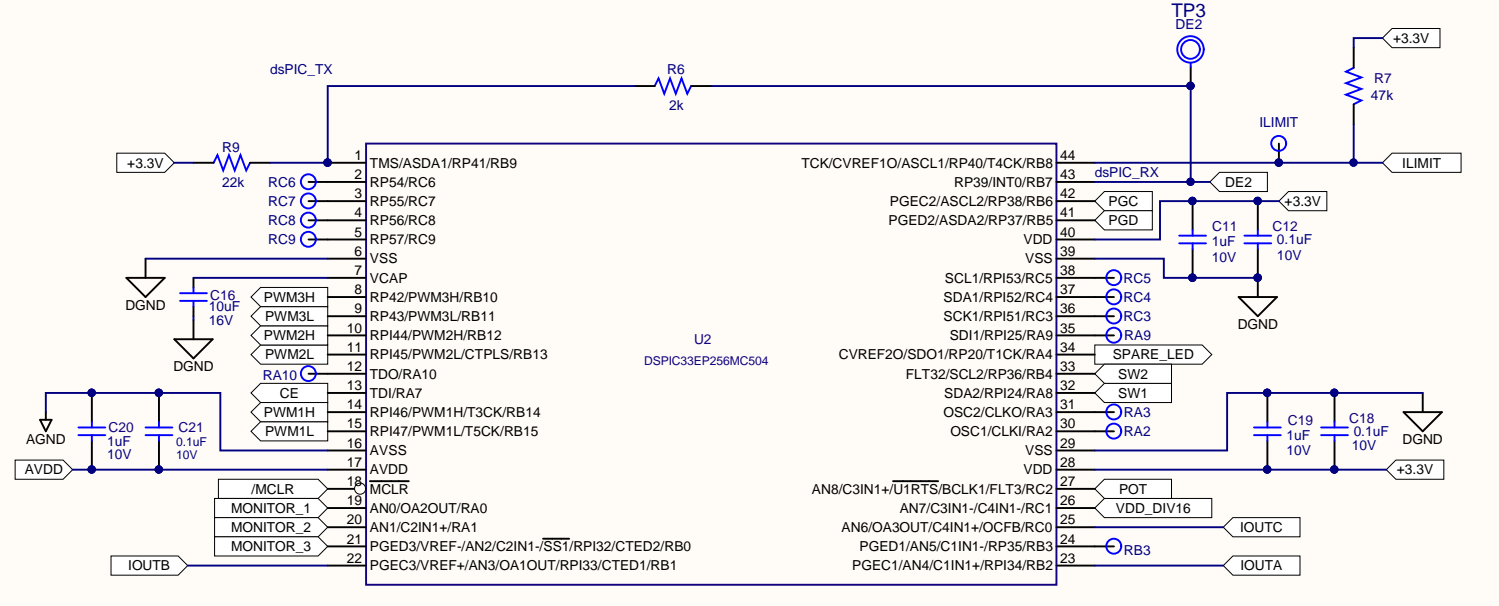
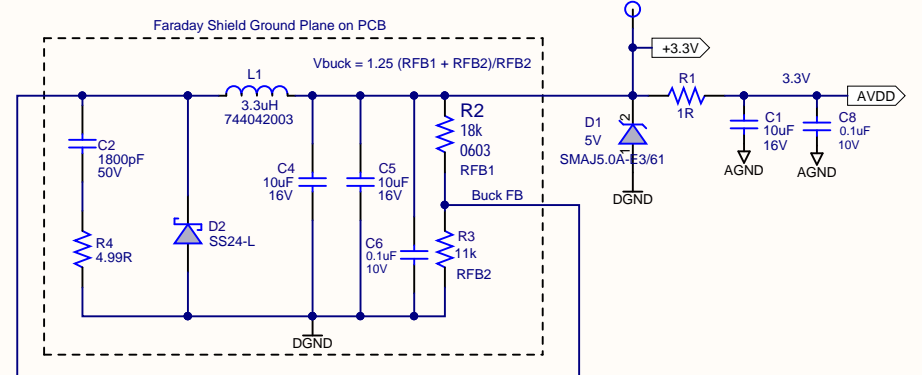
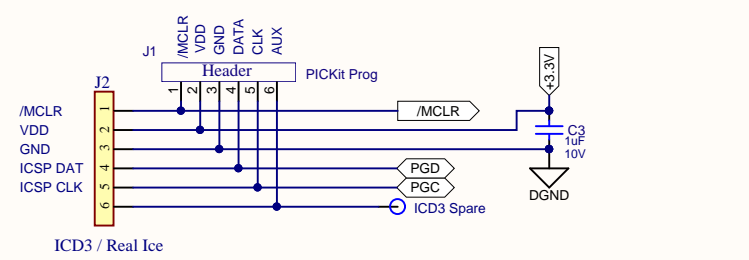


Jumper	Position	Description
JP1	1-2	Connect Phase Current To MONITORn
JP2	3-4	Connect Filtered Phase To MONITORn
JP3	5-6	Connect Hall Sensor To MONITORn
JP4	1-2	5V Hall Sensor Power Supply
JP5	2-3	12V Hall Sensor Power Supply
JP6	1-2	Current Sense Offset = JP6 Selection
JP6	2-3	Current Sense Offset = 0.0V
JP6	OFF	Current Sense Reference = 1.65V
JP6	ON	Current Sense Reference = 0.99V



Drawn By: M. Williams
 Engineer: M. Williams
 Part Number: ADM00599
 Project Title: ADM00599 Evaluation Board
 Sheet Title: MCP8026 TQFP BLDC MOTOR DRIVER EVAL BO
 Size: C Sch #03-10322 Date: 8/1/2017 4:34:48 PM
 Revision: 1 Sheet 1 of 1
 File: ADM00599A_MCP8026_TQFP48_EVAL.SchDoc