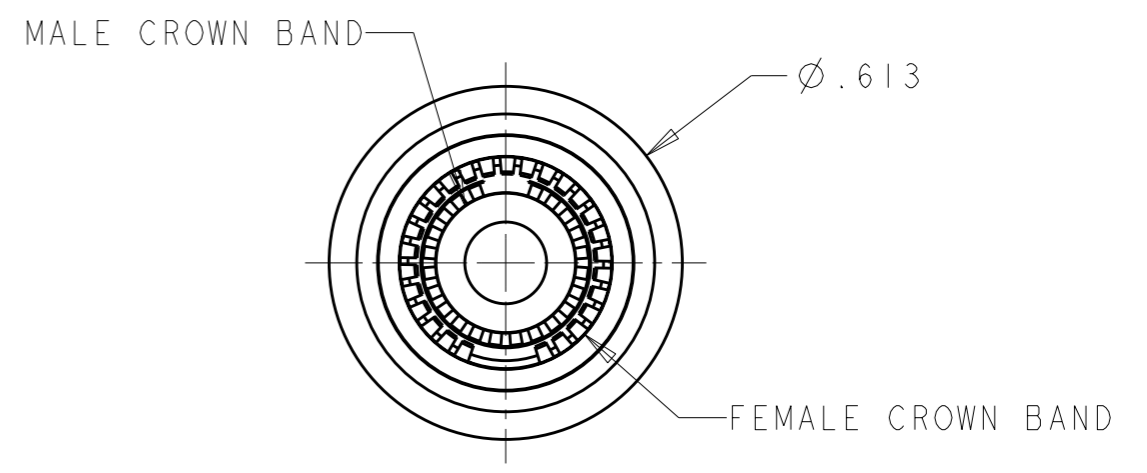
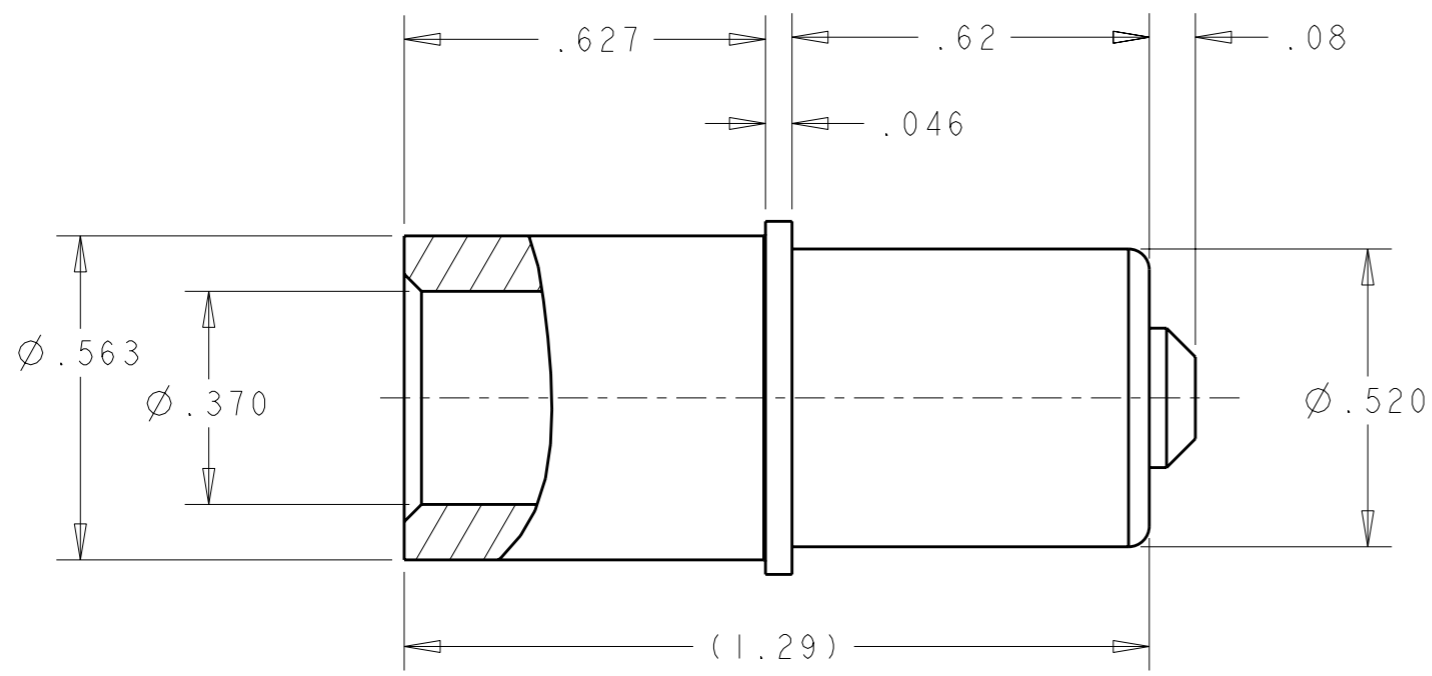


THIS DRAWING IS UNPUBLISHED. RELEASED FOR PUBLICATION 20  
 © COPYRIGHT 20 BY TYCO ELECTRONICS CORPORATION. ALL RIGHTS RESERVED.

LOC	DIST	REVISIONS			
P	LTR	DESCRIPTION	DATE	DWN	APVD
GP	00	A	RELEASED	25AUG2008	RG DO



- PART NUMBER CHANGES AND/OR DESIGN CHANGES AFFECTING ITEM INTERCHANGEABILITY REQUIRES PRIOR TYCO ELECTRONICS APPROVAL AND AUTHORIZATION BY REVISION TO THIS DRAWING.
- ITEMS PROVIDED TO THIS SPECIFICATION SHALL BE IDENTIFIED ON THE CONTAINER WITH THE FOLLOWING INFORMATION:

TYCO ELECTRONICS P/N: XXXXXX-X  
 DATE CODE (e.g. 0106): XXXX  
 YEAR: 1 WEEK

3 MATERIAL:  
 SOCKET BODY AND HOOD: COPPER ALLOY  
 CROWN: COPPER ALLOY  
 PROBE PROOF CAP: THERMOPLASTIC, UL 94V-0 RECONGIZED

4 FINISH:  
 SOCKET BODY AND HOOD: SILVER PLATE .000200 MIN THK.  
 OVER NICKEL PLATE .000050 MIN THK.  
 CROWN BANDS: GOLD PLATE .000030 MIN THK.  
 OVER NICKEL .000050 MIN THK.

AS SHOWN	1926899-1
DESCRIPTION	PART NO.

<small>THIS DRAWING IS A CONTROLLED DOCUMENT FOR TYCO ELECTRONICS CORPORATION IT IS SUBJECT TO CHANGE AND THE CONTROLLING ENGINEERING ORGANIZATION SHOULD BE CONTACTED FOR THE LATEST REVISION.</small>		DWN: R.GRZYBOWSKI 18AUG2008 CHK: D.ORRIS 18AUG2008 APVD: M.PERCHERKE 18AUG2008		<b>Tyco Electronics</b> Tyco Electronics Harrisburg, PA 17105-3608	
DIMENSIONS: INCHES 		TOLERANCES UNLESS OTHERWISE SPECIFIED: 0 PLC ±- 1 PLC ±- 2 PLC ±.02 3 PLC ±.010 4 PLC ±- ANGLES ±5		NAME: CONTACT, SOCKET, SIZE No.0 WITH CRIMP No.2 AWG CRIMP DOUBLE CROWN	
MATERIAL: 3		FINISH: 4		SIZE: A3 CAGE CODE: 00779 DRAWING NO: 1926899 RESTRICTED TO: -	
CUSTOMER DRAWING				SCALE: 3:1 SHEET: 1 OF 1 REV: A	