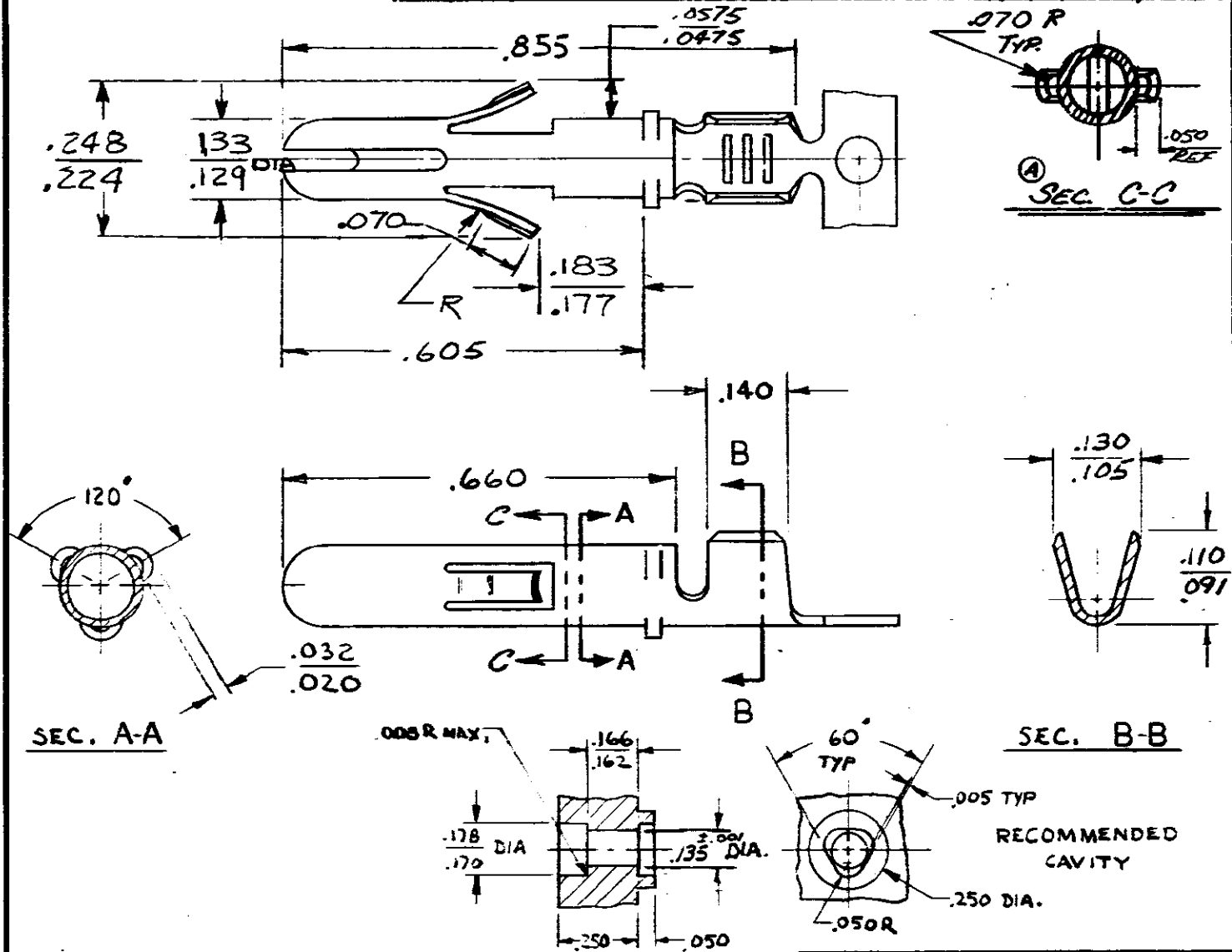



© COPYRIGHT 1976 BY AMP INCORPORATED, HARRISBURG, PA. ALL INTERNATIONAL RIGHTS RESERVED. NO REPRODUCTION OR TRANSMISSION OF THIS DRAWING IS PERMITTED WITHOUT WRITTEN PERMISSION OF AMP INCORPORATED. TRADEMARKS AND PATENTS PENDING.

REVISIONS				
LTR	DESCRIPTION	DATE	APPROVED	BY
A	ADDED RADIUS TO LOCKING LATCHES PER SEC. C-C	1-21-77	GDJ	GDJ
B	REVISED RELEASED A-3590	5/4/77	GTJ	GTJ
C	REVISED A-3901	3/2/78	GTJ	GTJ
D	REVISED A-3954	5-18-78	SSJ	SSJ
E	REVISED AF-1993	9/2/87	SY	SY



22-18	62505-1
WIRE SIZE	PART NO

UNLESS OTHERWISE SPECIFIED DIMENSIONS ARE IN INCHES. TOLERANCES ON: DECIMALS ± .015 ANGLES ± 1° 0'	CONTRACT NO	 AMP INCORPORATED Harrisburg, Pa.	NAME
	DR <i>R. J. West 6-18-76</i>		
MATERIAL	CHK <i>John P. ... 6-18-76</i>	SIZE A CODE IDENT NO 00779 DRAWING NO 62505	
.016 BRASS	APPD <i>R. J. West 6-22-76</i>		SCALE <i>1:1</i>
FINISH	DSGN APPD	OTHER APPD	
NONE			