



Copyright FCI.

A

B

C

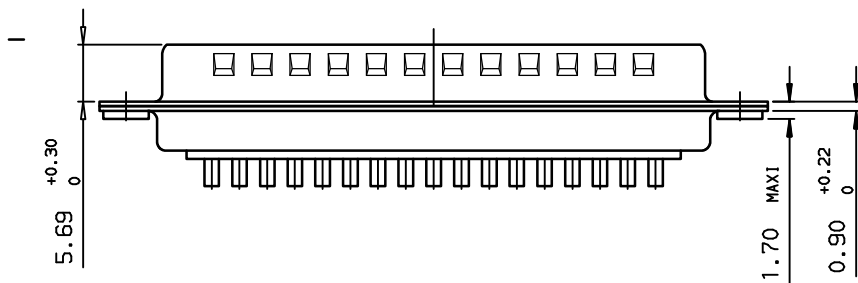
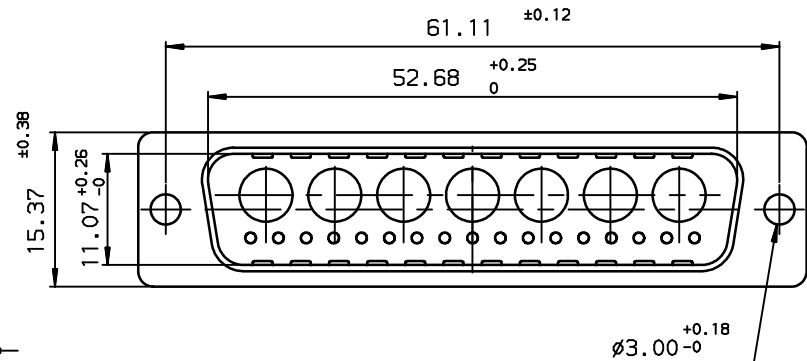
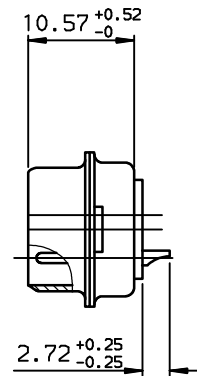
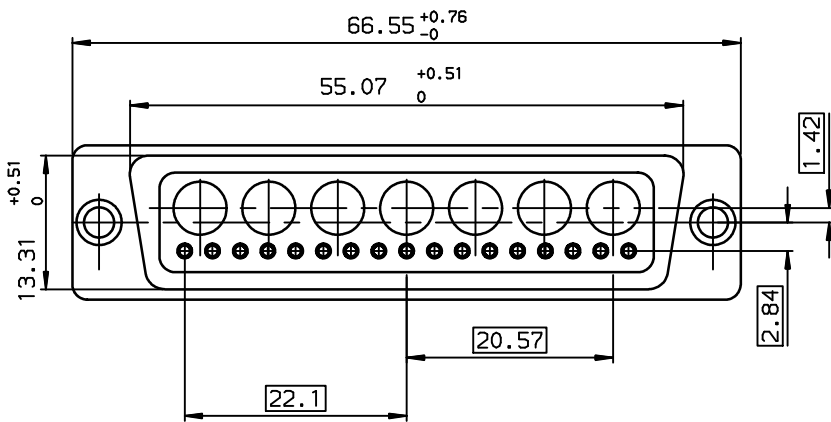
D

A

B

C

D



TIN LEAD PART NUMBER

DD24W7PA00

PART NUMBER

LEAD FREE PART NUMBER

DD24W7PA00LF

PART NUMBER

GENERAL CHARACTERISTICS AND ROHS INFORMATIONS:
SEE DRAWING C01-8639-0003

European Views

www.fciconnect.com		surface ISO 1302 ✓	tolerance std ISO 406 ISO 1101	projection mm	mm
TOLERANCES UNLESS OTHERWISE SPECIFIED				size A3	Scale 2
Dr	JARRY	1997/02/07	0.x	±0.1	ECN L506-0095
Eng	PESSON	1997/02/07	0.xx	±0.1	
Chr	LEGARE	1997/02/07	0.xxx	±0.1	
Appr	LEGARE	1997/02/07	Product family D-SUB		Spec ref -
FCI		title PIN CONNECTOR WITH SOLDER CONTACT		chg no C01-8639-1501	Rev. D
		catalog no		CUSTOMER sheet 1 of 1	

rev	ecn no	dr	date
B	-	DEB	2003/10/21
C	LS05-005	MPE	2005/03/16
D	LS06-0095	LGO	2006/07/20
-	-	-	-
-	-	-	-
-	-	-	-
-	-	-	-

REV F - 2006-04-17