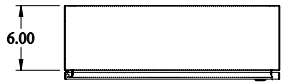
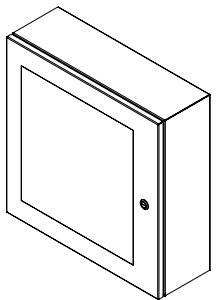
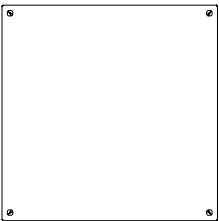


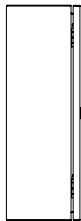
PART No. EN4SD20206WLG
 for more information visit
www.hammfg.com
 Data subject to change without notice
 Isometric drawing Not to Scale



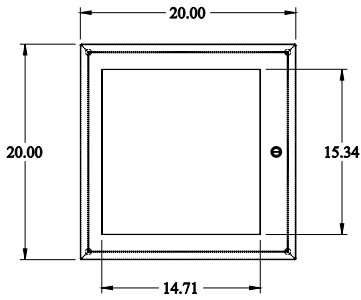
TOP VIEW



BACK VIEW



LEFT SIDE VIEW

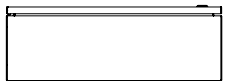


FRONT VIEW



RIGHT SIDE VIEW

ISOMETRIC VIEW



BOTTOM VIEW