

MODEL NUMBER
CPL-5046-30-NNN-79

NOTES:

1.0 ELECTRICAL SPECIFICATIONS:

- 1.1 FREQUENCY RANGE: 2.0 to 4.0 GHz
- 1.2 COUPLING: 30 ±1.0dB
- 1.3 FREQUENCY SENSITIVITY: ±0.75dB
- 1.4 INSERTION LOSS: 0.20dB MAX.
- 1.5 DIRECTIVITY: 25dB MIN
- 1.6 VSWR: 1.15:1 MAX.
- 1.7 INPUT POWER:

AVG INPUT: 500 WATTS
AVG. REVERSE: 500 WATTS
AVG. PEAK: 10 KILOWATTS

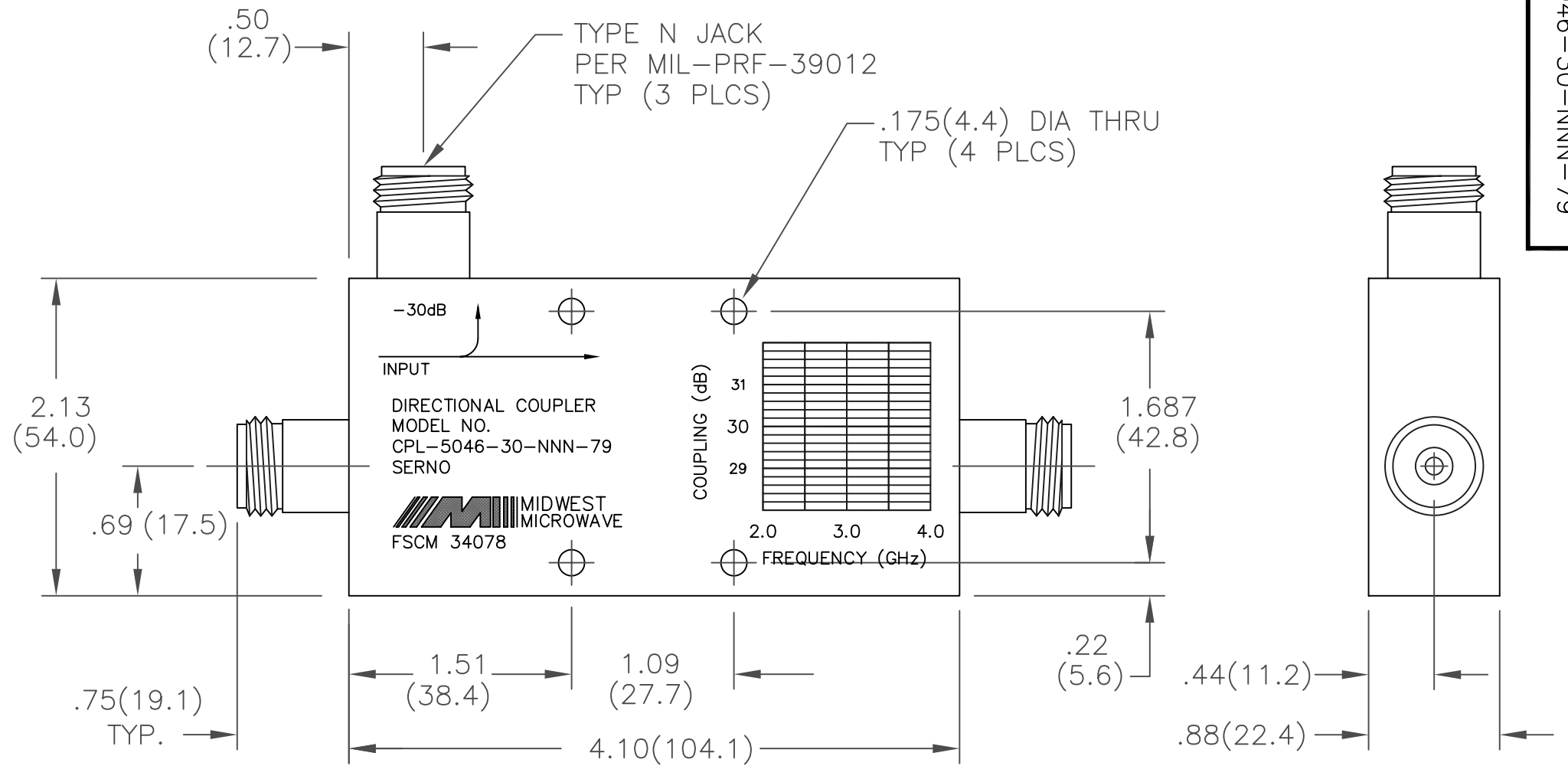
2.0 WEIGHT: 0.45 Kg. (1.0 lbs)

3.0 FINISHING:

- 3.1 GREY PER MIL-E-15090 TYPE II, CLASS 2
OVER MIL-C-5541 CLASS 3A
MEETS MIL-F-14072
MEETS MIL-E-5400

- 3.2 MARK UNIT AS SHOWN
(REF.: SLK-09144-82-06)
USING BLUE INK.

4.0 DIMENSIONS IN PARENTHESIS
ARE IN MILLIMETERS.



REV.	DESCRIPTION	DATE
-	RELEASED	2/20/94
A	ECN 14409	4/5/95
A1	ADDED TITLEBLOCK	4/13/05
C	ECO 22853	11/16/10

NOTICE: The information contained in this drawing is proprietary and must not be used without the permission of Emerson Network Power. UNLESS OTHERWISE NOTED DIMENSIONS ARE IN INCHES AND TOLERANCES ARE: 3 PLACE DECIMALS ±.005 2 PLACE DECIMALS ±.02 FRACTIONS ±1/64 PARALLELITY: T.I.R. _____ FLATNESS: T.I.R. _____ CONCENTRICITY: T.I.R. _____ ANGLES AND PERPENDICULARITY: ±1°	CAGE CODE 34078	MIDWEST MICROWAVE	
		TITLE DIRECTIONAL COUPLER OUTLINE DRAWING	
DRAWN/DATE A.BEATTY 10/29/93	ENG./DATE P.GOODMAN 2/18/94	DRAWING NUMBER CPL-5046-30-NNN-79-01	REV. C
CHECKED/DATE M.HOLLMAN 1/18/94	APPROVED/DATE	SCALE: 1=1	SHEET 1 of 1