

1 2 3 4 5 6 7


A

A

- Material**
- Terminal body (Contact pin): Brass
  - Wire guard: Stainless steel
  - Surface of solder tail: Tin plated
  - Insulator (housing): Thermoplastic (UL94V-0) Green(RAL6018/T)②

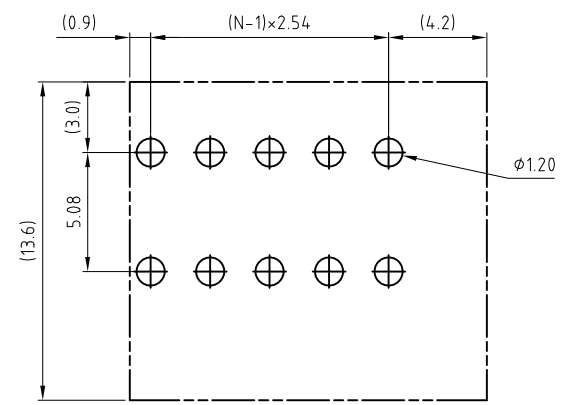
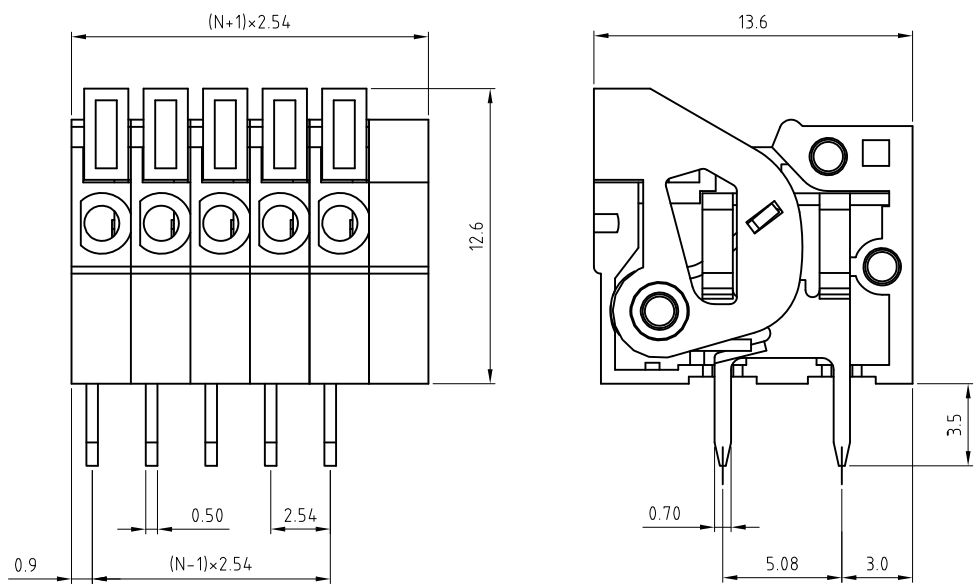
B

B

- Electrical** cULus②
- Voltage rating: 150VAC
  - Current rating: 2A
  - Wire range:
  - Solid wire(AWG): 20-26
  - Stranded wire(AWG): 20-26
  - Pull force:
  - Screw:
  - Wire strip length: 9-10mm
  - Withstanding Voltage: 1.3KV
  - ② ● Operating temperature: -40°C to +115°C
  - Soldering temperature: 250°C±10°C/5 Sec
  - ② ● Safety Approval: 

C

C



P.C.B. LAYOUT

D

D

E


E

N=Number of contacts

F

F

**RoHS compliant**  
Unit: mm

Scale	Free					Date	Name	Customer-No.
TOLERANCE						Drawn	10.12.2009	Dean
X.	±0.50					Approved	08.05.2014	Amy
X.X	±0.30							
X.XX	±0.10							
DIM	TOL	②	Update	08.05.2014	Amy			
X.°	±1°	①	Drawn	10.12.2009	Dean			
Angle	TOL	Id.	Modification	Date	Name	Replace	ASS 3815 CO	rev02
							Sheet	

G

G

H

H

1 2 3 4 5 6 7