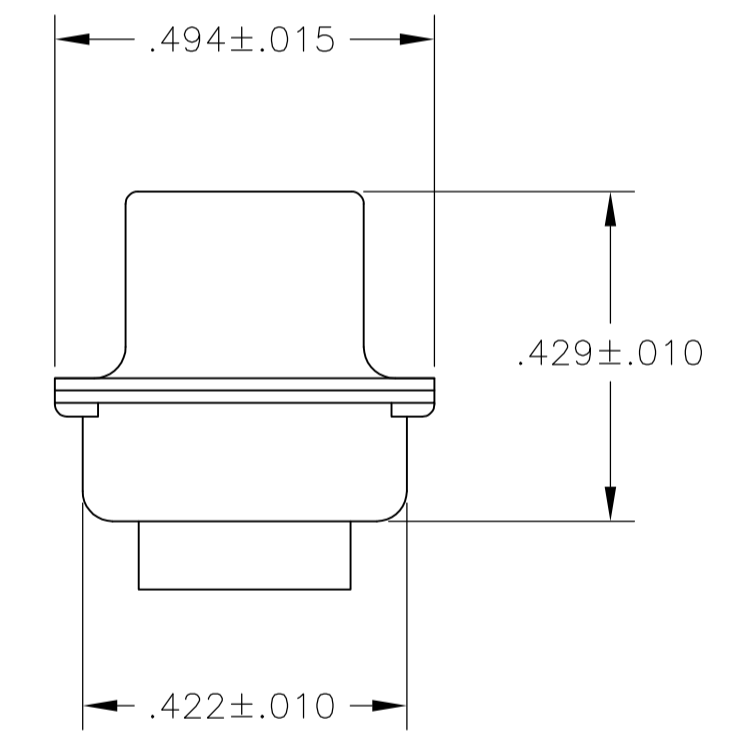
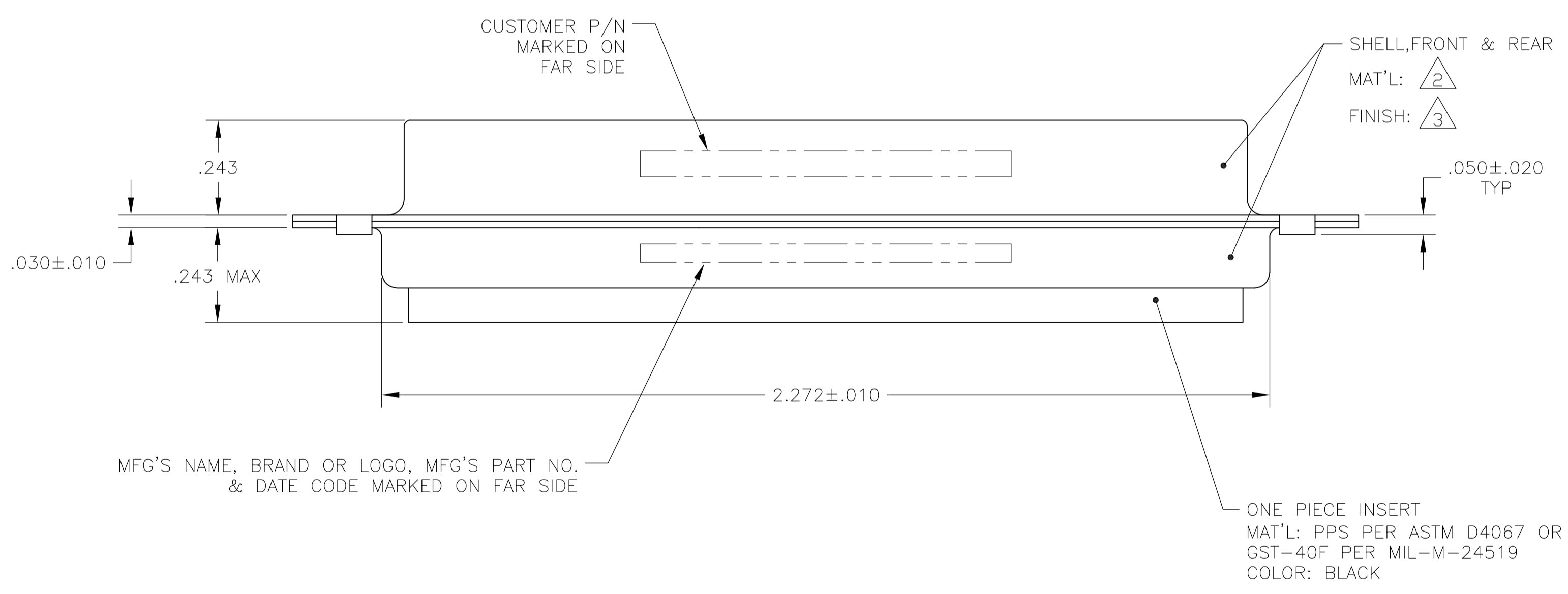
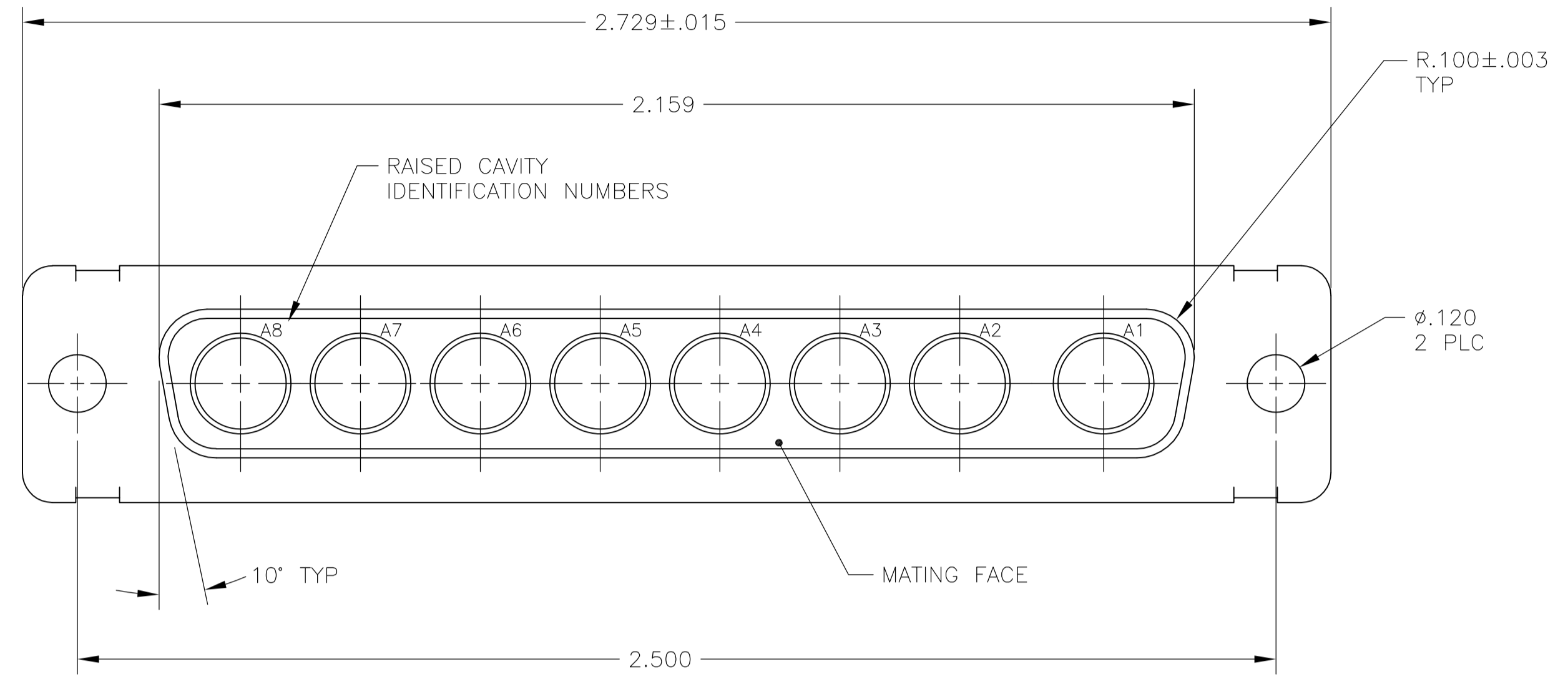


LOC		DIST		REVISIONS				
DF	DO	REV	PER	ECO	DESCRIPTION	DATE	DWN	APVD
C		REV PER	ECO	08-030008		21JAN2009	PK	RL

- THIS CONNECTOR ACCEPTS (8) POWER 8, OR COAX SOCKET CONTACTS IN POSITIONS A1 THRU A8, PURCHASED SEPARATELY.
- BRASS PER MIL-C-50 AND ASTM-B-36 UNS NO. C26000.
- GOLD PLATED PER ASTM-B-488 TYPE 3, CODE C, CLASS 1.25 OVER COPPER PER MIL-C-14550, CLASS IV.



B010950-0018	1883538-1
CUSTOMER PART NO.	PART NO.

THIS DRAWING IS A CONTROLLED DOCUMENT.		DWG: C.C.THOMAS 11-16-06	Tyco Electronics Corporation	
DIMENSIONS: INCHES		CHK: D.MILLER 11-17-06	Harrisburg, Pa 17105-3608	
TOLERANCES UNLESS OTHERWISE SPECIFIED:		APP'D: D.MILLER 11-17-06	NAME: RECEPTACLE ASSEMBLY	
0 PLC ± -		PRODUCT SPEC	AMPLIMITE 8C8	
1 PLC ± -		APPLICATION SPEC	SIZE 4, SERIES 109, COAX, HI-TEMP	
2 PLC ± -		WEIGHT	SIZE: A1	RESTRICTED TO: -
3 PLC ± .005		CUSTOMER DRAWING	CAGE CODE: 00779	DRAWING NO: 1883538
4 PLC ± -		SCALE: 4:1	SHEET: 1 OF 1	REV: C
ANGLES ± 0°30'				