

Cable connector - RC-12S2N8A1300 - 1600081

Please be informed that the data shown in this PDF Document is generated from our Online Catalog. Please find the complete data in the user's documentation. Our General Terms of Use for Downloads are valid (<http://phoenixcontact.com/download>)




Cable connector, straight, shielded: no, Screw locking, M23, No. of pos.: 12, type of contact: Socket, Crimp connection

The figure shows the 12-pos. product version, with standard DIN cable gland



Key Commercial Data

Packing unit	20 pc
GTIN	 4 046356 228435
GTIN	4046356228435

Technical data

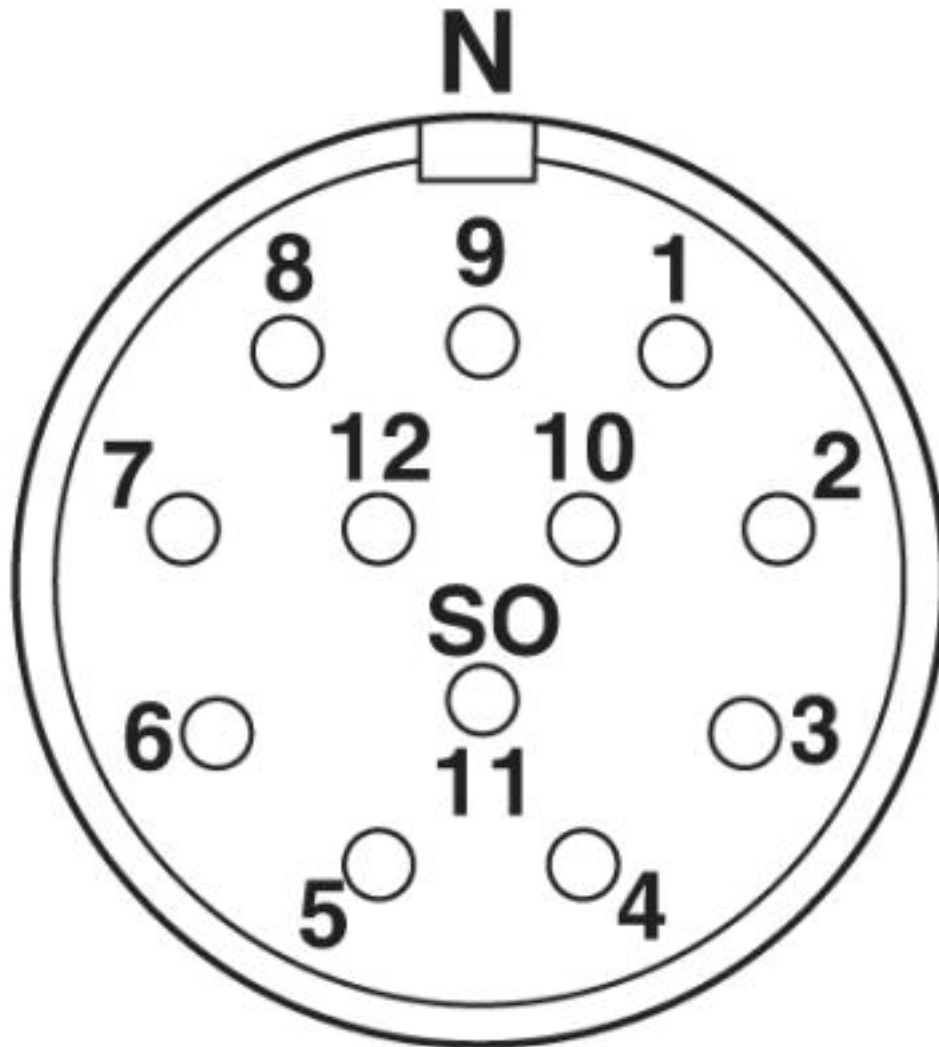
Environmental Product Compliance

China RoHS	Environmentally Friendly Use Period = 50
	For details about hazardous substances go to tab "Downloads", Category "Manufacturer's declaration"

Drawings

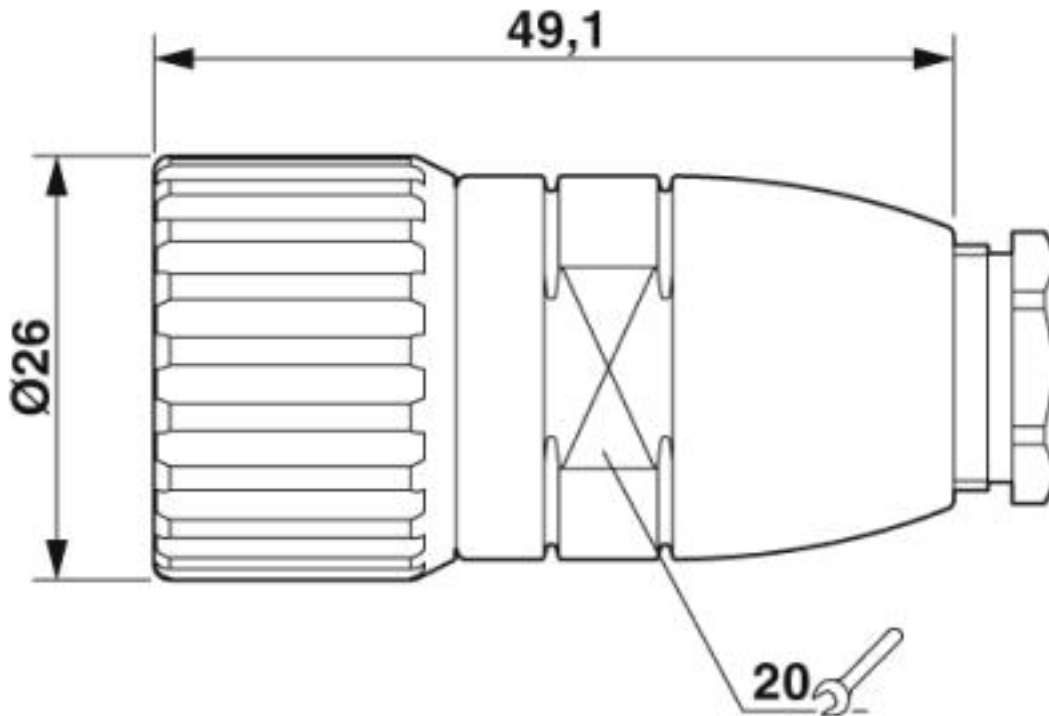
Cable connector - RC-12S2N8A1300 - 1600081

Schematic diagram



Cable connector - RC-12S2N8A1300 - 1600081

Dimensional drawing



Phoenix Contact 2019 © - all rights reserved
<http://www.phoenixcontact.com>

PHOENIX CONTACT GmbH & Co. KG
Flachsmarktstr. 8
32825 Blomberg
Germany
Tel. +49 5235 300
Fax +49 5235 3 41200
<http://www.phoenixcontact.com>