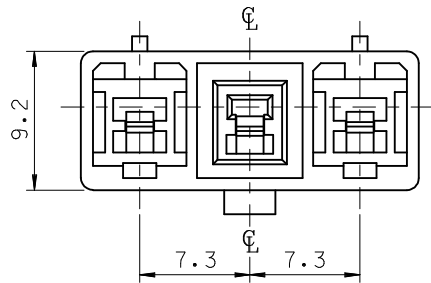
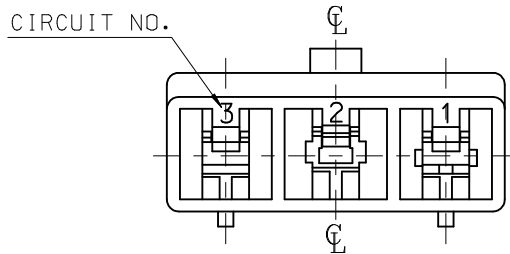
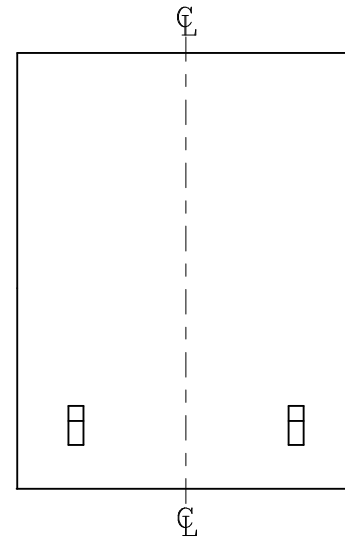
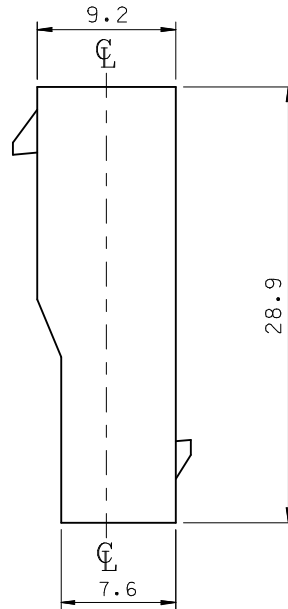
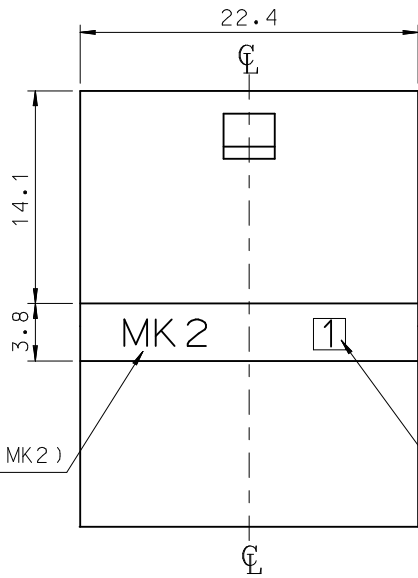
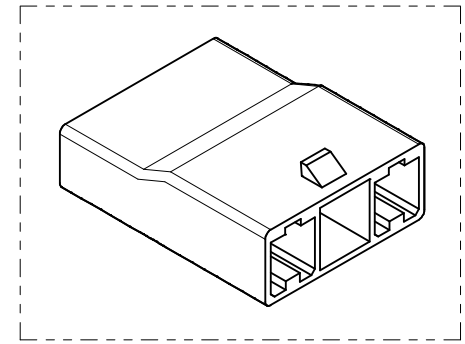


10 9 8 7 6 5 4 3 2 1



- NOTES
1. MATERIAL & COLOR : SEE TABLE
 - ② 2. MATCHED HOUSING : 35151-031*
35150-039* (T.P.A)
 3. APPLICABLE TERMINAL : 35745-0*10 (1 CIRCUIT)
35746-0*10 (2 CIRCUIT)
35747-0*10 (3 CIRCUIT)

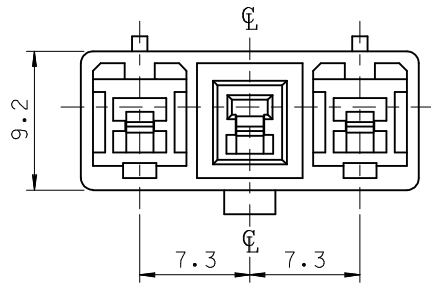


NO	PRODUCT		MATERIAL	
	PART NO	MATERIAL NO	COLOR	DESCRIPTION
1	35150-0300	351500300	NATURAL	PBT
2	35150-0304	351500304	BLUE	(UL94V-0)
3	35150-0309	351500309	NATURAL	PBT/PC
4	35150-3309	351503309	YELLOW	(UL94V-0)

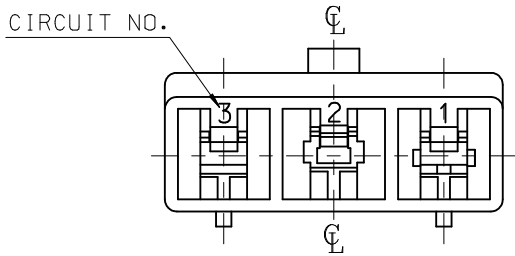
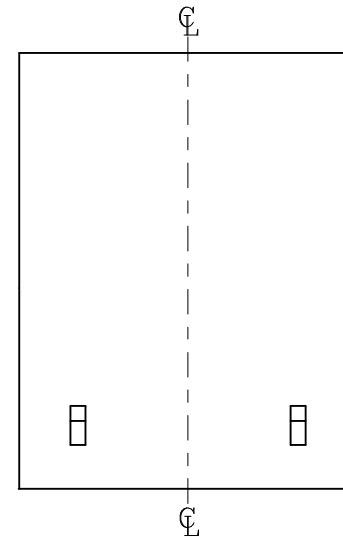
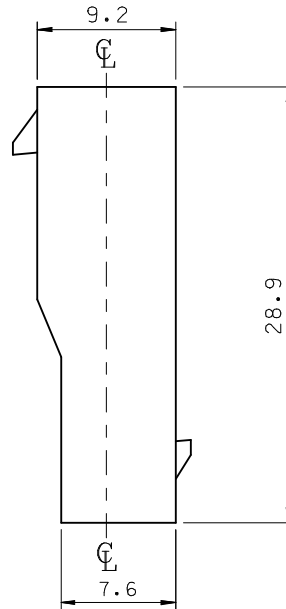
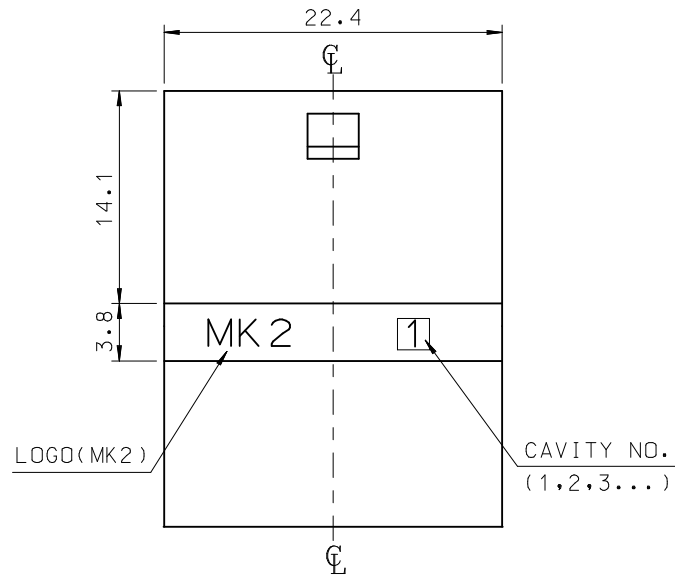
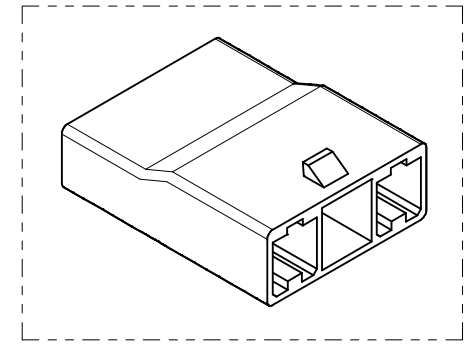
REVISED EC NO: KOR2014-0009 DRWN: JSSHIN 2013/08/12 CHKD: SICHU APPR: YSKI1M02 2013/09/03 B1	QUALITY SYMBOLS ▽=0 ◻=0	GENERAL TOLERANCES (UNLESS SPECIFIED)		DIMENSION STYLE MM ONLY		SCALE 3:1	DESIGN UNITS METRIC	THIRD ANGLE PROJECTION	
		4 PLACES ± --- ± ---	mm INCH	DRAWN BY JS.KANG	DATE 1995/12/11	TITLE 7.3 PITCH W/W CONN MALE HSG-3P(W/O EAR)			
		3 PLACES ± --- ± ---		CHECKED BY BK.CHOI	DATE 1995/12/11	MOLEX INCORPORATED			
		2 PLACES ± --- ± ---		APPROVED BY CW.LEE	DATE 1995/12/11	MATERIAL NO. SEE TABLE	DOCUMENT NO. SD-35150-030*	SHEET NO. 1 OF 01	
		1 PLACE ± 0.3 ± ---		ANGULAR ± 1 °		THIS DRAWING CONTAINS INFORMATION THAT IS PROPRIETARY TO MOLEX INCORPORATED AND SHOULD NOT BE USED WITHOUT WRITTEN PERMISSION			
DRAFT WHERE APPLICABLE MUST REMAIN WITHIN DIMENSIONS									

9 8 7 6 5 4 3 2 1

10 9 8 7 6 5 4 3 2 1



- NOTES
1. MATERIAL & COLOR : SEE TABLE
 - ② 2. MATCHED HOUSING : 35151-031*
35150-039* (T.P.A)
 3. APPLICABLE TERMINAL : 35745-0*10 (1 CIRCUIT)
35746-0*10 (2 CIRCUIT)
35747-0*10 (3 CIRCUIT)



NO	PRODUCT		MATERIAL	
	PART NO	MATERIAL NO	COLOR	DESCRIPTION
1	35150-0300	351500300	NATURAL	PBT
2	35150-0304	351500304	BLUE	(UL94V-0)
3	35150-0309	351500309	NATURAL	PBT/PC
4	35150-3309	351503309	YELLOW	(UL94V-0)

REVISED EC NO: KOR2014-0009 DRWN: JSSHIN 2013/08/12 CHKD: SICHU APPR: YSKI1M02 2013/09/03 B1	QUALITY SYMBOLS ▽=0 ◻=0	GENERAL TOLERANCES (UNLESS SPECIFIED)		DIMENSION STYLE MM ONLY		SCALE 3:1	DESIGN UNITS METRIC	THIRD ANGLE PROJECTION	
		4 PLACES ± --- ± ---	mm INCH	DRAWN BY JS.KANG	DATE 1995/12/11	TITLE 7.3 PITCH W/W CONN MALE HSG-3P(W/O EAR)			
		3 PLACES ± --- ± ---		CHECKED BY BK.CHOI	DATE 1995/12/11	MOLEX INCORPORATED			
		2 PLACES ± --- ± --- 1 PLACE ± 0.3 ± --- ANGULAR ± 1 °		APPROVED BY CW.LEE	DATE 1995/12/11	MATERIAL NO. SEE TABLE	DOCUMENT NO. SD-35150-030*	SHEET NO. 1 OF 01	
DRAFT WHERE APPLICABLE MUST REMAIN WITHIN DIMENSIONS		THIS DRAWING CONTAINS INFORMATION THAT IS PROPRIETARY TO MOLEX INCORPORATED AND SHOULD NOT BE USED WITHOUT WRITTEN PERMISSION							

9 8 7 6 5 4 3 2 1