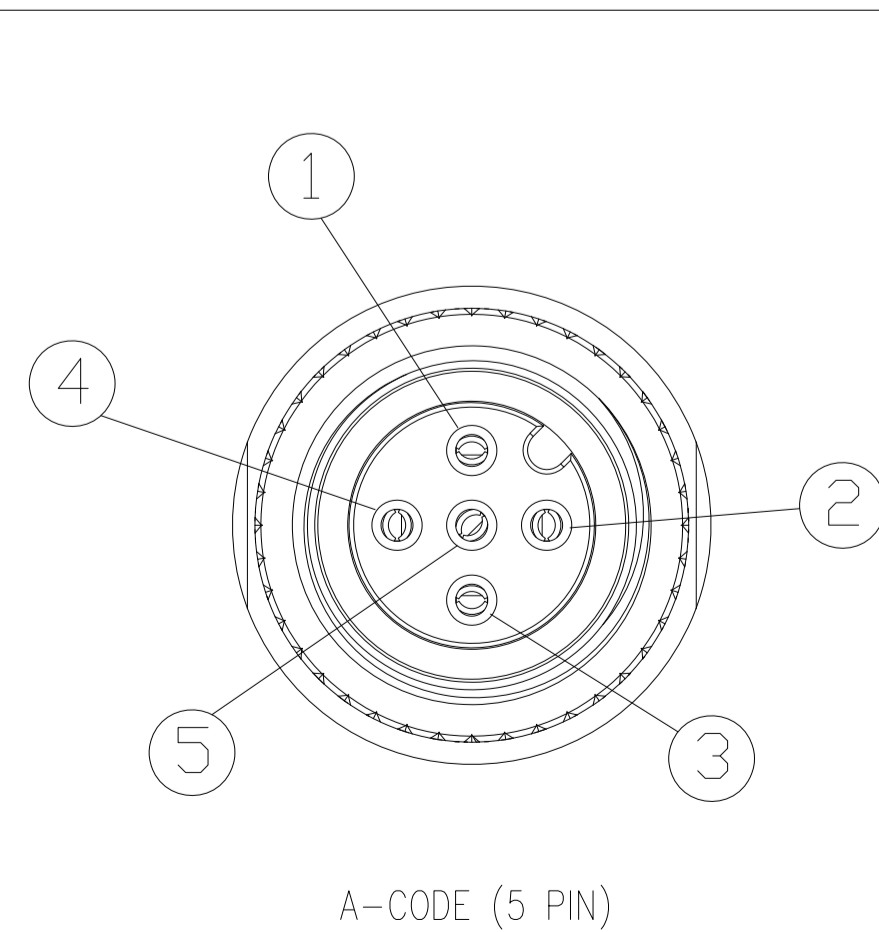
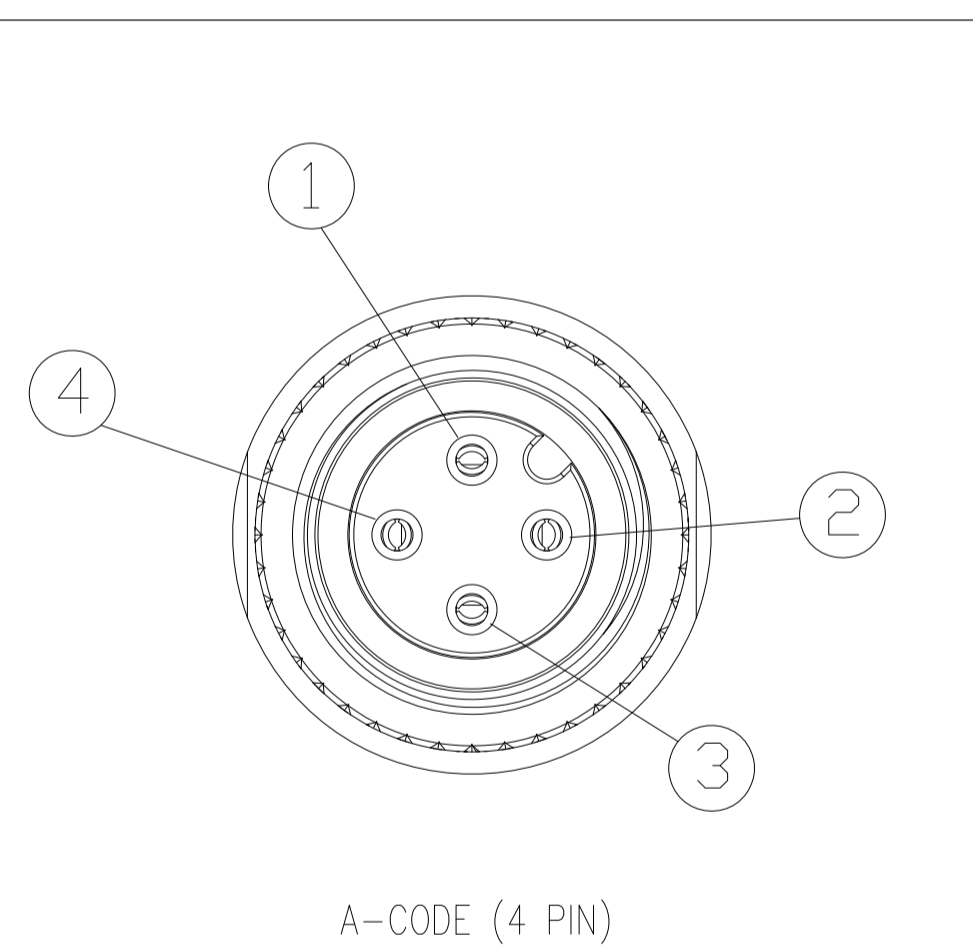
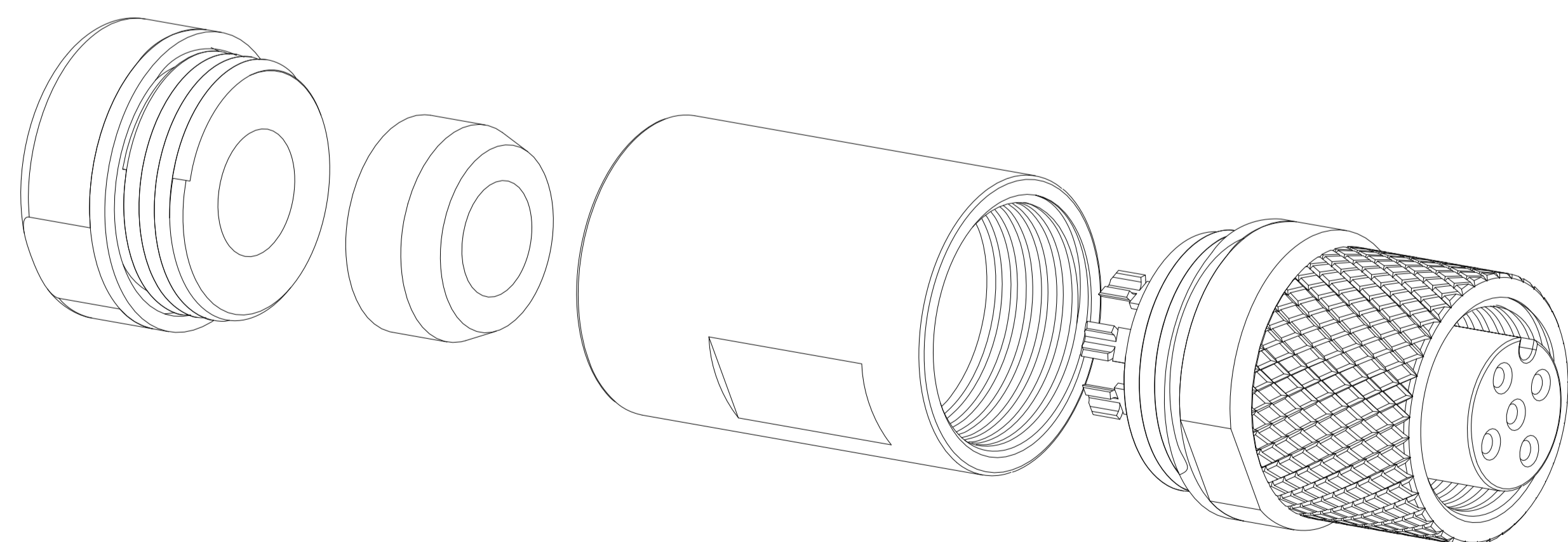
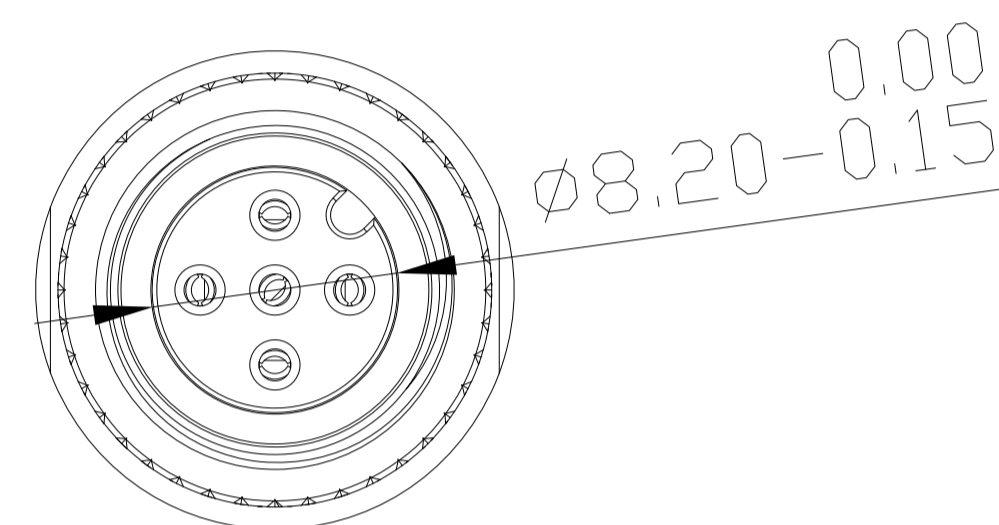
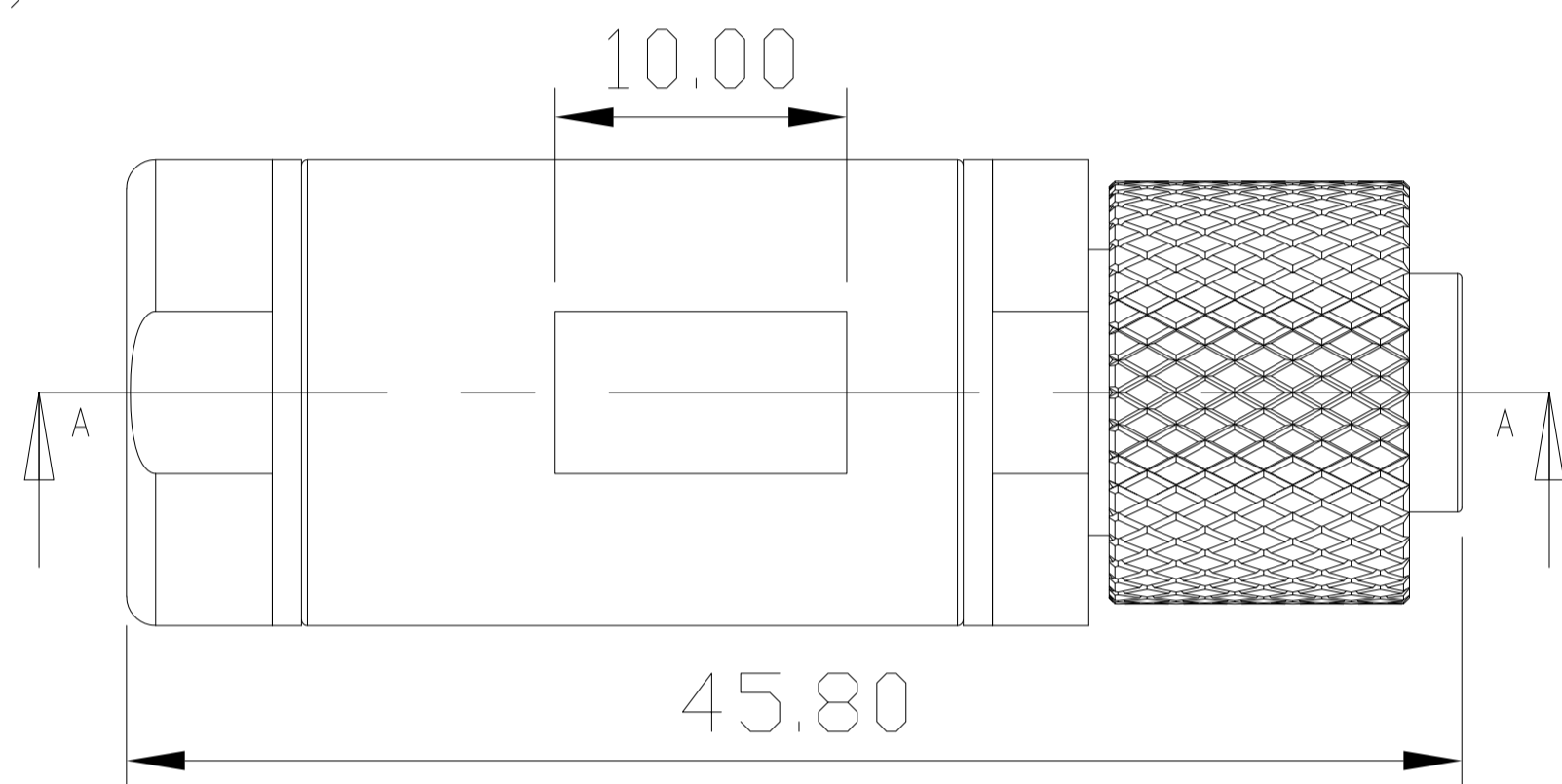
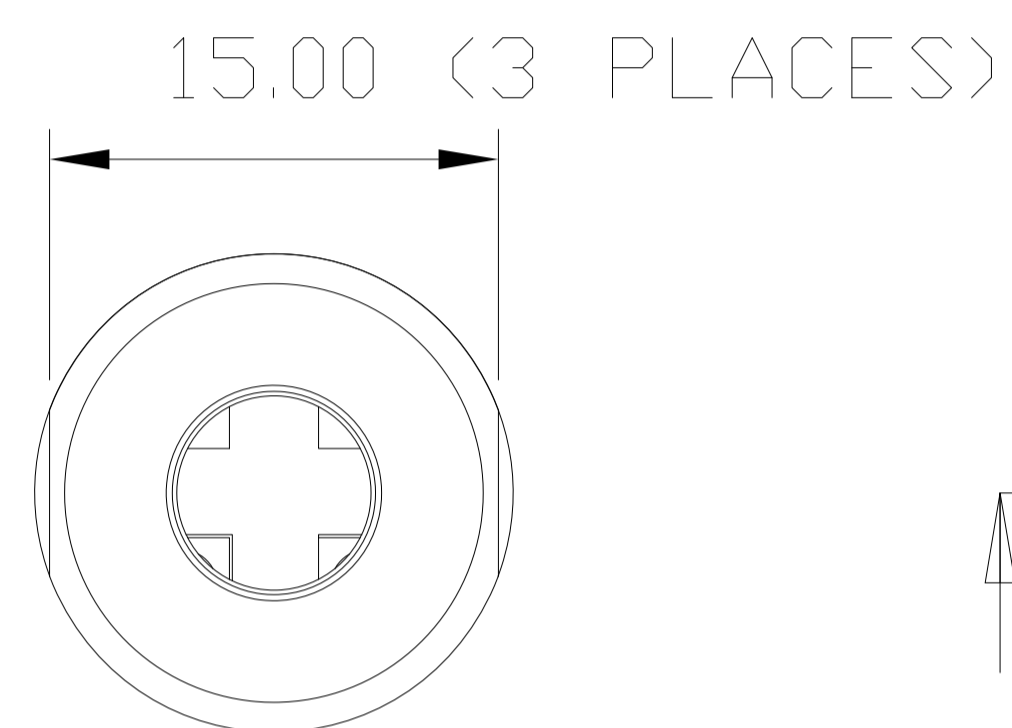
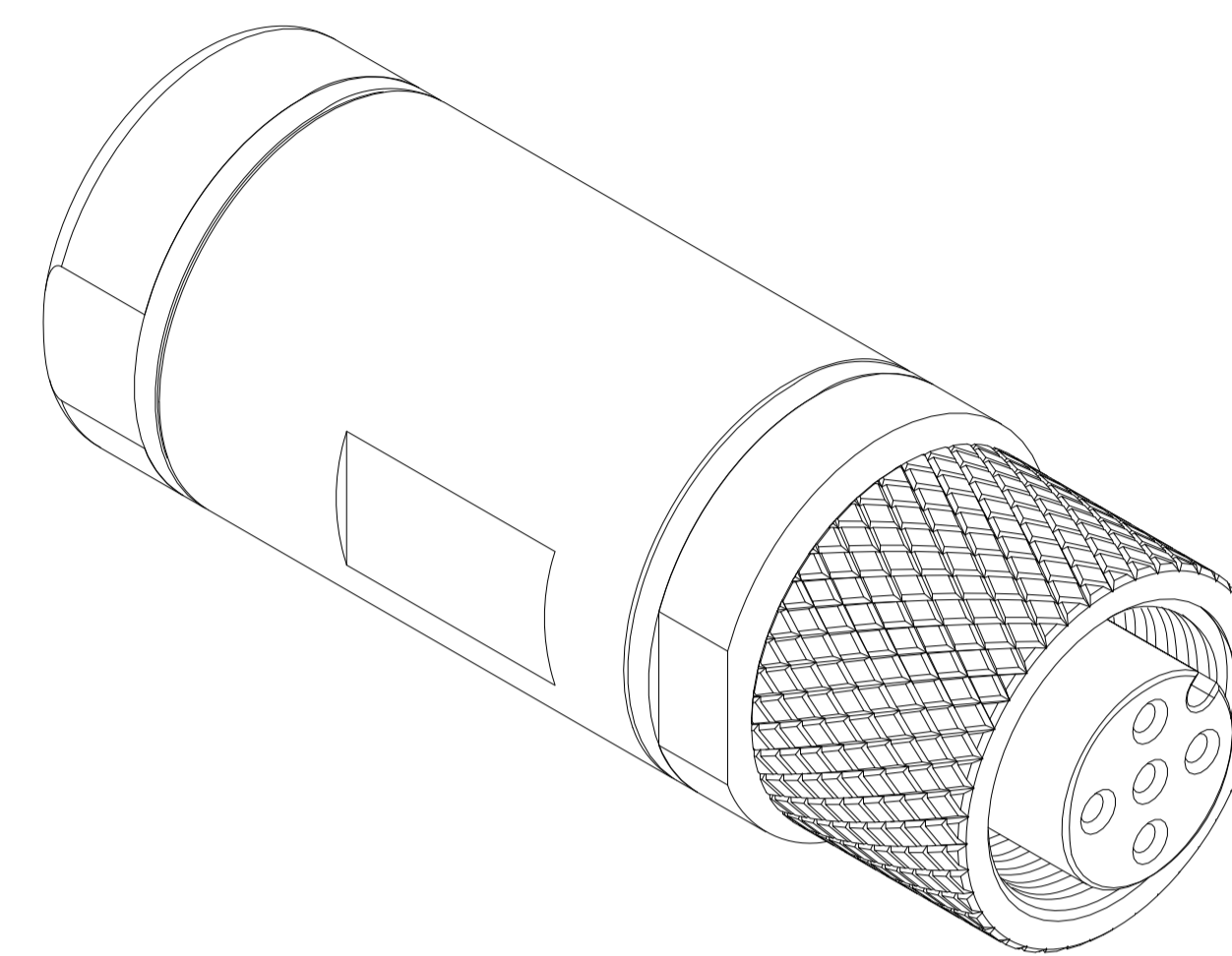
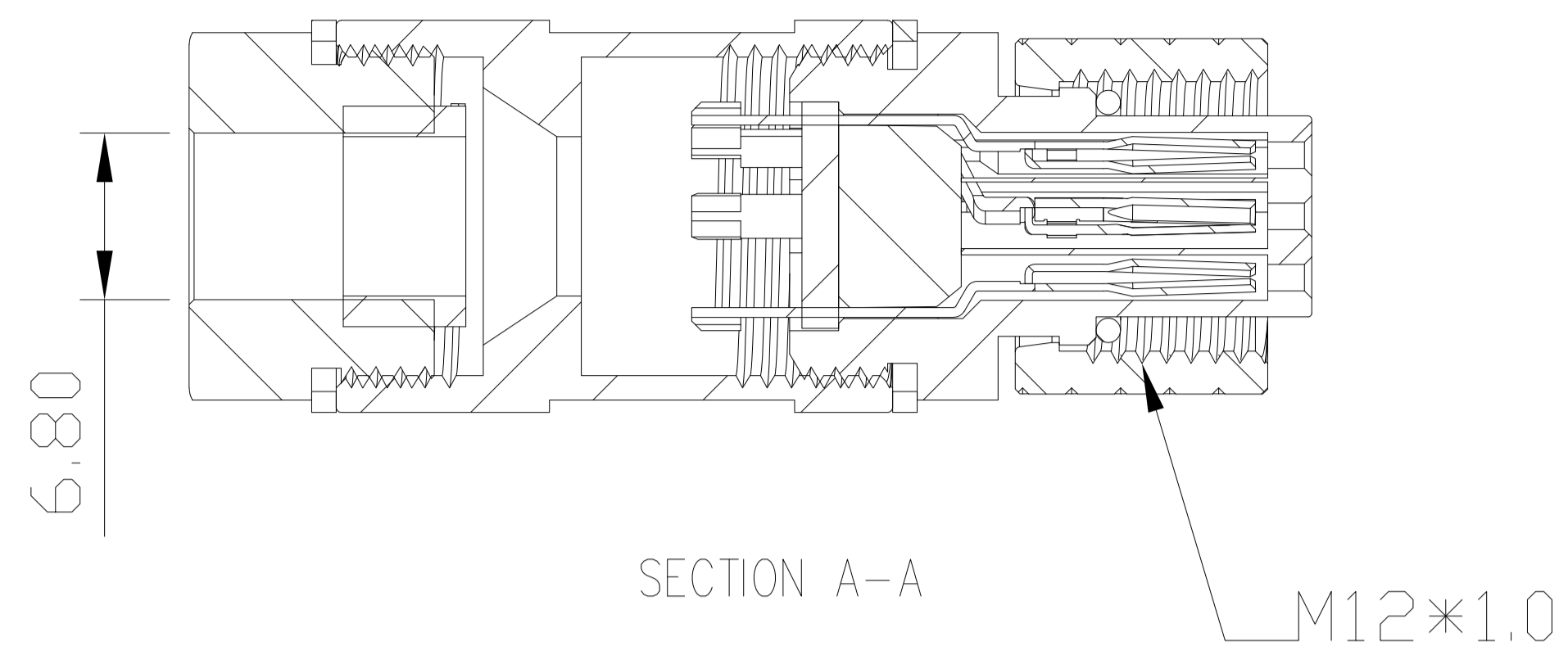


DATE	REV	REVISION CHANGES	ECN	APP'D. BY
09/19/18	A0	AS DRAWN	-	ADB



NOTES:

- CONNECTOR MATERIALS:
HOUSING: THERMOPLASTIC UL94 V-0
CONTACTS/SHIELD: COPPER ALLOY
O-RING MATERIAL: SILICONE UL94 V-0
EPOXY POTTING COMPOUND IN REAR CAVITY
SHIELD PLATING: NICKEL
CONTACT PLATING: SELECTIVE GOLD (1 μIN) OR EQUIVALENT IN THE CONTACT AREA
- FOR PRODUCT SPECIFICATIONS SEE PR039-01
- DIMENSIONS AND TOLERANCES COMPLY WITH IEC 61076-2-101 STANDARD.
- PLUG ACCOMMODATES CABLE $\phi 6.00 - 6.50$
- CODING: A-STANDARD
- TIN PLATED SOLDER CUP CONTACTS ACCOMMODATE 22 AWG WIRE
- CURRENT RATING: 4 AMPS MAX
- INSULATION RESISTANCE: 100 MOHMS MIN @ 500 VDC
- DEGREE OF PROTECTION: IP67
- TEMPERATURE RANGE: -20°C TO +85°C
- MATING CYCLES: 100 INSERTIONS

5	SS-12000-020
4	SS-12000-019
NUMBER OF CONTACTS	PART NUMBER

THIRD ANGLE PROJECTION		11118 Susquehanna Trail South Glen Rock, PA 17327-9199 (717) 235-7512 http://www.stewartconnector.com
DO NOT SCALE DRAWING DRAWING IS SUBJECT TO CHANGE WITHOUT NOTICE	TITLE: FIELD TERMINATED PLUG WITH SOLDER CUP CONTACTS M12-A CODE, FEMALE	DRN BY: BTS DATE 09/06/18 APP'D BY: ADB DATE 09/19/18
DIMENSIONS: METRIC UNLESS OTHERWISE SPECIFIED TOLERANCES ARE ± 0.13 (.005) ANGLES ARE $\pm 1^\circ$	THIS DRAWING AND THE SUBJECT MATTER SHOWN THEREON ARE CONFIDENTIAL AND THE PROPRIETARY PROPERTY OF STEWART CONNECTOR AND SHALL NOT BE REPRODUCED, COPIED, OR USED IN ANY MANNER WITHOUT PRIOR WRITTEN CONSENT OF STEWART CONNECTOR. ONE OR MORE U.S. PATENTS MAY APPLY TO THIS PRODUCT. FOR DETAILS, PLEASE VISIT: HTTP://BELFUSE.COM/STEWART/STEWART_PATENTS/	DWG NO. CT120010 REV. A0
SHEET NO. 1 OF 1		

