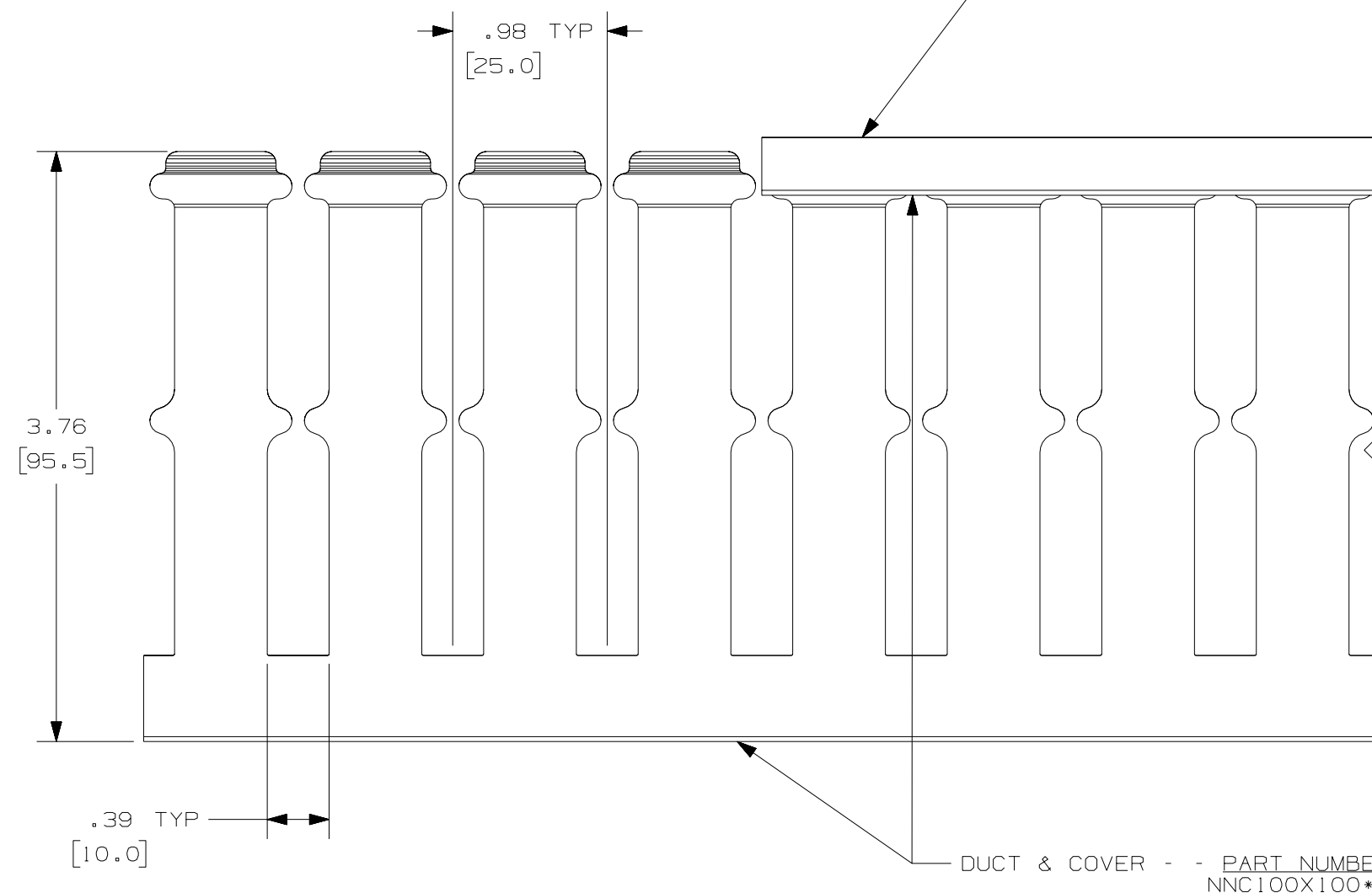
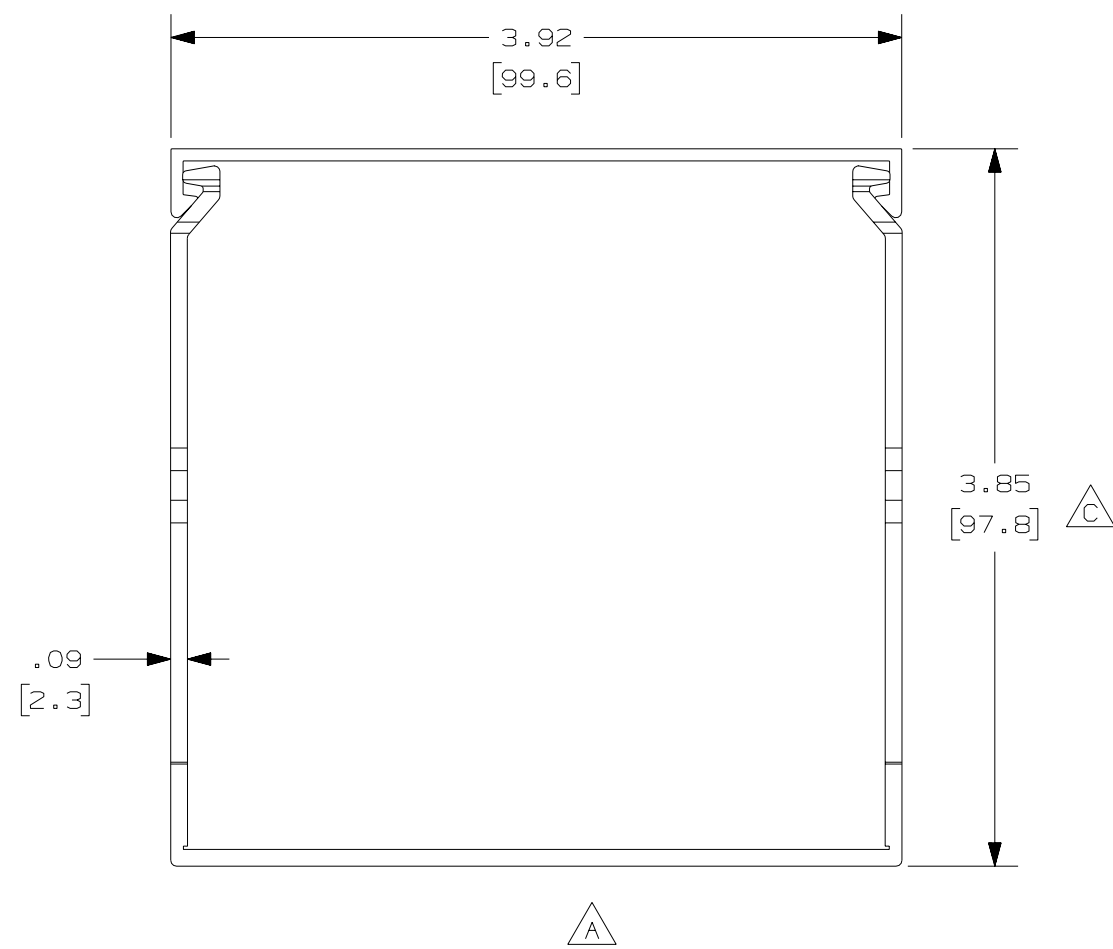
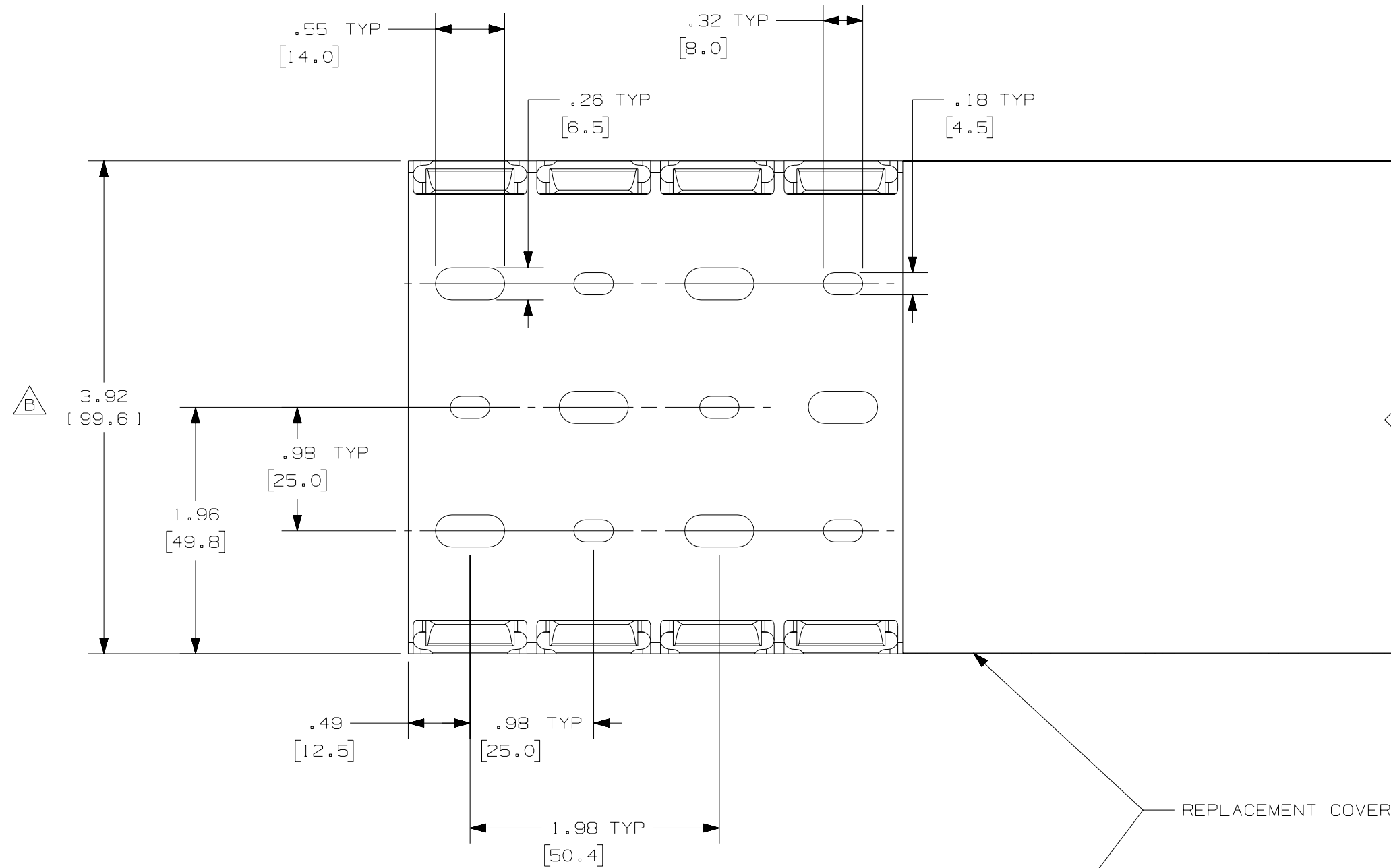


THIS COPY IS PROVIDED ON A RESTRICTED BASIS AND IS NOT TO BE USED IN ANY WAY DETRIMENTAL TO THE INTERESTS OF PANDUIT CORP.



REPLACEMENT COVER - - PART NUMBER NC100\*\*2

DUCT & COVER - - PART NUMBER NNC100X100\*\*2



NOTE.

1. ALL DIMENSIONS ARE REFERENCE ONLY.
2. DIMENSIONS IN PARENTHESES ARE METRIC.
3. THE \*\* DENOTE COLOR.
4. DUCT AND COVER ARE AVAILABLE IN 6.56 FT, 2 METER [2000.0] LENGTHS.

REV	DATE	BY	CHK	DESCRIPTION
--	-----	---	---	E. CHANGED MATERIAL - WAS PVC
--	-----	---	---	D. ADDED LENGTH NOTE C. CORRECTED DIMENSION
I	7/30/07	JCSTMKBE		B. DIMENSION ADDED A. DIMENSION DELETED
R	11/5/04	JCSTMKBE		DRAWING RELEASED

CAD FILENAME/LAYERS		D11000JM_DC_01B	
<b>PANDUIT</b>			
CORP. TINLEY PARK, ILLINOIS			
WIRING DUCT - TYPE NNC DUCT WITH COVER 100X100 MARKETING DRAWING			
DRWN BY JCST	MAT'L:	SCALE FULL	DWG C
DATE 11/5/04	HALOGEN FREE MODIFIED PPO	DRAWING NO. 36897-1038	SIZE C
CHECKED BY MKBE			