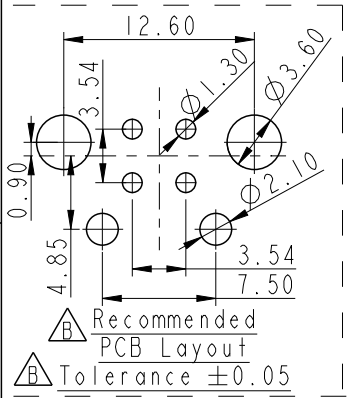
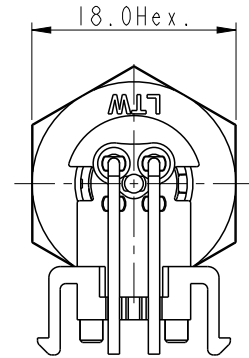
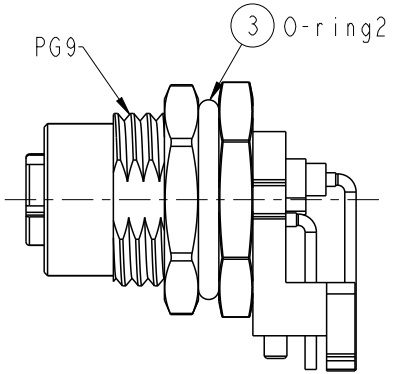
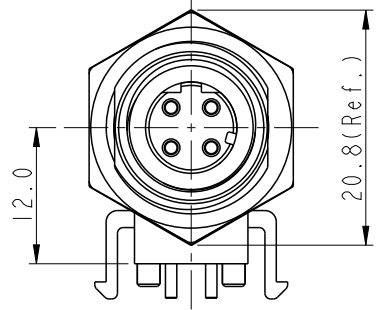
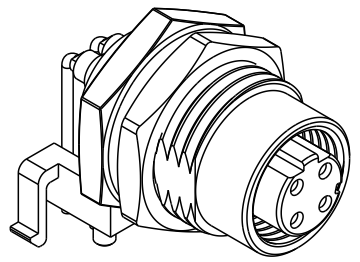
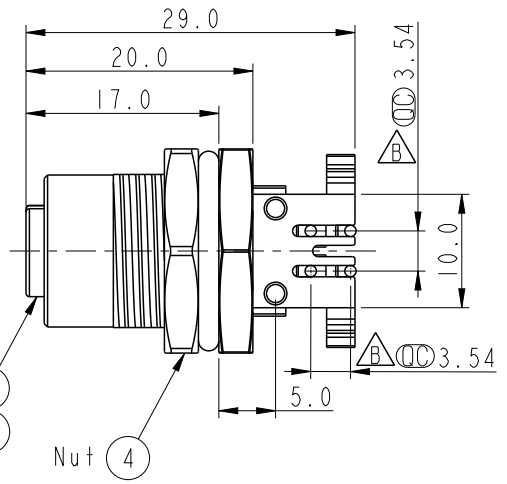


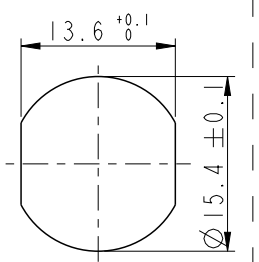
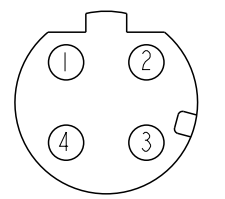
REV.	ECN NO.	DATE	SIGN	DESCRIPTION
B	C180467	2018/11/22	Gill Lai	Change layout dimension



**ALTW**  
**CONFIDENTIAL**  
**2018-11-22**  
**R&D DEPT.**



- Note:
- \*  $\text{CC}$  Important Dimension To Check.
  - \* Waterproof Rate: IP68  
IP68: 1M Depth Of Water In 24hours
  - \* Connector: Nylon+GF, Black
  - \* Female Pin: Copper Alloy, Gold Plated
  - \* Shell: Zinc Alloy, Nickel Plated.
  - \* Nut: Zinc Alloy, Nickel Plated.
  - \* O-ring1: Silicon, Gray
  - \* O-ring2: Silicon, Black
  - \* Boardlock: PBT+PC, Black
  - \* For Panel Thickness Max. 4.5mm
  - \* For PCB Thickness Max. 1.6mm



UNIT: mm

TOLERANCE	
.X	$\pm 0.25$
.XX	$\pm 0.1$
.XXX	$\pm 0.05$
ANGLES	$\pm 1^\circ$

TITLE M12 DCODE 90° PANEL 4PIN FCONN FPIN			
SCALE 3:2	SIZE A4	SHEET 1 OF 1	
REV. B	WC-REV. A.1	$\text{CC}$ : Inspection item	

**Amphenol LTW**  
**安費諾亮泰企業股份有限公司**

ITEM NO. M12D-04PFFR-SF8001	DRAWN BY Gill Lai	DATE 2018/11/22
DWG NO. M12D-04PFFR-SF8001	CHECKED BY Sam Ho	DATE 2018/11/22
CUSTOMER ALTW	APPROVED BY Fred Lee	DATE 2018/11/22

THIS DOCUMENT IS SUBJECT TO CHANGE WITHOUT NOTICE. IT IS CONFIDENTIAL AND A PROPERTY OF Amphenol LTW. DISCLOSURE TO THIRD PARTY HAS TO BE AUTHORIZED BY Amphenol LTW.