



PRODUCT DATASHEET

Florentina series

last update 5/9/2016

DETAILS

Product Number	FCP15704_FLORENTINA-2X2-MRK-S
Family	Florentina
Type	Assembly
Color	black
Diameter	95,57x95,57 mm
Height	17,72 mm
Style	square
Optic Material	PC
Holder Material	
Fastening	pin, screw
Status	production ready
ROHS Compliant	Yes
Date Updated	5/09/2016

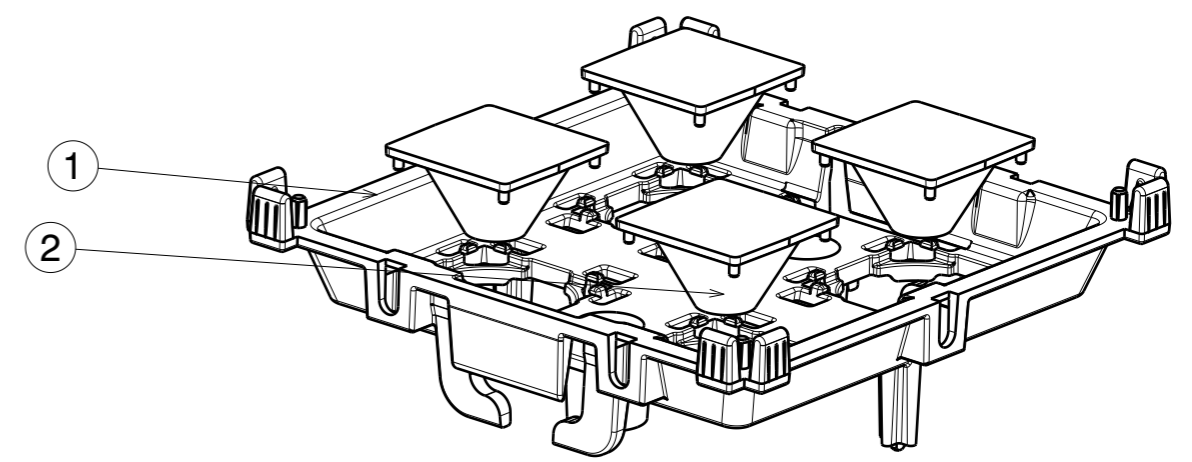
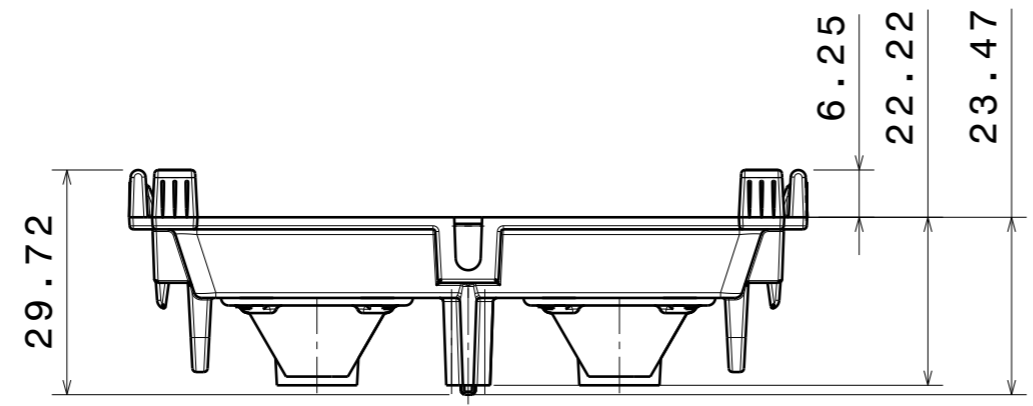


OPTICAL PROPERTIES

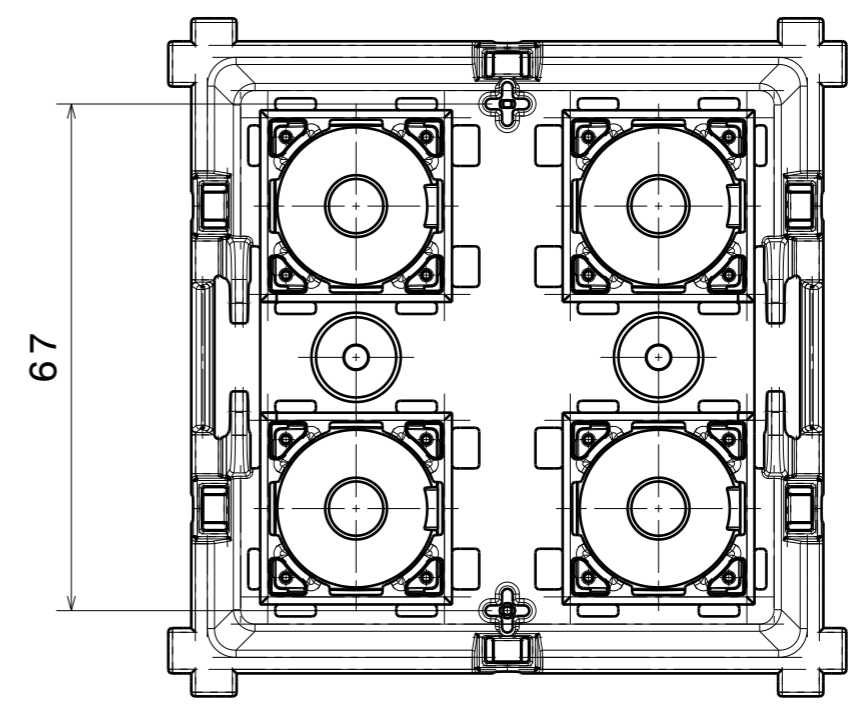
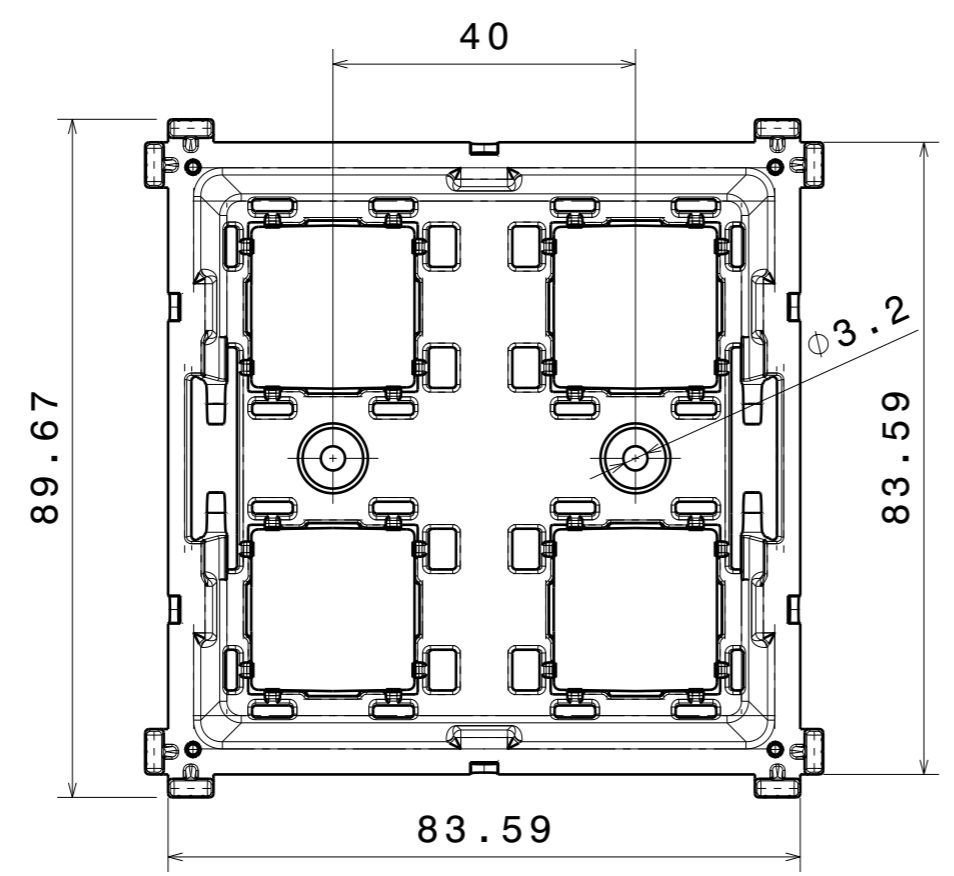
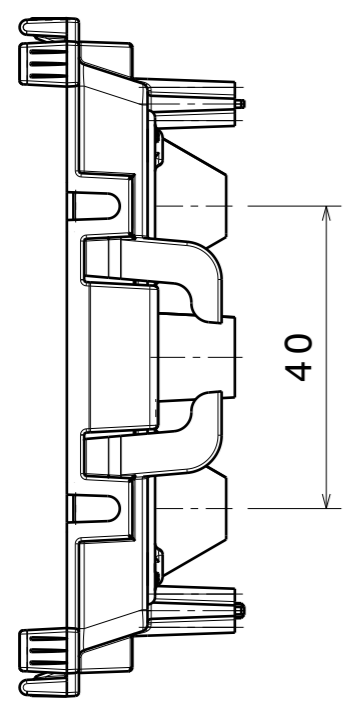
LED	Viewing Angle	Light Beam	Efficiency	cd/lm	Connector
LUXEON M/MX	29 deg	Spot	79 %	1.900	-

H G F E D C B A

4



3



2

2

1

1

H G F E D C B A

INDEX	PART NO	DESCRIPTION	MATERIAL	COLOUR
1		FLORENTINA-HLD	PC	
2		ROSE (4x)	PC	

Tolerances if not otherwise shown
According to DIN ISO 2768-1
Linear measures:
Up to 30mm class M, otherwise class C.
According to DIN ISO 2768-2
Form and position: class L

LEDiL Ledil Oy
Salorankatu 10
FIN 24240 SALO
Finland

THIRD ANGLE PROJECTION:

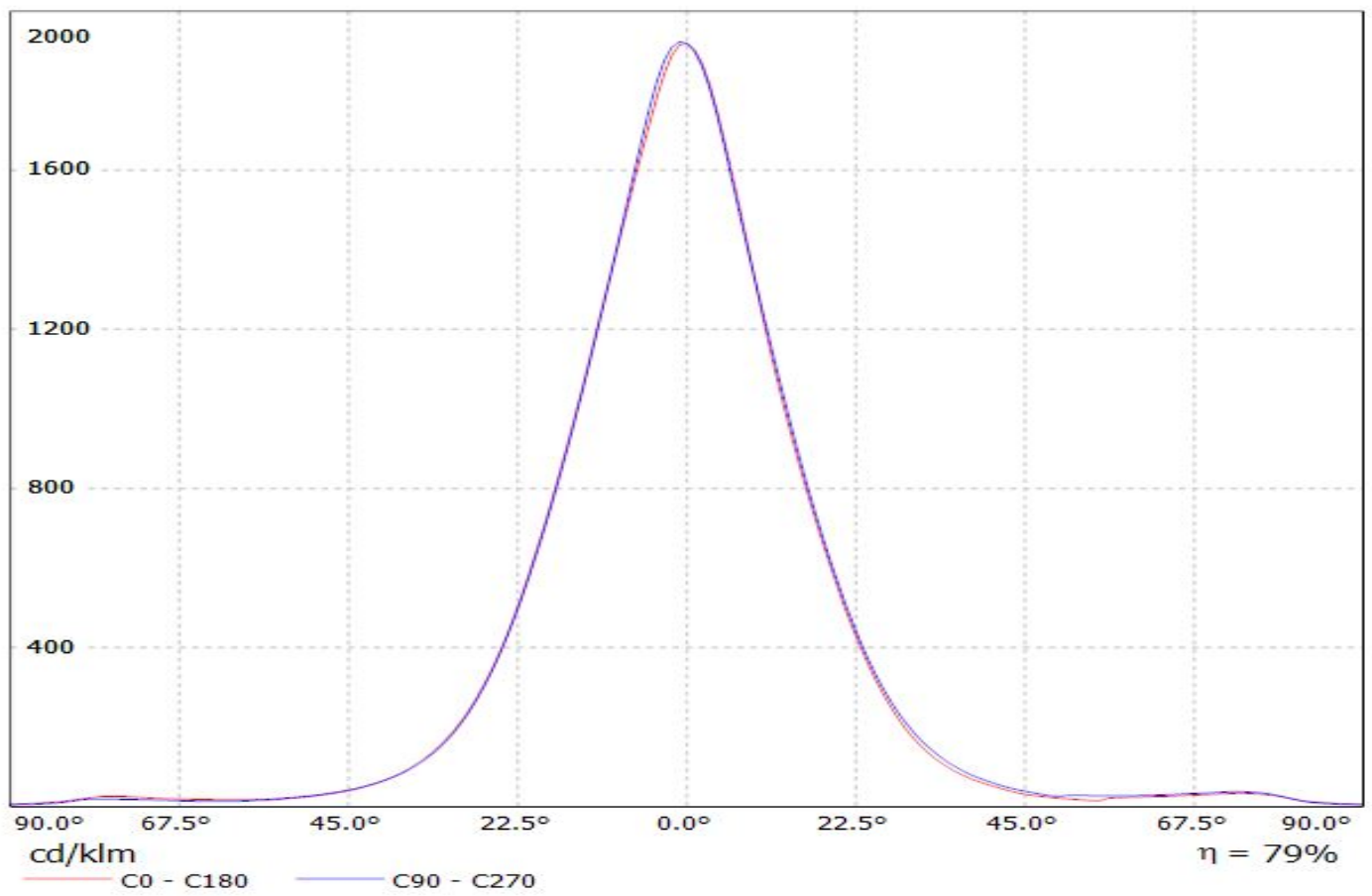
DRAWING TITLE
FLORENTINA-2X2-HLD+LENS

This drawing is the property of LEDiL Oy. It may not be reproduced, copied or communicated without a written agreement with LEDiL Oy.

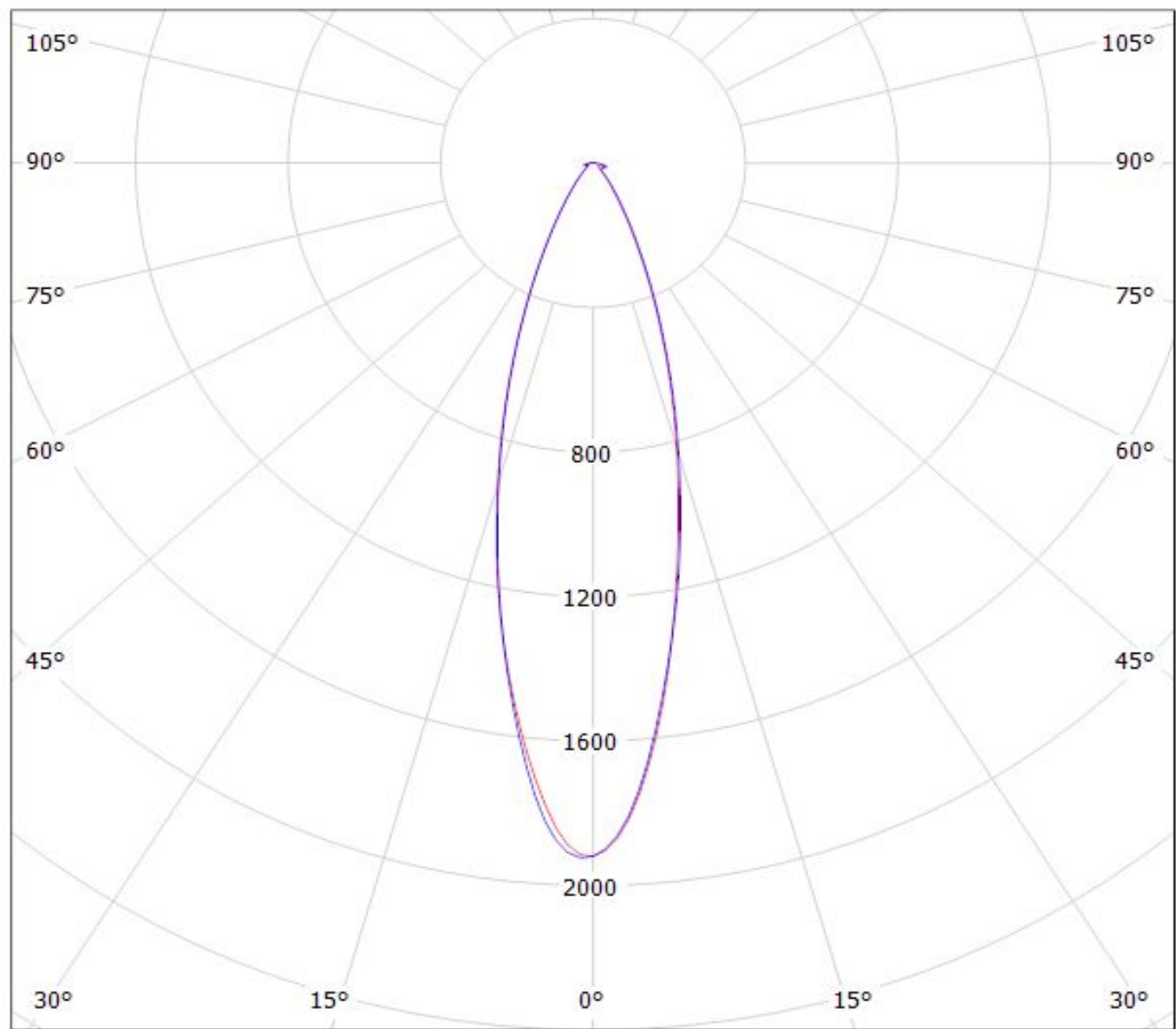
SIZE	PART NUMBER
A3	

SCALE	1:1	WEIGHT	24,17 g	SHEET	1/1
-------	-----	--------	---------	-------	-----

Luminaire: LEDiL Oy FCP15704_FLORENTINA-2X2-MRK-S_(Luxeon_M)
Lamps: 1 x Luxeon_M_(LXM8-SW30)_1404.24lm@250mA_P=11.0899W_I=0.250A



Luminaire: LEDiL Oy FCP15704_FLORENTINA-2X2-MRK-S_(Luxeon_M)
Lamps: 1 x Luxeon_M_(LXM8-SW30)_1404.24lm@250mA_P=11.0899W_I=0.250A



cd/klm

— C0 - C180 — C90 - C270

$\eta = 79\%$

NOTE: The typical divergence will be changed by different color, chip size and chip position tolerance. The typical total divergence is the full angle measured where the luminous intensity is half of the peak value.