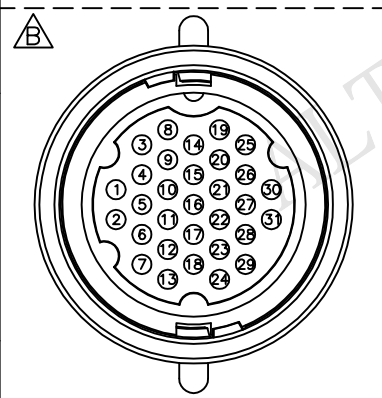
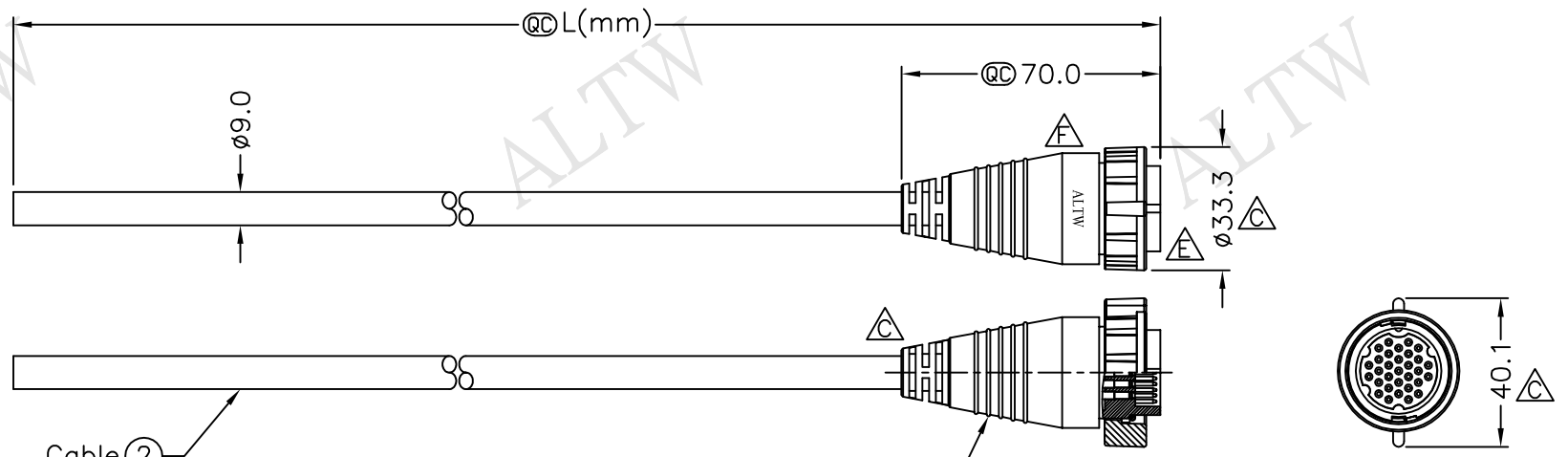


REV.	ECN NO.	DATE	SIGN	DESCRIPTION
D	LEN-0B0187~193	2010/11/15	Zhang Xing	Change the Word of Wire Color.
E	LEN11A0144~150	2011/10/14	Vicky	Add Key Point.
F	LEN14B0051~057	2014/10/28	Sam	Change Logo



Pin Assignments
Front View



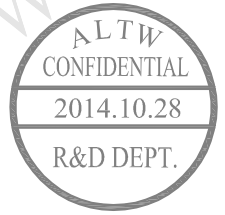
16	Orange/White	橙/白	31	Light Blue/Red	淺藍/紅
15	Red/White	紅/白	30	Light Blue/Black	淺藍/黑
14	Brown/White	棕/白	29	Light Blue	淺藍
13	Black/White	黑/白	28	Pink/Green	粉紅/綠
12	Light Green	淺綠	27	Pink/Blue	粉紅/藍
11	Pink	粉紅	26	Pink/Red	粉紅/紅
10	White	白	25	Pink/Black	粉紅/黑
9	Gray	灰	24	Gray/Black	灰/黑
8	Purple	紫	23	Green/Black	綠/黑
7	Blue	藍	22	Yellow/Black	黃/黑
6	Green	綠	21	Orange/Black	橙/黑
5	Yellow	黃	20	Red/Black	紅/黑
4	Orange	橙	19	Purple/White	紫/白
3	Red	紅	18	Blue/White	藍/白
2	Brown	棕	17	Green/White	綠/白
1	Black	黑			
Conn.	Wire Color		Conn.	Wire Color	
	Pin Out			Pin Out	

ED-31AFMM-LL7AXX



- XX:01~99Meters
- 01:01Meter
- 02:02Meters
- :
- :
- 99:99Meters

Cable Length(L):01~99Meters



Note:

- * @C Important Dimension To Check.
- * Waterproof Rate:IP67.
- * Connector:Nylon+GF,Black.
- * Male Pin:Copper Alloy,Gold Plated.
- * Cable:UL2464 26AWG*31C+Drain+Al/My,Black, PVC Jacket,UV Resistant,OD=9.0mm.
- * Cable Length Tolerance: 01M:±40mm
02M~05M:±60mm
06M~10M:±100mm
11M~30M:±200mm
31M~99M:±500mm

UNIT:mm		TITLE	Macro
TOLERANCE	±0.5 mm	Cable Lock 31P F Conn M Pin	
SCALE	Free	SHEET 1 OF 1	
REV.	F	SIZE	A4
		@C	:Inspection Item

Amphenol LTW
安費諾亮泰企業股份有限公司

ITEM NO	DRAWN BY	DATE
DWG NO	CHECKED BY	DATE
CUSTOMER	APPROVED BY	DATE
ED-31AFMM-LL7AXX	Sam	2014/10/28
ALTW	Vicky	2014/10/28
	Rita	2014/10/28

THIS DOCUMENT IS SUBJECT TO CHANGE WITHOUT NOTICE. IT IS CONFIDENTIAL AND A PROPERTY OF Amphenol LTW. DISCLOSURE TO THIRD PARTY HAS TO BE AUTHORIZED BY Amphenol LTW.