

1

2

3

4

5

6

7

A

Male

B

C

D

E

F

G

H

A

B

C

D

E

F

G

H

NOTES:

MATERIAL

1. Insulator Material: Glass-filled thermoplastic PBT, UL94V-0
 2. Insulator color :Black
 3. Shell :Steel, 100 μ" Tin Over 50μ" min Copper
 4. Contact: Brass
 5. Housing: Zytel FR-50 UL94V-0, Standard colour black

ELECTRICAL

1. Contact Resistance: 30mOhm max. at DC 100mA
 2. Insulator Resistance: 1000MOhm Min. at DC 500V
 3. Current Rating: 3 AMP
 4. Dielectric Withstanding Voltage: AC 500V for 1 minute
 OPERATING TEMPERATURE: -20°C+85°C

Order Code:

A-Dx CR xx FZ

Contact style:
F - Female
S - MaleNo. of Contacts
09 / 15 / 25 / 37

50 Positions

Dimensions

Positions	A	B	C	E	F
09	30.81	24.99	16.92	11.08	19.20
15	39.20	33.30	25.25	19.39	27.70
25	53.05	47.04	38.96	33.24	41.10
37	69.40	63.50	55.42	49.86	57.30

RoHS compliant

Unit: mm

File No.: E198287

Scale	Free				Date	Name	Customer-No.
TOLERANCE				Drawn	15.08.2012	Lucas	ASSMANN WSW-No. A-Dx CR xx FZ
X.	±0.38			Approved	15.08.2012	Winnie	
X.X	±0.25						
X.XX	±0.13						
DIM	TOL						Drawing-No.
X.°	±3°						ASS 4893 CO
X.X°	±1.0°	ⓐ	Drawn	15.08.2012	Lucas	rev00	
Angle	TOL	Id.	Modification	Date	Name		Sheet 1/2

1

2

3

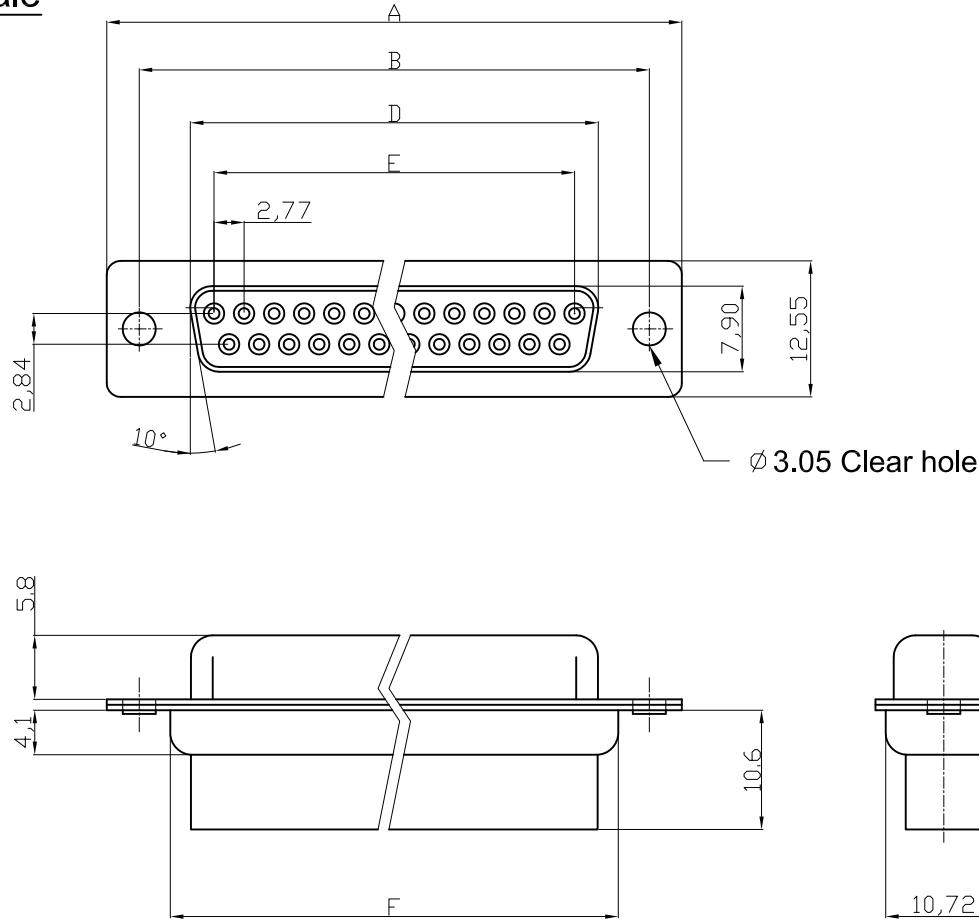
4

5

6

7

Female



NOTES:

MATERIAL

1. Insulator Material: Glass-filled thermoplastic PBT, UL94V-0 rated
2. Contact Material: Brass or Phosphor Bronze
3. Shell :Steel, 100 μ " Tin Over 50 μ " min Nickel
4. Clinch Nut: Brass, 100 μ " min Nickel Plated
5. Boardlock: Brass, 100 μ " min Nickel Plated
6. Screwlock: Brass, 100 μ " min Nickel Plated

ELECTRICAL

1. Current Rating : 3 AMP
2. Voltage Rating : 250V AC/rms 60Hz
3. Contact Resistance: 20m Ω Max at 1 AMP DC
4. Insulation Resistance: 1000M Ω at 500 VDC
5. Withstand Voltage: 1000V AC/rms 60Hz for 1 minute
6. Operating Temperature: -20°C+85°C

Dimensions

Positions	A	B	D	E	F
09	30.81	24.99	16.33	11.08	19.02
15	39.20	33.30	24.70	19.39	27.70
25	53.05	47.04	38.40	33.24	41.10
37	69.40	63.50	54.80	49.86	57.30

RoHS compliant

Unit: mm



File No.: E198287

Scale	Free				Date	Name	Customer-No.
TOLERANCE					Drawn	Lucas	
X.	±0.38				Approved	Winnie	
X.X	±0.25						
X.XX	±0.13						
DIM	TOL						
X.°	±3°						
X.X°	±1.0°	ⓐ	Drawn	15.08.2012	Lucas		
Angle	TOL	Id.	Modification	Date	Name		



ASSMANN WSW-No. A-Dx CR xx FZ	
Drawing-No. ASS 4893 CO	rev00
Replace	Sheet 2/2

1

2

3

4

5

6

7