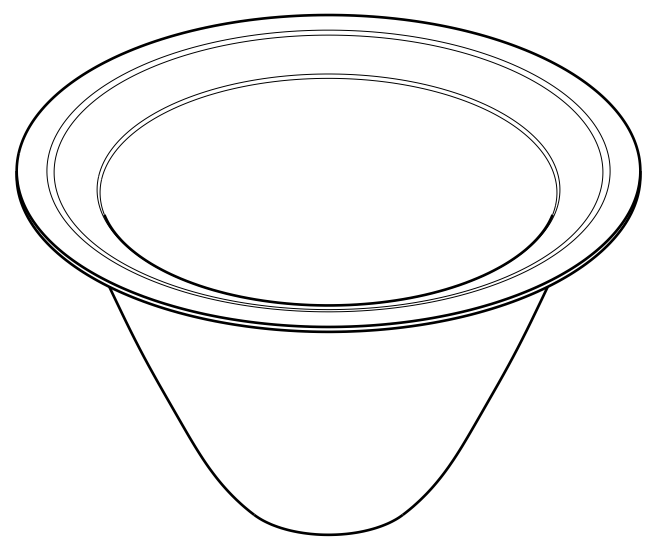
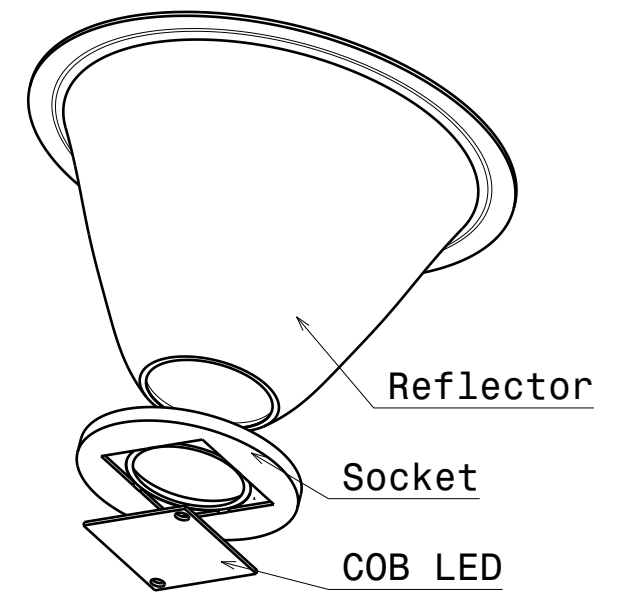


Front View
Scale: 3:4

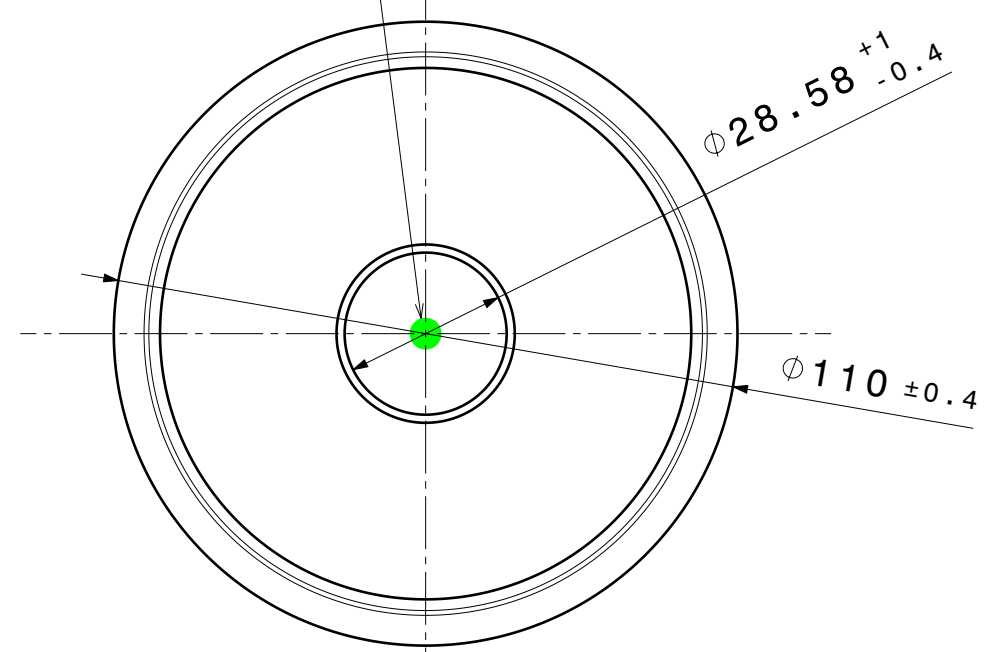


Isometric View
Scale: 3:4

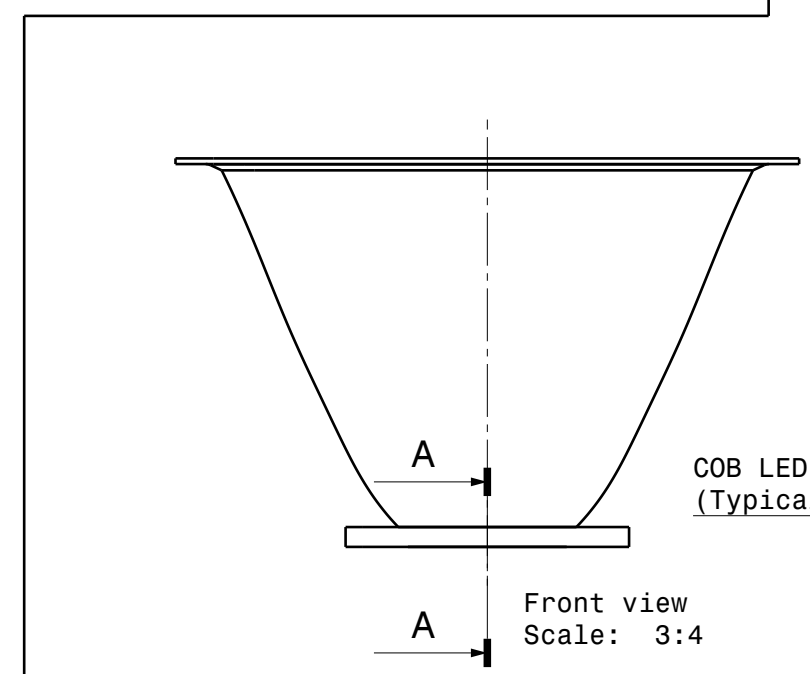
Typical assembly example:



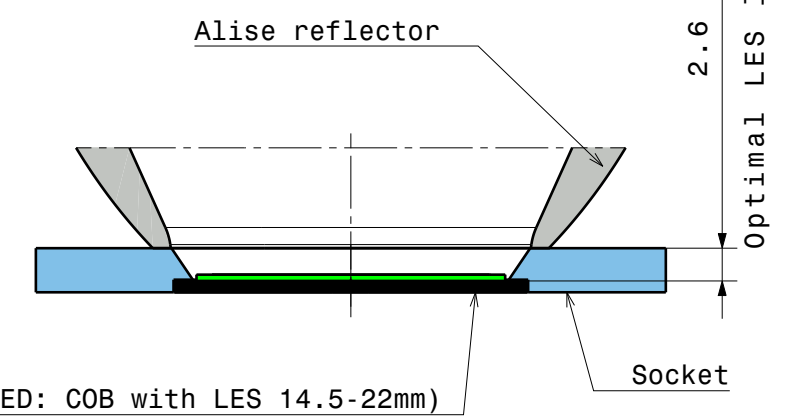
Isometric view
Scale: 3:5



Bottom View
Scale: 3:4



Front view
Scale: 3:4



Section view A-A
Scale: 5:3

PART	TYPE	MATERIAL
C16899/C16900/C16901/C16902_ALISE-110	Reflector	Aluminium

MECHANICAL DRAWING	
PRODUCT	ALISE
FIRST ANGLE PROJECTION: 	
SCALE	1:1

LEDiL®

This drawing is the property of LEDiL Oy. It may not be copied or otherwise distributed without prior written permission from LEDiL Oy.

A3 SHEET 1/1

Notes

	PCB or heatsink level.
	LED location
	Ensure LED fitting from a product specific 3D model available from www.ledil.com
	For more details about installation please see LEDiL Installation Guide on www.ledil.com