



LAYOUT SHOWN AS EXAMPLE

Keying Shown as example

CHARACTERISTICS

- Standard : Based on MIL-DTL-38999 Series III
- Shell Material : Aluminium
- Shell Plating : Olive drab Cadmium
- Insulator : Thermoplastic
- Contacts : Copper Alloy
- Seals & Grommet : Silicon Elastomer
- Contact Plating : Gold over copper Alloy 0.8µm minimum
- Durability : 500 Mating cycles
- Delivered with Souriau contacts and Accessories
- Temperature Range : -65°C to +175°C
- Salt Spray : 500 hours
- Mass : 81.47 g ± 10%

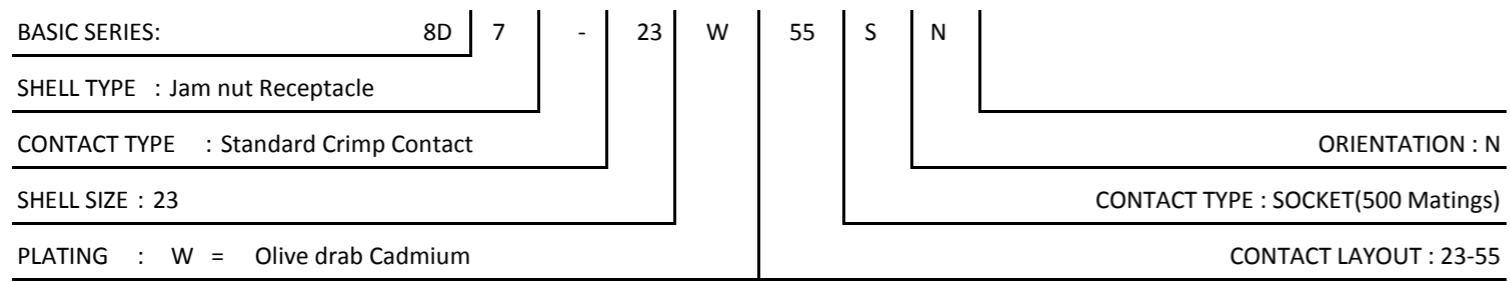
Connector dimension	
Dim	Nominal
A	55.6±0.3
B	39.67+0.1/-0.15
R	32.5Max
S	52.4±0.4
W	3+0.9/-0.1
VV THREAD	M34x1-6g

SOURIAU shall not be liable for any non-conformity or damage due to a use of the Products which does not comply with the Specifications issued by either of the Parties or by a third party (professional recommendation, technical notice.)

Country	Jurisdiction & Control List
FR	Not Listed

PN: 8D723W55SN

A	01-10-2016	First Release	
ISS	DATE	Latest modification - by	MOD N°
Designed By:		Date:	CUSTOMER DRAWING
TITLE	Aluminium Receptacle 8D series		
SCALE		General linear Tolerances: ±--	NPRDS / PROJECT 859
NA			
SOURIAU	WWW.SOURIAU.COM		This document is the property of SOURIAU it must not be reproduced or communicated without permission
FORMAT	SOURIAU DRG N° 8D723W55SN-C		SHEET 1/2



Contact Layout

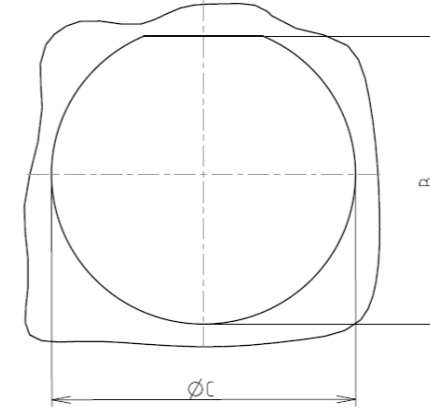


Contacts (Insert arrangement 23-55)					
Contact position ID	Location		Contact position ID	Location	
	X-axis (mm)	Y-axis (mm)		X-axis (mm)	Y-axis (mm)
A	+112 (2.84)	+455 (11.56)	f	-112 (2.84)	-325 (8.26)
B	+225 (5.72)	+390 (9.91)	g	-225 (5.72)	-260 (6.60)
C	+336 (8.53)	+325 (8.26)	h	-336 (8.53)	-195 (4.95)
D	+450 (11.43)	+130 (3.30)	i	-336 (8.53)	-065 (1.65)
E	+450 (11.43)	+000 (0.00)	j	-336 (8.53)	+065 (1.65)
F	+450 (11.43)	-130 (3.30)	k	-336 (8.53)	+195 (4.95)
G	+336 (8.53)	-325 (8.26)	m	-225 (5.72)	+260 (6.60)
H	+225 (5.72)	-390 (9.91)	n	-112 (2.84)	+325 (8.26)
J	+112 (2.84)	-455 (11.56)	p	+000 (0.00)	+260 (6.60)
K	-112 (2.84)	-455 (11.56)	q	+112 (2.84)	+195 (4.95)
L	-225 (5.72)	-390 (9.91)	r	+225 (5.72)	+130 (3.30)
M	-336 (8.53)	-325 (8.26)	s	+225 (5.72)	+000 (0.00)
N	-450 (11.43)	-130 (3.30)	t	+225 (5.72)	-130 (3.30)
P	-450 (11.43)	+000 (0.00)	u	+112 (2.84)	-195 (4.95)
R	-450 (11.43)	+130 (3.30)	v	+000 (0.00)	-260 (6.60)
S	-336 (8.53)	+325 (8.26)	w	-112 (2.84)	-195 (4.95)
T	-225 (5.72)	+390 (9.91)	x	-225 (5.72)	-130 (3.30)
U	-112 (2.84)	+455 (11.56)	y	-225 (5.72)	+000 (0.00)
V	+000 (0.00)	+390 (9.91)	z	-225 (5.72)	+130 (3.30)
W	+112 (2.84)	+325 (8.26)	AA	-112 (2.84)	+195 (4.95)
X	+225 (5.72)	+260 (6.60)	BB	+000 (0.00)	+130 (3.30)
Y	+336 (8.53)	+195 (4.95)	CC	+112 (2.84)	+065 (1.65)
Z	+336 (8.53)	+065 (1.65)	DD	+112 (2.84)	-065 (1.65)
a	+336 (8.53)	-065 (1.65)	EE	+000 (0.00)	-130 (3.30)
b	+336 (8.53)	-195 (4.95)	FF	-112 (2.84)	-065 (1.65)
c	+225 (5.72)	-260 (6.60)	GG	-112 (2.84)	+065 (1.65)
d	+112 (2.84)	-325 (8.26)	HH	+000 (0.00)	+000 (0.00)
e	+000 (0.00)	-390 (9.91)	---	---	---

Shell size	Arrangement no.	Number of contacts	Size contacts	Service rating	Contact location	Supersedes
23	-55	55	20	I	All	---

Panel cutout

JAM NUT RECEPTACLE (TYPE 7)



Dim	Nominal
B	40.26+0/-0.25
ØC	41.53+0.25/-0

SOURIAU shall not be liable for any non-conformity or damage due to a use of the Products which does not comply with the Specifications issued by either of the Parties or by a third party (professional recommendation, technical notice.)

Country	Jurisdiction & Control List
FR	Not Listed

PN: 8D723W55SN

A	01-10-2016	First Release	
ISS	DATE	Latest modification - by	MOD N°
Designed By:		Date:	CUSTOMER DRAWING
TITLE	Aluminium Receptacle 8D series		
SCALE		General linear Tolerances:	NPRDS / PROJECT
NA		±--	859
SOURIAU	WWW.SOURIAU.COM		This document is the property of SOURIAU it must not be reproduced or communicated without permission
FORMAT	SOURIAU DRG N° 8D723W55SN-C		SHEET 2/2