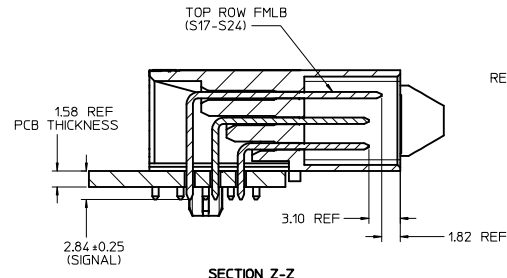
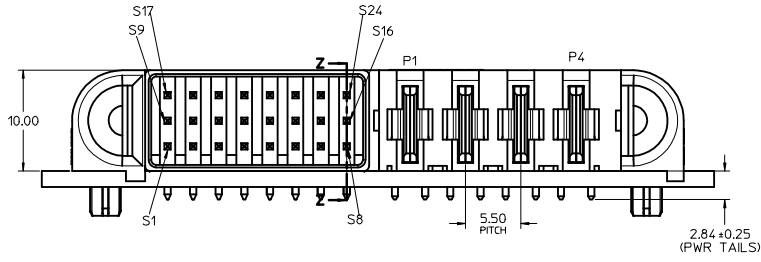
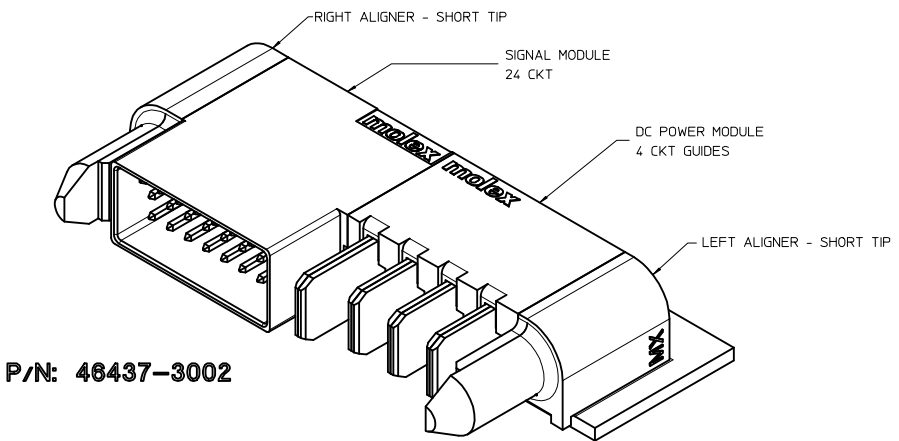
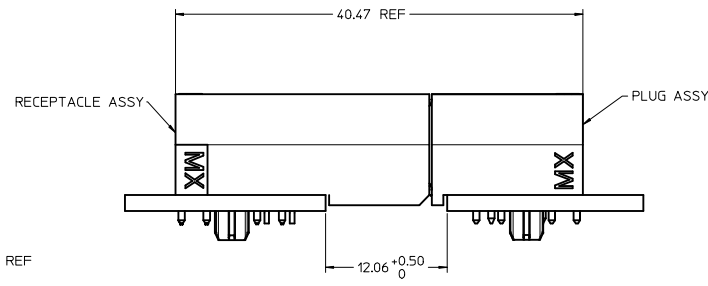


RECOMMENDED PCB LAY-OUT AND KEEP-OUT ZONE



SECTION Z-Z



P/N: 46437-3002

- NOTES:
- MATERIAL:
    - HOUSINGS: LCP UL94, V-0, COLOR: BLACK.
    - TERMINALS: COPPER ALLOY.
    - PLATING: 0.00127 NICKEL OVERALL WITH 0.00254 SELECTIVE TIN ON SOLDER TAILS AND 0.000762 SELECTIVE GOLD ON CONTACT AREA.
  - ASSEMBLIES PACKED IN TRAYS, SPO: T80
  - PC BOARD REQUIRES SOLDER THRU HOLES, REFER TO PS-46436-100 FOR DETAILS
  - PRODUCT SPEC: PS-46436-100.
  - APPLICATION SPEC: AS-46436-100.
  - PRODUCT TO MEET RoHS REQUIREMENTS.
  - ASSEMBLY MATES TO MOLEX RECEPTACLE ASSEMBLY P/N 46436-3002 OR 46562-3002.

RELEASED INITIAL BEEB/08/25/46 D 2009/05/05 CHYD/KJKH APPR:APATEL 2009/05/05	DESCRIPTION RA PLUG ASSY	QUALITY SYMBOLS		GENERAL TOLERANCES (UNLESS SPECIFIED)		DIMENSION STYLE MM ONLY		SCALE NTS	DESIGN UNITS METRIC	THIRD ANGLE PROJECTION																																
				<table border="1"> <tr> <th>mm</th> <th>INCH</th> </tr> <tr> <td>4 PLACES ±---</td> <td>±---</td> </tr> <tr> <td>3 PLACES ±---</td> <td>±---</td> </tr> <tr> <td>2 PLACES ±0.25</td> <td>±---</td> </tr> <tr> <td>1 PLACE ±0.25</td> <td>±---</td> </tr> <tr> <td colspan="2">ANGULAR ±1/2°</td> </tr> </table>		mm	INCH	4 PLACES ±---	±---	3 PLACES ±---	±---	2 PLACES ±0.25	±---	1 PLACE ±0.25	±---	ANGULAR ±1/2°		<table border="1"> <tr> <th>DRAWN BY</th> <th>DATE</th> <th>TITLE</th> </tr> <tr> <td>KJKH</td> <td>2009/03/11</td> <td>RA PLUG ASSY</td> </tr> <tr> <th>CHECKED BY</th> <th>DATE</th> <th></th> </tr> <tr> <td>KJKH</td> <td>2009/03/11</td> <td>TEN60 POWER GUIDES</td> </tr> <tr> <th>APPROVED BY</th> <th>DATE</th> <th></th> </tr> <tr> <td>SHONG</td> <td></td> <td>G-24S-4P_G</td> </tr> </table>		DRAWN BY	DATE	TITLE	KJKH	2009/03/11	RA PLUG ASSY	CHECKED BY	DATE		KJKH	2009/03/11	TEN60 POWER GUIDES	APPROVED BY	DATE		SHONG		G-24S-4P_G	MOLEX INCORPORATED		MATERIAL NO. 46437-3002	DOCUMENT NO. SD-46437-302	SHEET NO. 1 OF 1
		mm	INCH																																							
		4 PLACES ±---	±---																																							
3 PLACES ±---	±---																																									
2 PLACES ±0.25	±---																																									
1 PLACE ±0.25	±---																																									
ANGULAR ±1/2°																																										
DRAWN BY	DATE	TITLE																																								
KJKH	2009/03/11	RA PLUG ASSY																																								
CHECKED BY	DATE																																									
KJKH	2009/03/11	TEN60 POWER GUIDES																																								
APPROVED BY	DATE																																									
SHONG		G-24S-4P_G																																								
DRAFT WHERE APPLICABLE MUST REMAIN WITHIN DIMENSIONS		SIZE A		THIS DRAWING CONTAINS INFORMATION THAT IS PROPRIETARY TO MOLEX INCORPORATED AND SHOULD NOT BE USED WITHOUT WRITTEN PERMISSION																																						