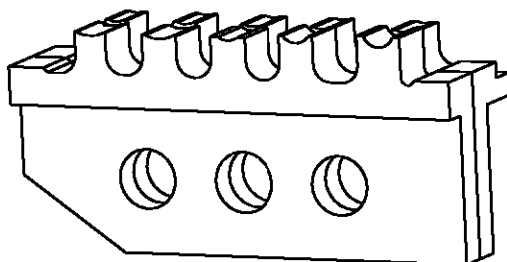
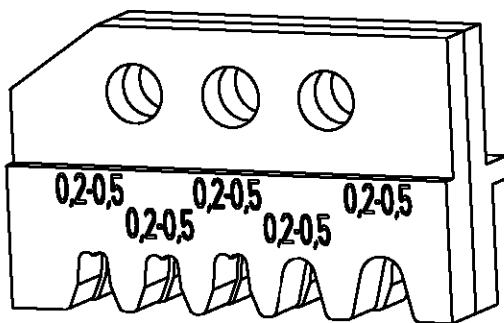


LOC	DIST	REVISIONS					
A1	-	P	LTR	DESCRIPTION	DATE	DWN	APVD

Kontakt Contact	DGB (mm <sup>2</sup> ) Wire Range	Drahtcrimp/Wirecrimp Hoehe/Height   Breite/Width		Isocrimp Breite/Width	Iso.-∅ Ins. Range	Betriebsanl. Instr. Sheet
160922	0.2-0.5	0.88	1.40	2.03	1.0-1.6	411-18205
166316 / 926985 / 927780 / 927872 / 967260	0.2-0.5	0.96	1.58	2.30	1.0-1.6	
160923 / 928907 / 964140	0.2-0.5	1.13	1.78	2.30	1.0-1.6	
927776 / 929951	0.2-0.5	1.03	1.58	2.30	1.0-1.6	
928989	0.2-0.5	1.18	1.78	3.05	1.15-2.3	



539744-2	1	8-539634-5	screw M4x11	Schraube M4x11	A
	1	0-519151-9	screw M4x10	Schraube M4x10	A
	QTY Stck	PN	Description	Benennung	REV


19

RELEASED FOR PUBLICATION

THIS DRAWING IS UNPUBLISHED.

BY TYCO ELECTRONICS CORPORATION. ALL RIGHTS RESERVED.

© COPYRIGHT 19

DIMENSIONS: mm-DIN 7168-m	DWN	M.Weberndoerfer	27JUL00	MATERIAL	-	FINISH	-
	CHK	J.Reuter	27JUL00	 tyco Electronics AMP GmbH D - 64625 Bensheim			
TOLERANCES UNLESS OTHERWISE SPECIFIED:	APVD	-	PRODUCT SPEC				
0 PLC ±	APVD	-	APPLICATION SPEC	SIZE	CAGE CODE	DRAWING NO	RESTRICTED TO
1 PLC ±	WEIGHT	-		A4	00779	©=539744-2	-
2 PLC ±	CUSTOMER DRAWING			SCALE	2:1	SHEET	1 OF 1
3 PLC ±				REV	A		
4 PLC ±							
ANGLES ±							