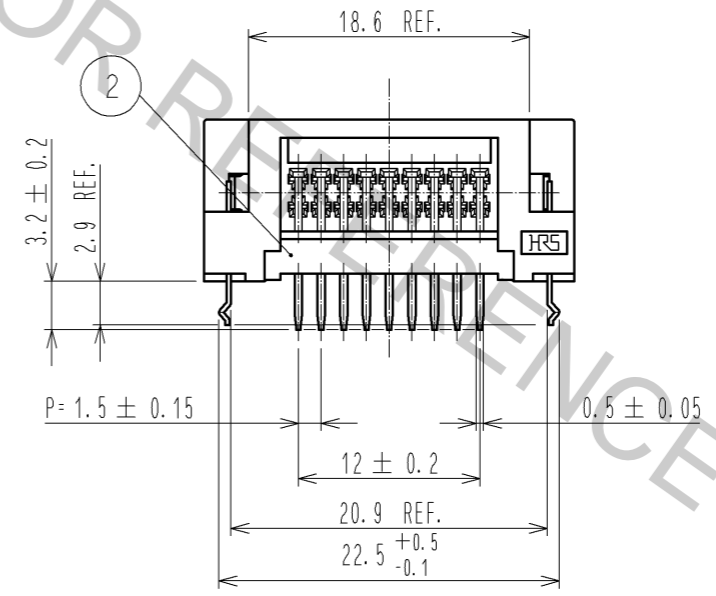
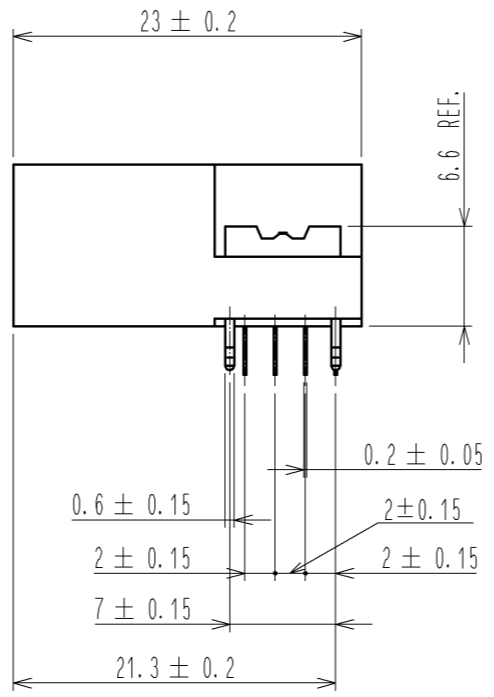
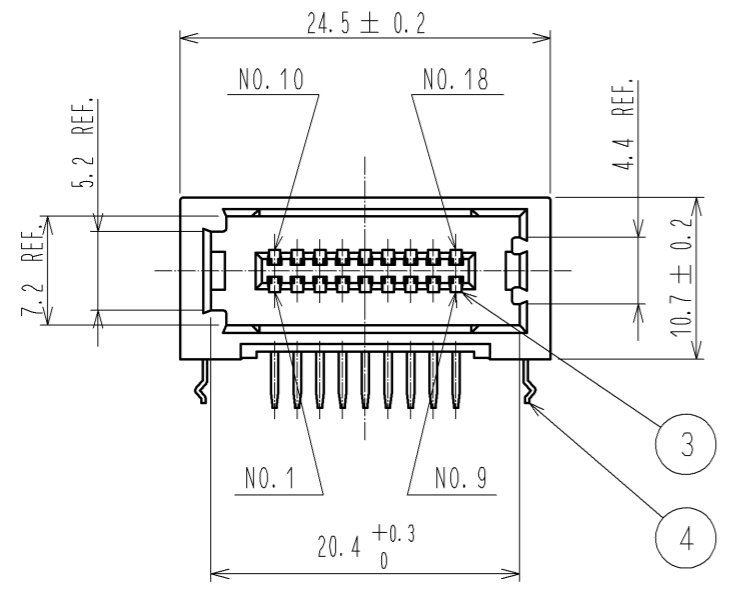
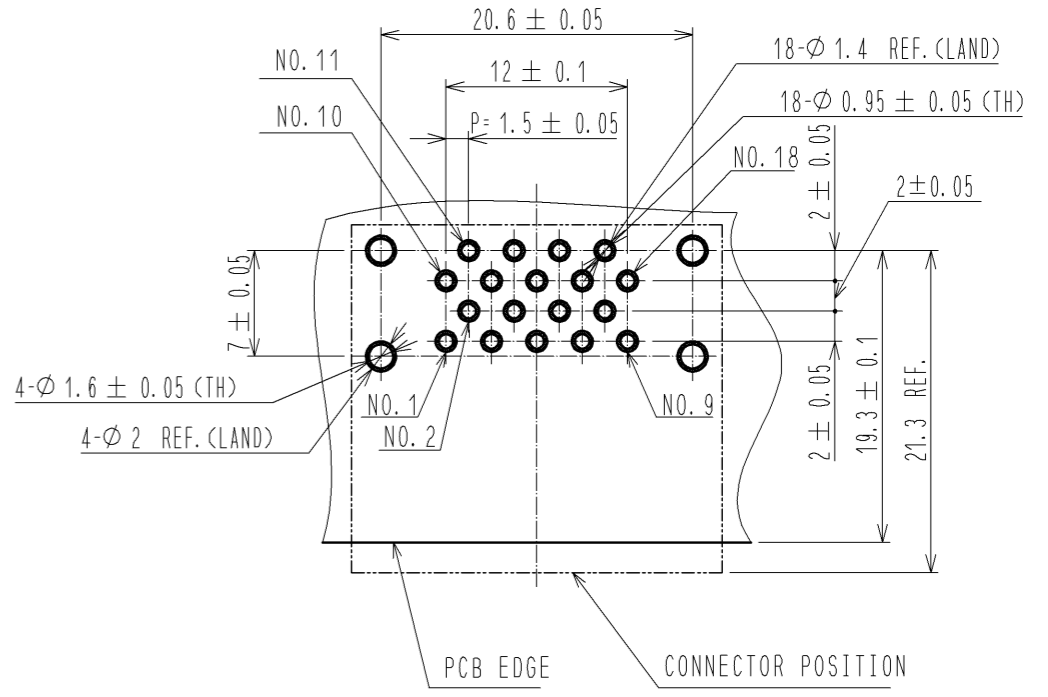
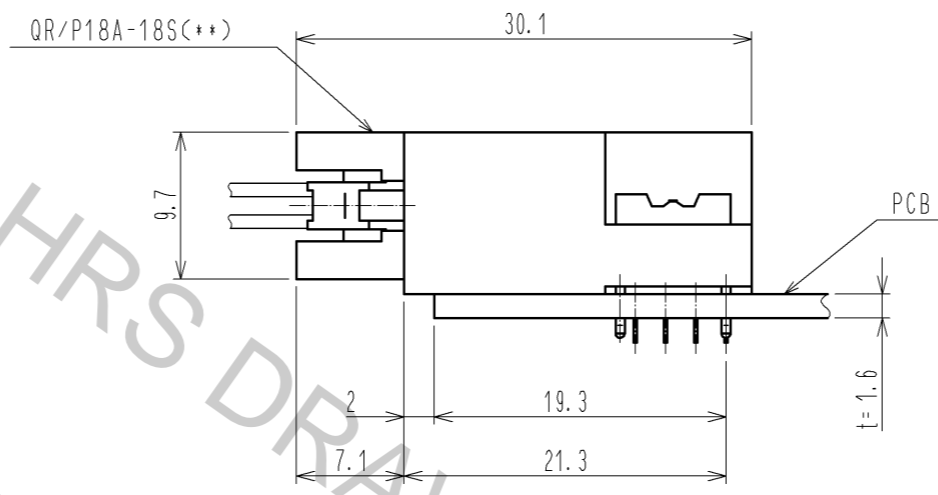
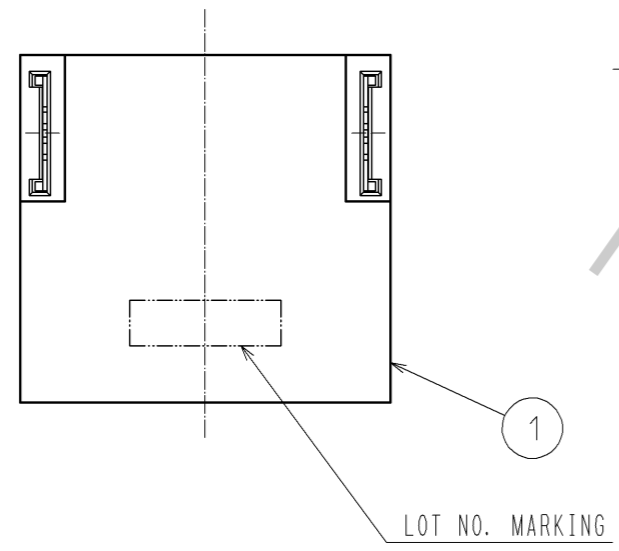


Apr.1.2017 Copyright 2017 HIROSE ELECTRIC CO., LTD. All Rights Reserved.

MATED PLUG (REFERENCE)

PCB PATTERN (REFERENCE)
MOUNTING SIDE (t=1.6)



2	PBT	UL94V-0(BLACK)	4	COPPER ALLOY	OVER : TIN PLATED 2µm min UNDER : NICKEL PLATED 1µm min
1	PBT	UL94V-0(BLACK)	3	COPPER ALLOY	CONTACT : GOLD PLATED 0.2µm min LEAD : GOLD PLATED 0.03µm min UNDER : NICKEL PLATED 1µm min
NO.	MATERIAL	FINISH . REMARKS	NO.	MATERIAL	FINISH . REMARKS
UNITS mm		SCALE 2 : 1	COUNT		DESCRIPTION OF REVISIONS
DESIGNED		CHECKED		DATE	
APPROVED : YH. ENAMI		08.04.04		DRAWING NO. EDC3-125533-01	
CHECED : HO. MIWA		08.04.04		PART NO. QR/P18A-18P-DSA1	
DESIGNED : KI. NAGANUMA		08.04.03		CODE NO. CL221-0308-3-00	
DRAWN : KI. NAGANUMA		08.04.03		1/1	