


UM108-SEFE/L-A73

Order No.: 2959735



<http://eshop.phoenixcontact.de/phoenix/treeViewClick.do?UID=2959735>

Side element, with foot, tall version, left-hand, for 73 mm wide U-shaped cover.

Commercial data	
GTIN (EAN)	 4 017918 107314
sales group	F104
Pack	10 pcs.
Customs tariff	85369010
Catalog page information	Page 607 (CC-2009)

Product notes

WEEE/RoHS-compliant since:
01/01/2003



<http://www.download.phoenixcontact.com>
Please note that the data given here has been taken from the online catalog. For comprehensive information and data, please refer to the user documentation. The General Terms and Conditions of Use apply to Internet downloads.

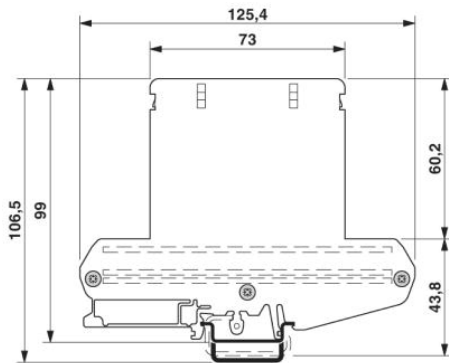
Technical data	
General	
Housing type	Side cover
Housing material	PA
Color	green

Technical data

Inflammability class acc. to UL 94	V0
------------------------------------	----

Diagrams/Drawings

Dimensioned drawing



Address

PHOENIX CONTACT Deutschland GmbH
Flachmarktstr. 8
32825 Blomberg, Germany
Phone +49 5235 3 12000
Fax +49 5235 3 41200
<http://www.phoenixcontact.de>



© 2011 Phoenix Contact
Technical modifications reserved;