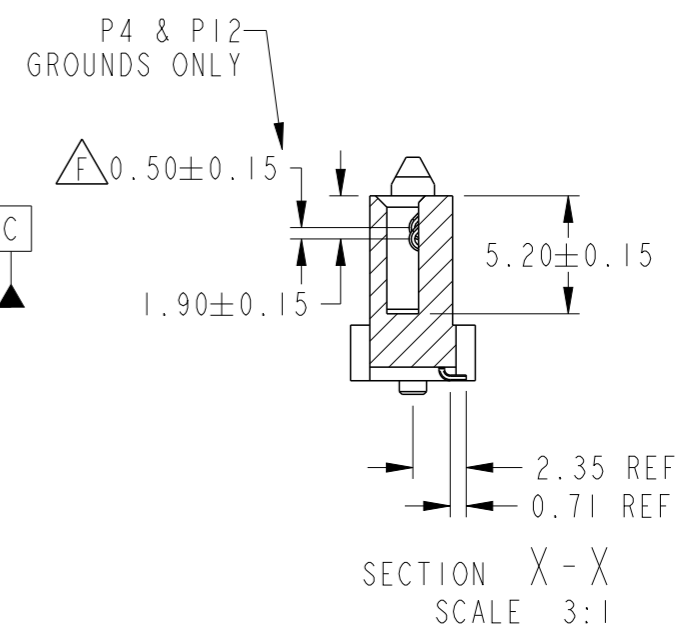
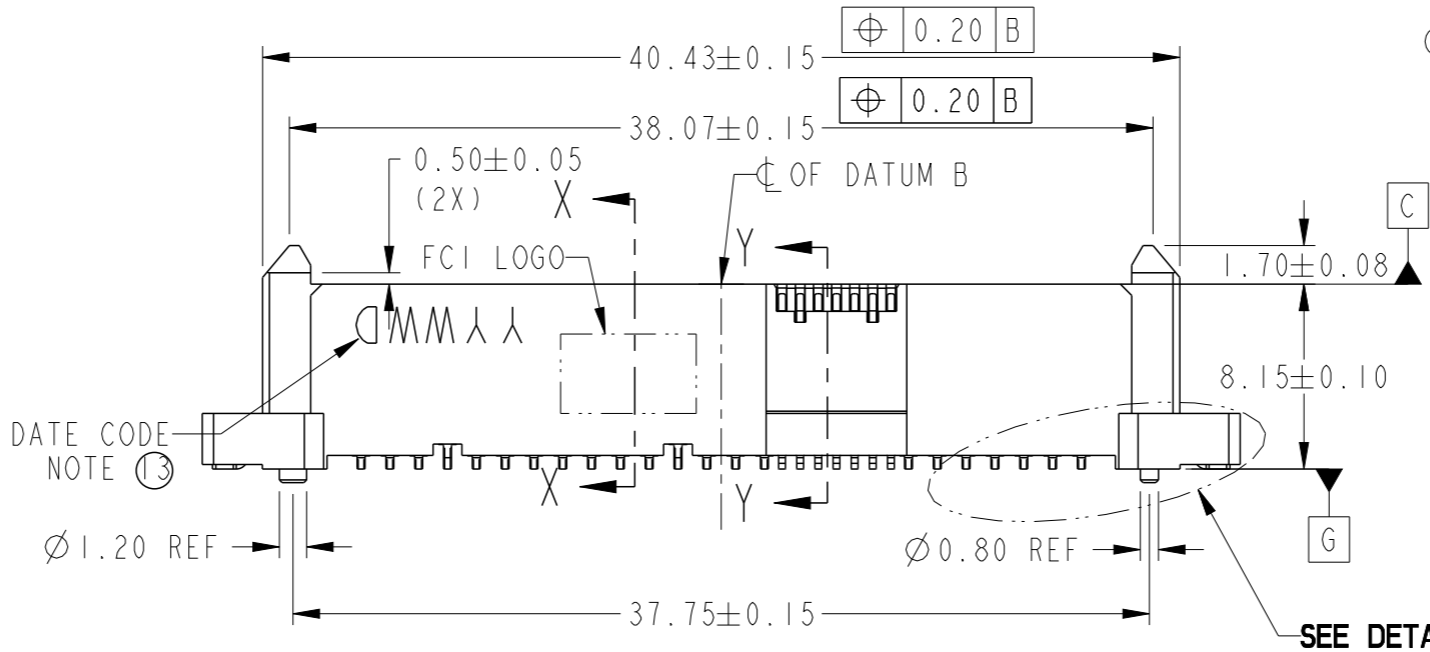
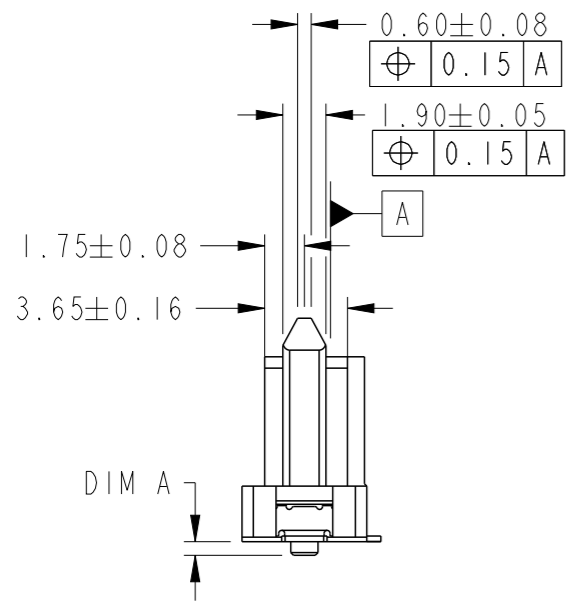
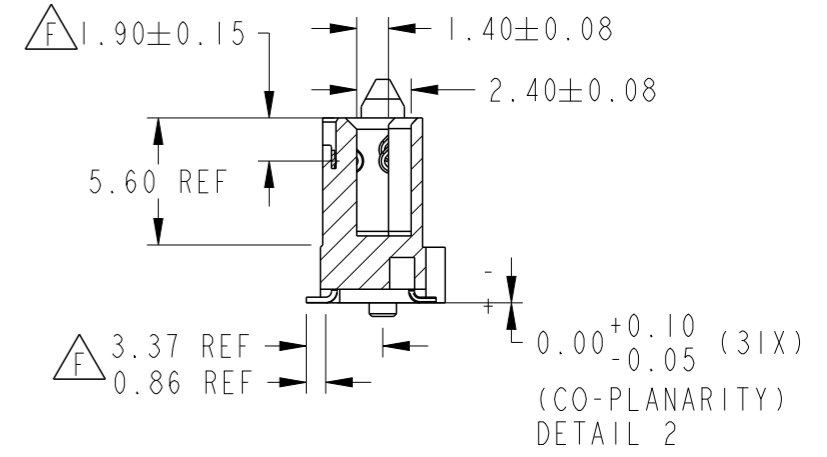
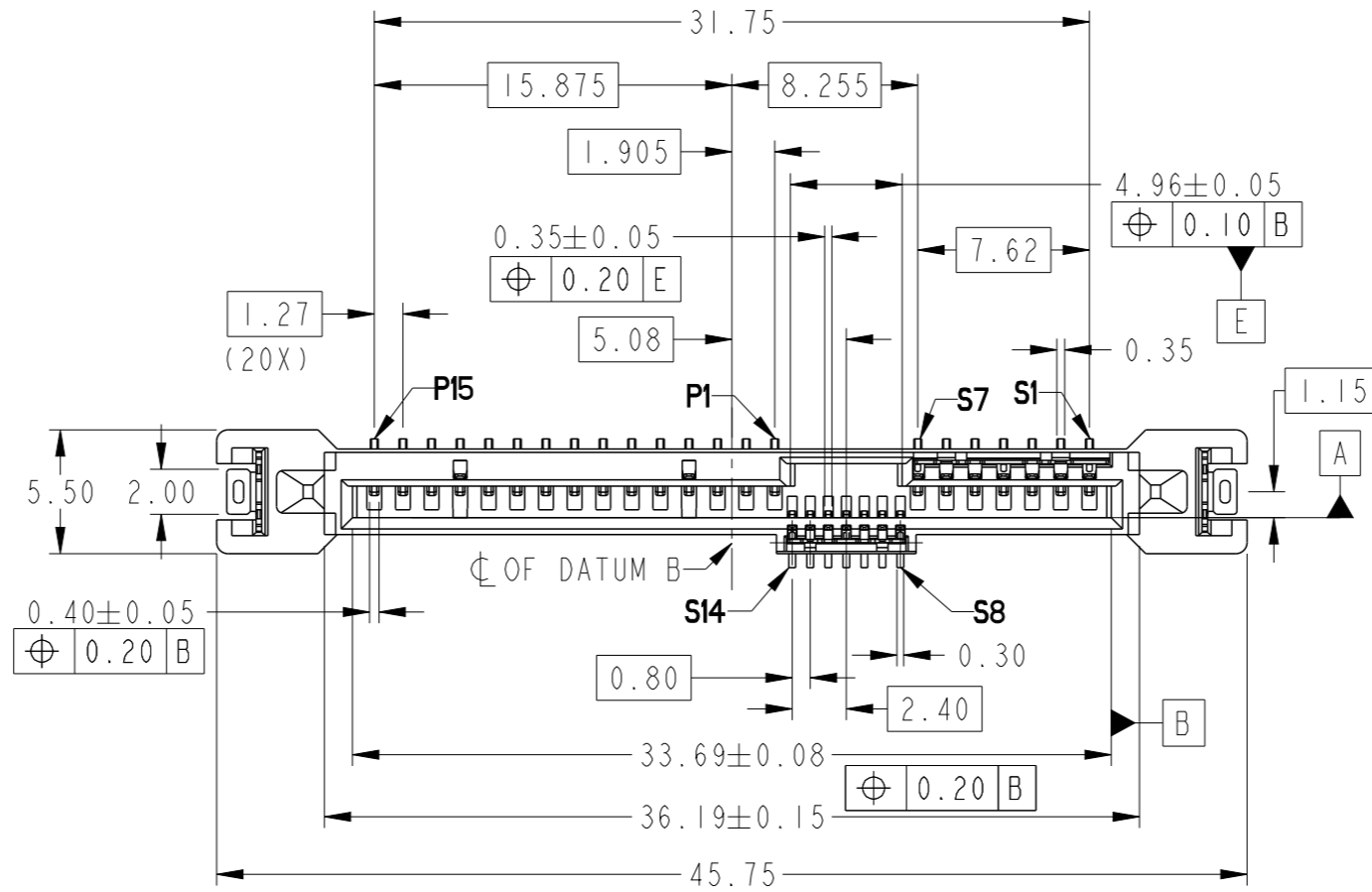


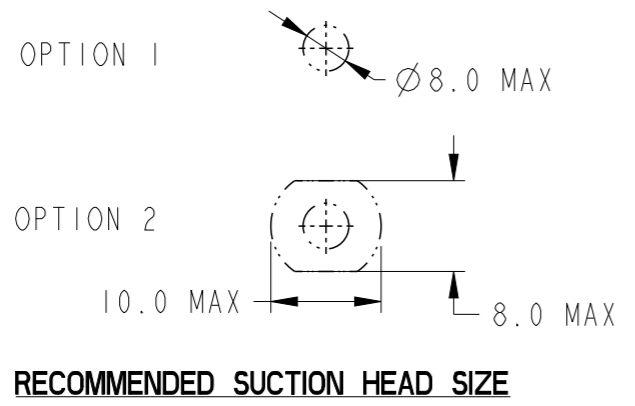
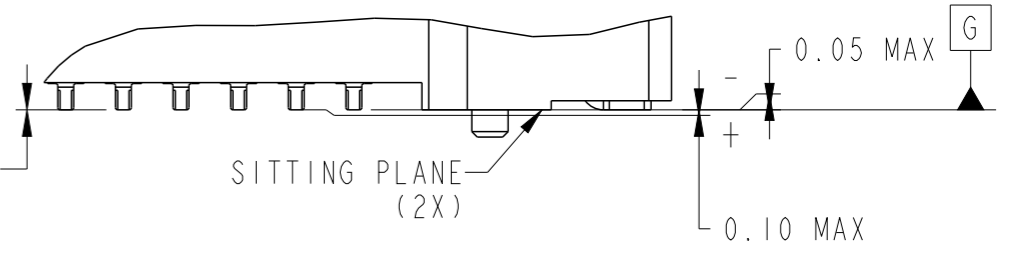
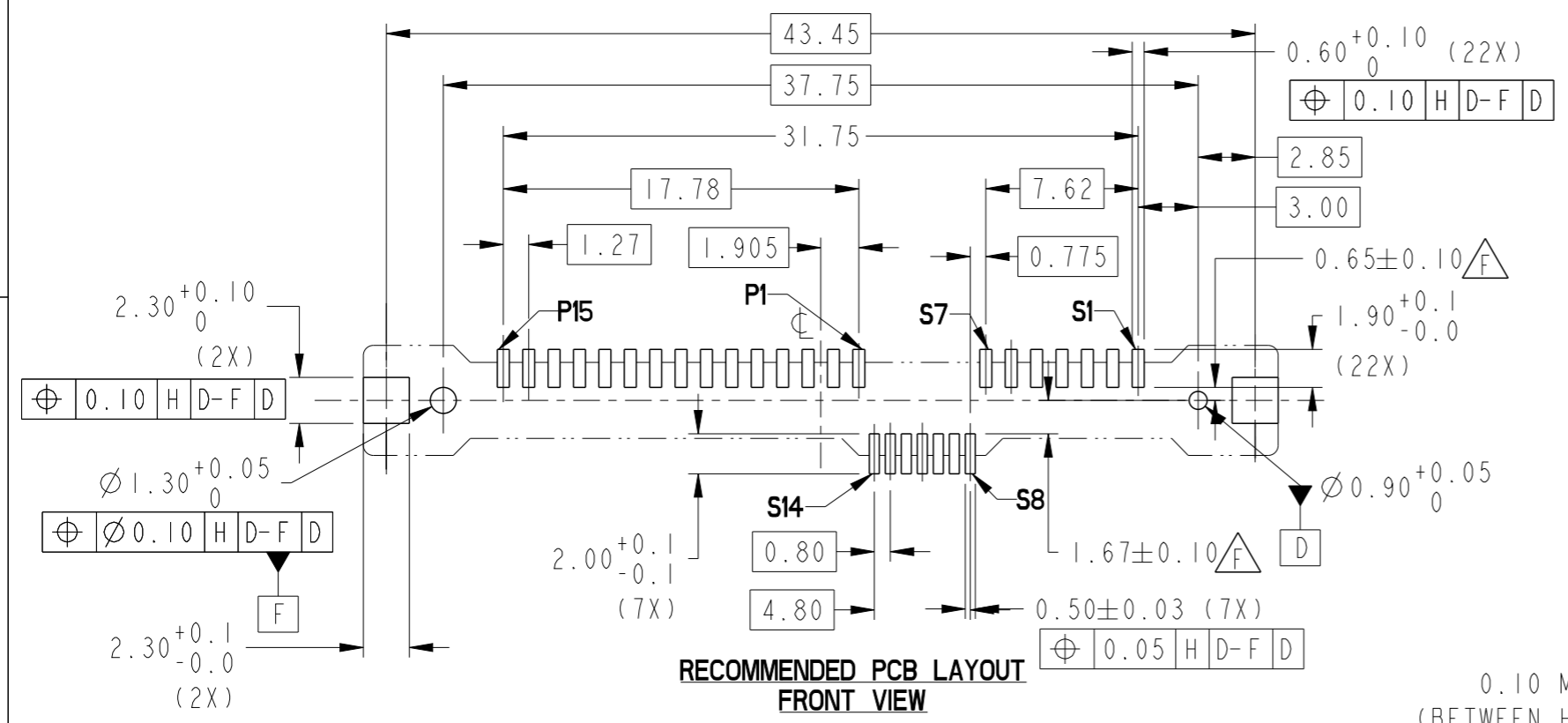
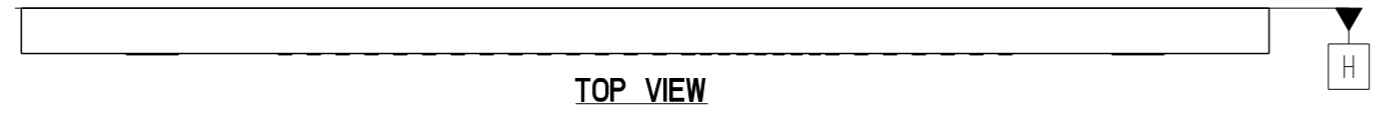
PRODUCT NUMBER
SEE TABLE



Amphenol FCI
© 2016 AFCI

spec ref	-	dr	Noorhazlinda,	2017/04/12	projection	mm	size	A3	scale	1:1
tolerance std	ISO 406 ISO 1101	eng	Wai-Bin Cho	2019/06/13			ecn no	ELX-M-33877-1		
TOLERANCES UNLESS OTHERWISE SPECIFIED		chr	-	appr			Koon-Poh Tay	2019/06/21	product family	SAS
surface	linear	0.X	±-	Amphenol FCI		24G SAS RECEPTACLE VERTICAL SMT TYPE ASSY		dwg no 10142500	rev E	
	angular	0°	±2°							
ISO 1302		cat. no.	-		Product - Customer Drw			sheet 1 of 3		

PRODUCT NUMBER	DIM A	METAL CLIP	PLATING	PICK-UP CAP	PACKAGING	REMARKS
10142500-001LF	0.60 △F	2 PCS	NOTE 2	NO	TRAY	NOTE 7
10142500-001CLF				YES		NOTE 3 & 7
10142500-001C-TRLF				YES		NOTE 3 5 & 7
10142500-002LF	1.00 △F			NO	TRAY	NOTE 7
10142500-002CLF				YES		NOTE 3 & 7
10142500-002C-TRLF				YES		NOTE 3 5 & 7



spec ref	-	dr	Noorhazinda,	2017/04/12	projection	mm	size	A3	scale	1:1	
tolerance std	ISO 406 ISO 1101	eng	Wai-Bin Cho	2019/06/13			ecn no	ELX-M-33877-1			
TOLERANCES UNLESS OTHERWISE SPECIFIED		chr	-	-			rel level	Released			
surface	linear	appr	Koon-Poh Tay	2019/06/21	product family	SAS	dwg no	10142500		rev	E
	angular	Amphenol FCI		24G SAS RECEPTACLE VERTICAL SMT TYPE ASSY		cat. no.	-	Product - Customer Drw	sheet 2 of 3		

Amphenol FCI

© 2016 AFCI

PRODUCT NUMBER

SEE TABLE

NOTES:

1. MATERIAL :

- 1) HOUSING : HIGH TEMP THERMOPLASTIC, UL 94V-0
- COLOR : BLACK
- 2) TERMINAL : COPPER ALLOY
- 3) HOLD DOWN : COPPER ALLOY

2 FINISH :

- 1) TERMINAL : 30μ" Au PLATING (CONTACT POINT) OVER 50μ" NICKEL
- 2) SOLDER TAIL : 100μ" MIN Sn OVER 50μ" NICKEL
- 3) HOLD DOWN : 100μ" MIN Sn OVER 50μ" NICKEL

3 PART WITH PICK-UP CAP, P/N XXXXXXXX-XXXCLF.

4 THE STD PACKAGING IS IN TRAY UNLESS OTHERWISE SPECIFIED.

5 PART NUMBER WITH SUFFIX "-TR" MEANS FOR TAPE & REEL PACKAGING (E.G. P/N: XXXXXXXX-XXXC-TRLF).

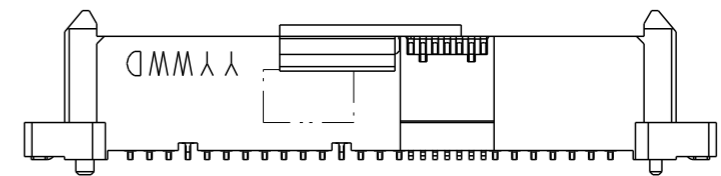
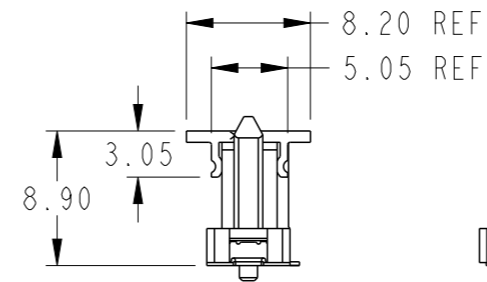
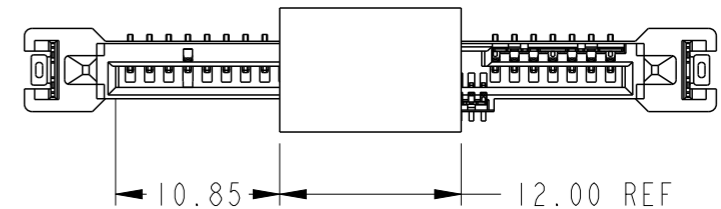
6. THE HOUSING WILL WITHSTAND EXPOSURE TO 260°C PEAK TEMPERATURE FOR 10 SECONDS IN A CONVECTION, INFRA-RED OR VAPOR PHASE REFLOW OVEN.

7. THIS PRODUCT MEETS EUROPEAN UNION DIRECTIVES AND OTHER COUNTRY REGULATIONS AS DESCRIBED IN GS-47-0004.

8 PART NUMBERS ENDING IN "LF" MEANS FOR NOTE 7 LEAD FREE IDENTIFICATION

9 DATE CODE LOCATION. DATE CODE NO. YYWWD (E.G. 14225)

10. A $\triangle E$ SYMBOL WILL BE NEXT TO ANY DIMENSION, VIEW, OR NOTE WHICH HAS BEEN MODIFIED WITH THE CURRENT DRAWING REVISION.



SCALE 2:1

Amphenol FCI

© 2016 AFCI

spec ref -		dr	Noorhazlinda,	2017/04/12	projection	mm	size	A3	scale	1:1
tolerance std		eng	Wai-Bin Cho	2019/06/13			ecn no		ELX-M-33877-1	
ISO 406 ISO 1101		chr	-	-			rel level		Released	
surface		appr	Koon-Poh Tay	2019/06/21	product family		SAS		rev	
ISO 1302	linear	Amphenol FCI 24G SAS RECEPTACLE VERTICAL SMT TYPE ASSY			cat. no. - Product - Customer Drw		dwg no 10142500		sheet 3 of 3	
	angular									