

THE INFORMATION CONTAINED HEREIN IS CONSIDERED "PROPRIETARY" TO BEL FUSE INC. AND SHALL NOT BE COPIED, REPRODUCED OR DISCLOSED WITHOUT THE WRITTEN APPROVAL OF BEL FUSE INC.

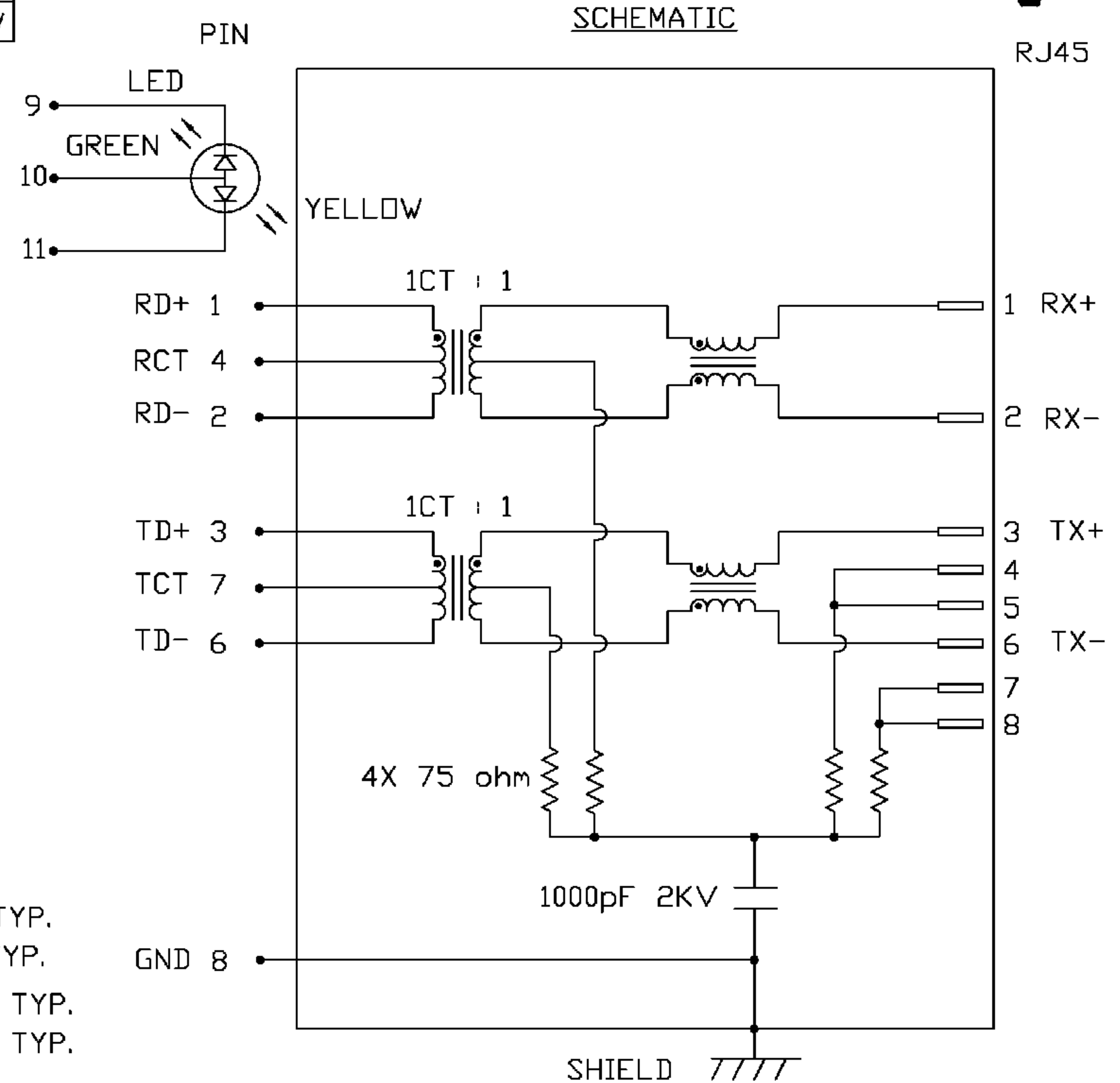


LED POLARITY			
PIN 9	PIN 10	PIN 11	COLOR
-	+	/	GREEN
/	+	-	YELLOW

ELECTRICAL CHARACTERISTICS @ 25°C

URNS RATIO	1CT : 1CT ±3%	
QCL @ 0.1V, 100KHz 8mA DC BIAS	350µH MIN.	
INSERTION LOSS 100KHz TO 100MHz	-1.1 dB	
RETURN LOSS (MIN.) 1MHz-30MHz	-18 dB	
	60MHz-80MHz	-12 dB
CM TO CM REJ 100kHz - 100MHz	-30 dB Min	
CM TO DM REJ 100kHz - 100MHz	-35 dB Min	
XTALK 100KHz TO 100MHz	-35 dB MIN.	
HIPOT (Isolation Voltage): LED	1500 Vrms or 2250VDC	

VF (FORWARD VOLTAGE)	IF=20mA	YELLOW	GREEN	2.2V TYP.
		YELLOW		2.1V TYP.
λD (DOMINANT WAVELENGTH)	IF=20mA	YELLOW	GREEN	570nm TYP.
		YELLOW		590nm TYP.

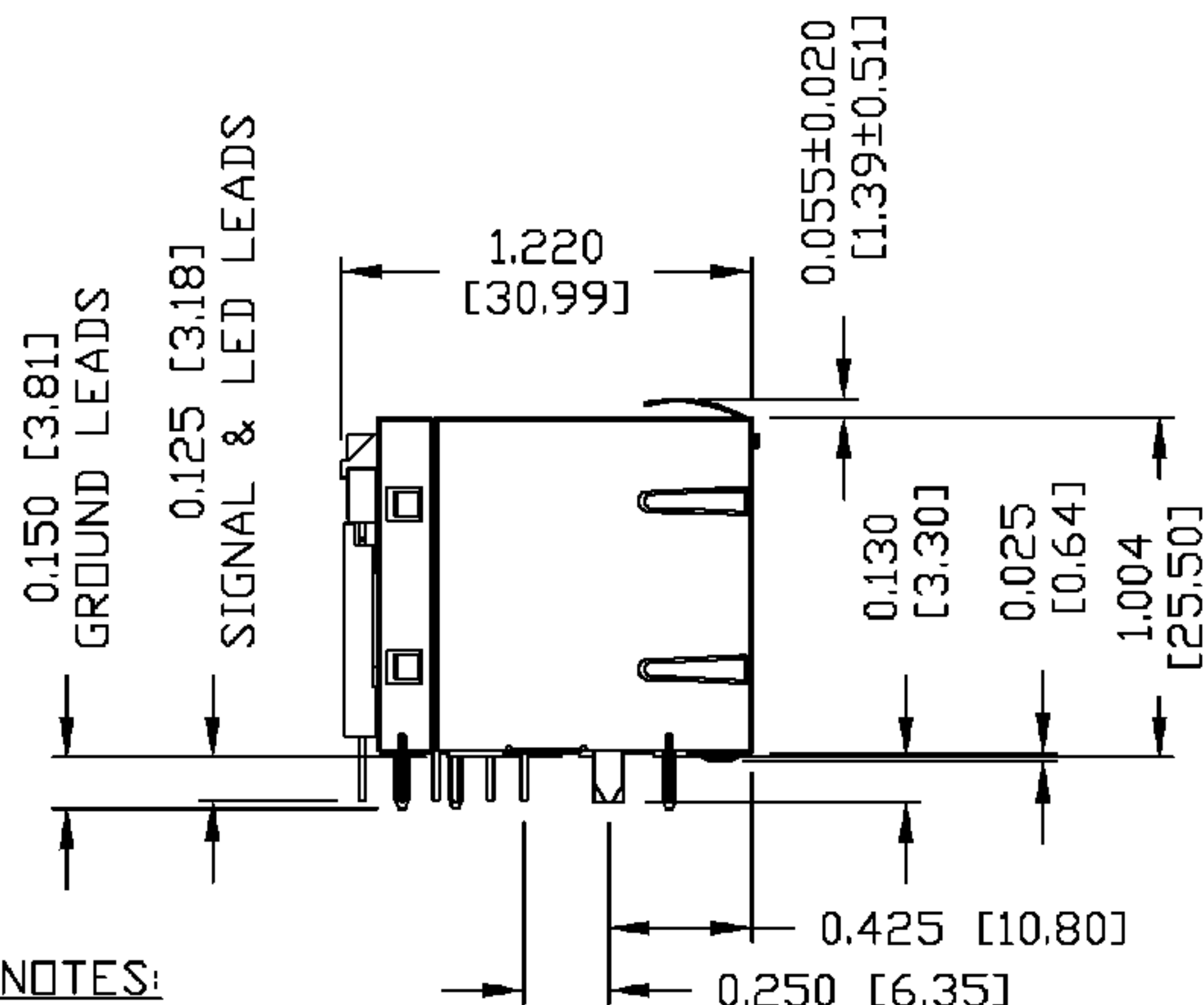


ORIGINATED BY	DATE	TITLE	PART NO. / DRAWING NO.	STANDARD DIM. TOL. IN INCH	[ ] METRIC DIM. AS REFERENCE
CHUNG	05-15-06	2X4 MagJack® with LED	08102H4R28-F	.X	UNIT : INCH [mm] REV. : B
DRAWN BY	DATE	0810-2H4R-28-F	FILE NAME	.XX	SCALE : N/A SIZE : A4
DE	05-15-06		08102H4R28-FB.DWG	.XXX	PAGE : 2



THE INFORMATION CONTAINED HEREIN IS CONSIDERED "PROPRIETARY" TO BEL FUSE INC. AND SHALL NOT BE COPIED, REPRODUCED OR DISCLOSED WITHOUT THE WRITTEN APPROVAL OF BEL FUSE INC.

RoHS  
2002/95/EC

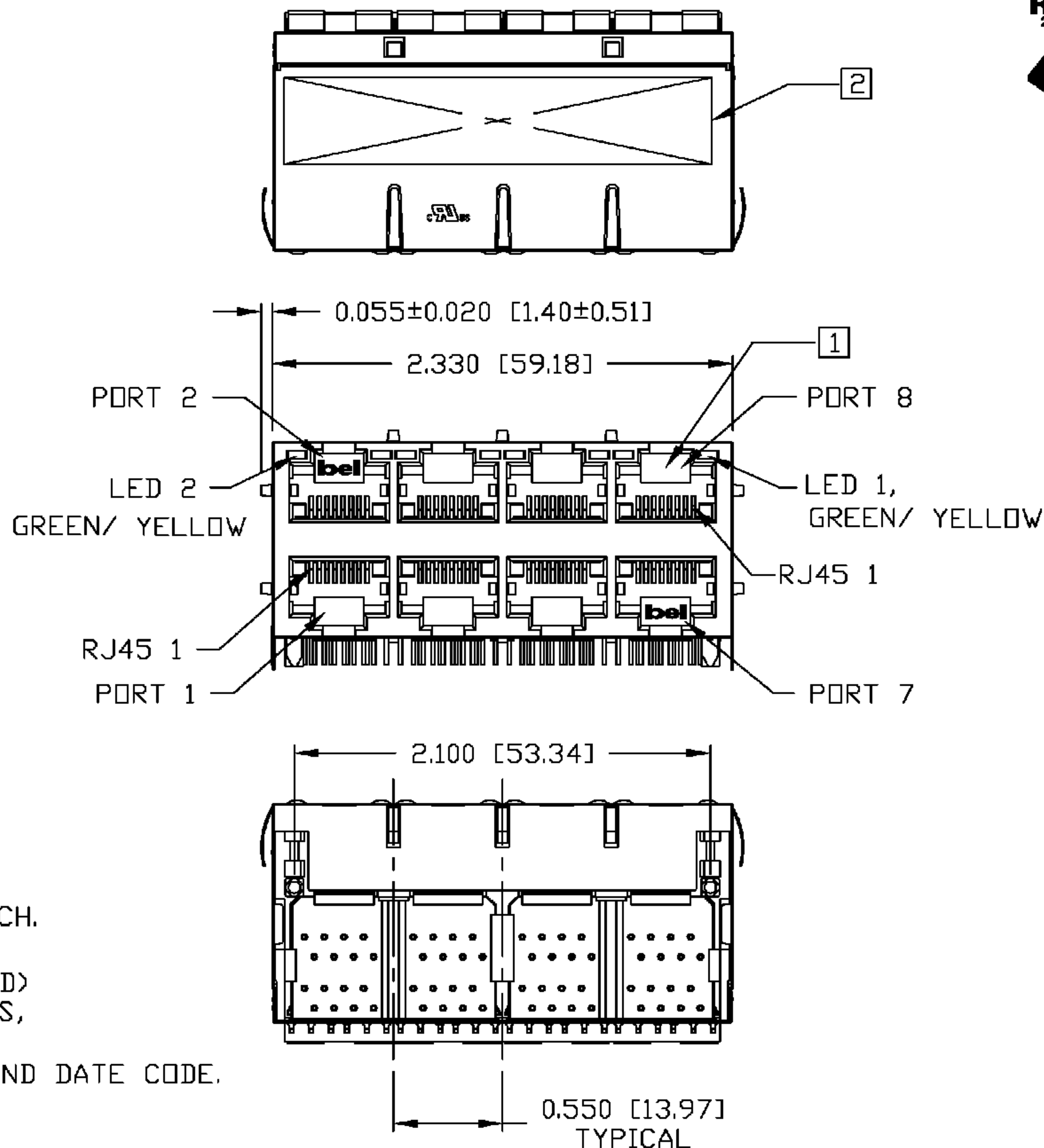


NOTES:

- PLASTIC HOUSING: THERMOPLASTIC PBT  
FLAMMABILITY RATING UL 94V-0
- CONTACT PLATING: 30 MICRO-INCH HARD GOLD PLATING
- OUTPUT PINS: TIN-COATED COPPER WIRE, DIA 0.018 INCH.
- METAL SHIELD: NICKEL PLATED ON COPPER ALLOY.  
(ALL GROUND LEADS ARE SOLDER DIPPED)

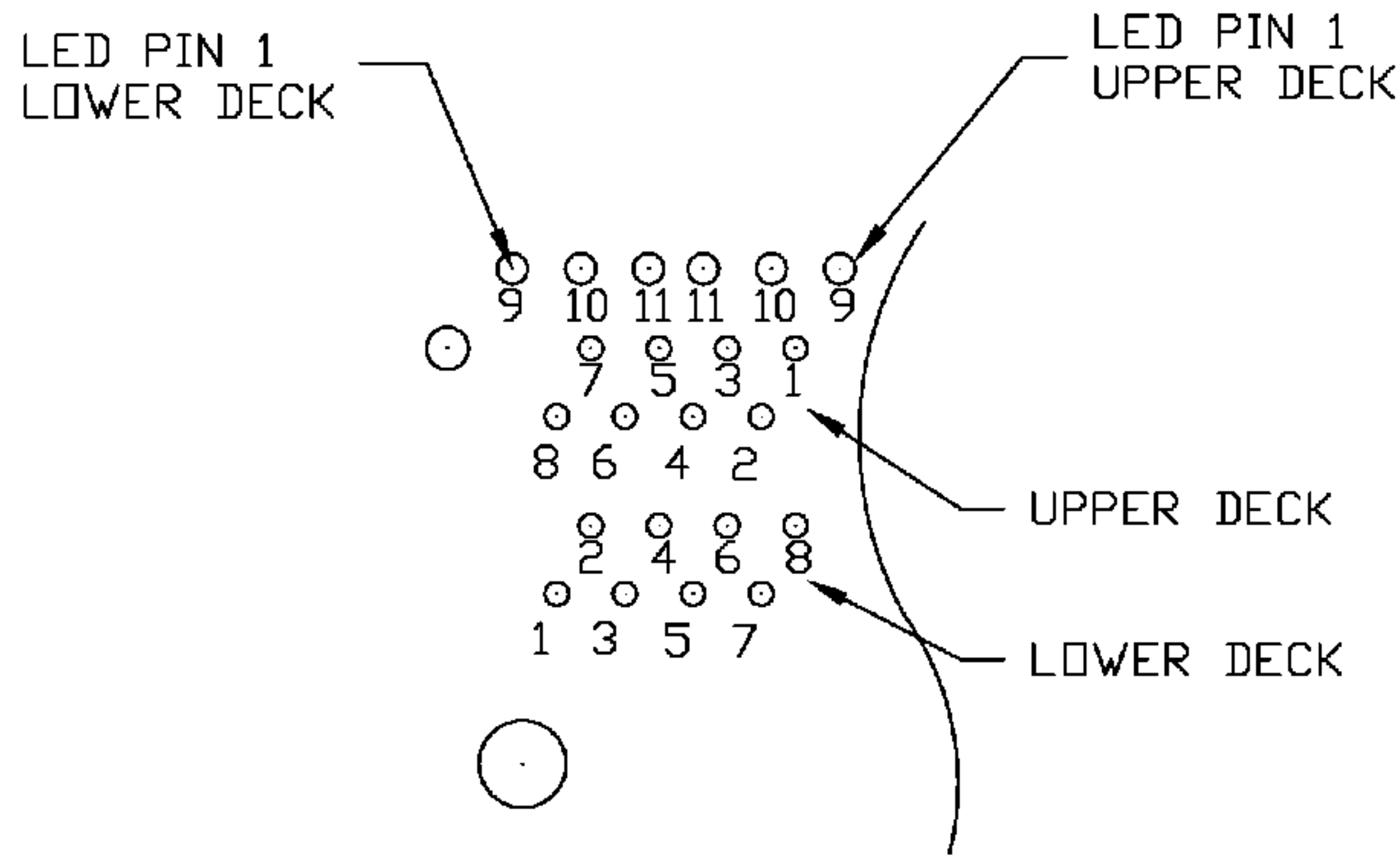
- [1] JACK CAVITY CONFORMS TO FCC RULES AND REGULATIONS, PART 68 SUBPART F.
- [2] MARK PART WITH MFG LOGO, MFG NAME, PART NUMBER, AND DATE CODE.

**c** **us** UL RECOGNIZED - FILE #E196366 AND E169987.  
RoHS COMPLIANCE, PER EU DIRECTIVE 2002/95/EC.



ORIGINATED BY	DATE	TITLE	PART NO. / DRAWING NO.	STANDARD DIM.		[ ] METRIC DIM. AS REFERENCE		 COMPONENTS OF A CONNECTED PLANET
				TOL. IN INCH		UNIT : INCH [mm]	REV. : B	
BILL	05-15-06	2X4 MagJack® with LED	08102H4R28-F	.X		SCALE : N/A	SIZE : A4	
DRAWN BY	DATE	0810-2H4R-28-F	FILE NAME	.XX			PAGE : 3	
QIN	05-15-06		08102H4R28-F.B.DWG	.XXX	±0.010			

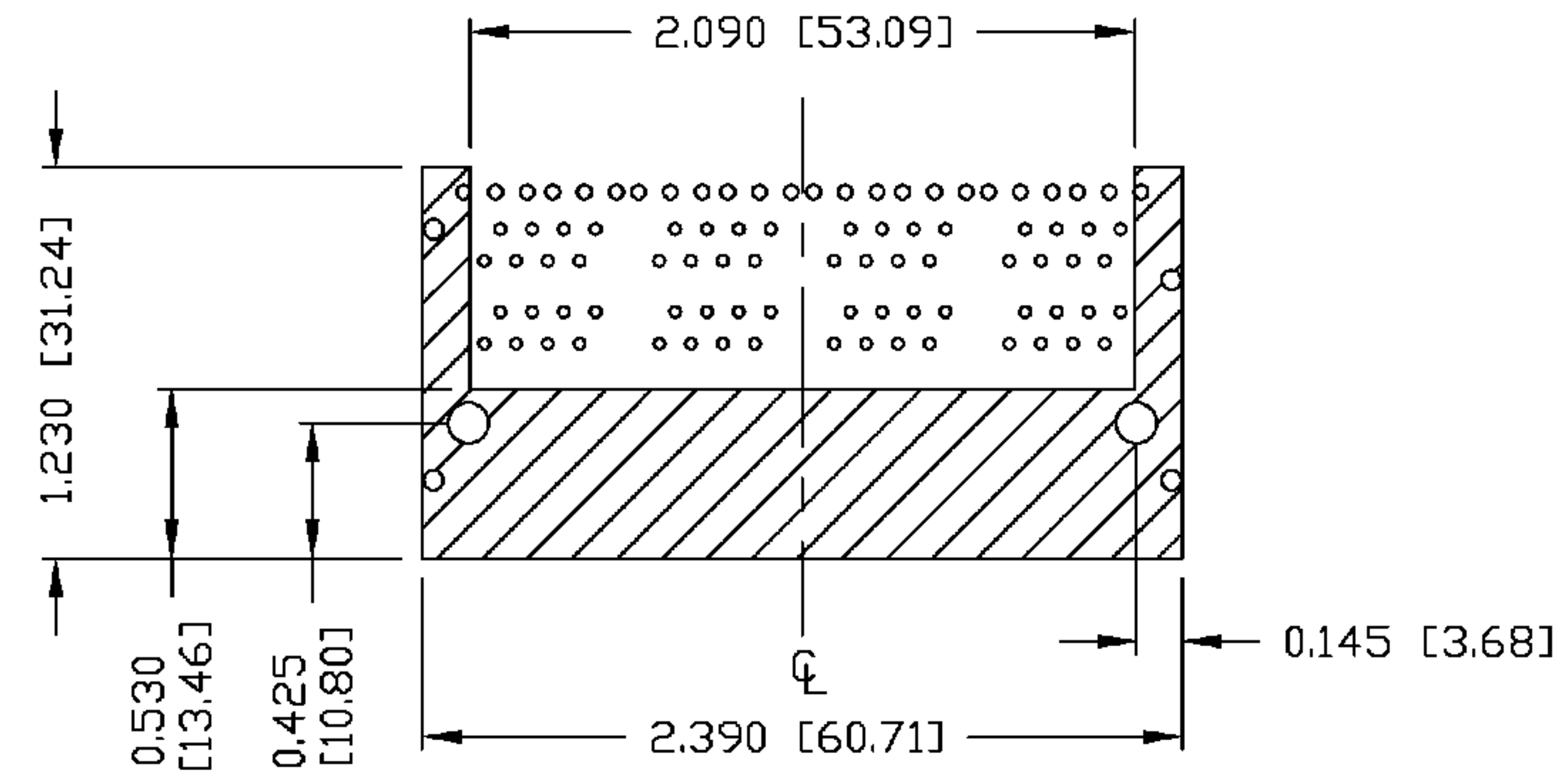
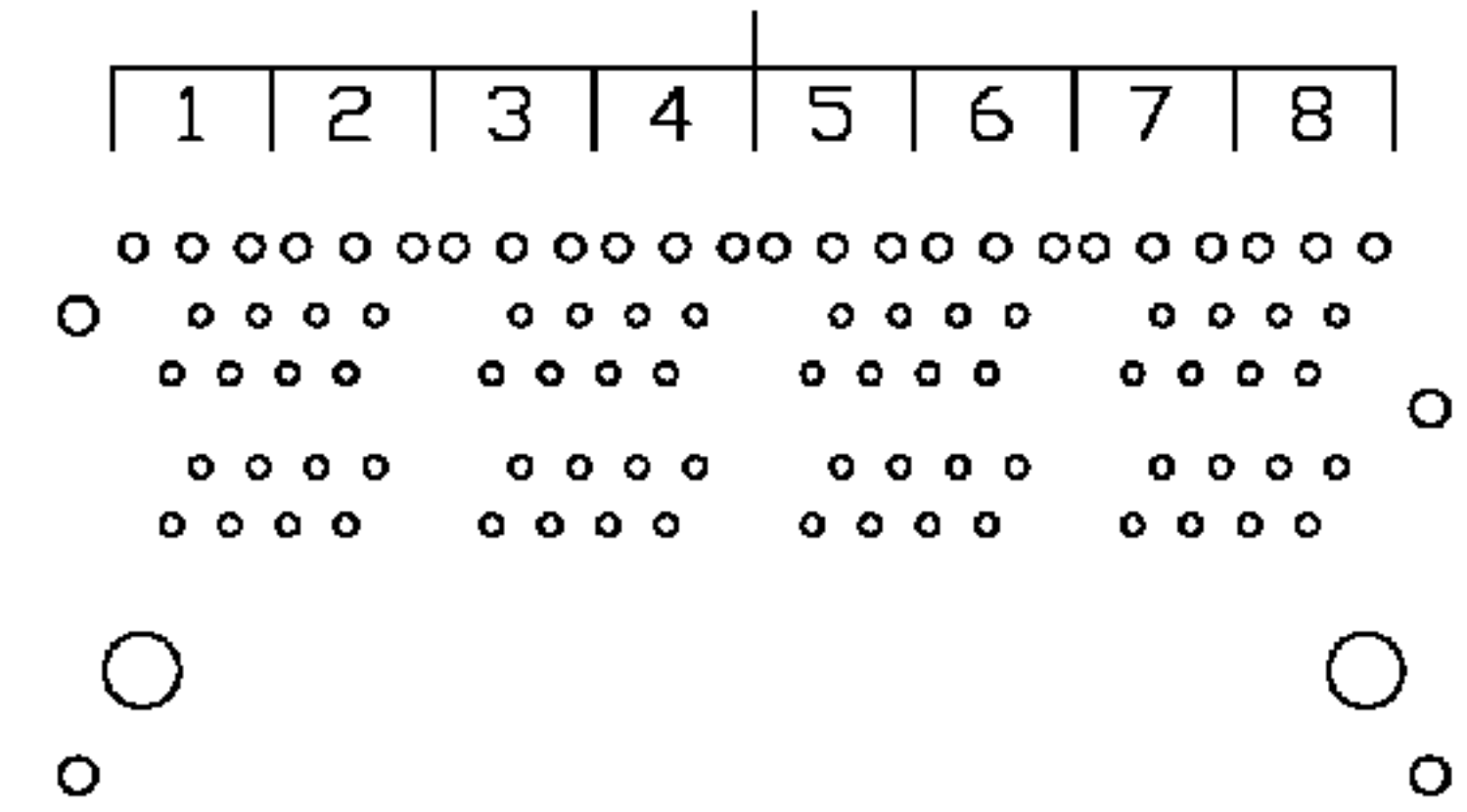
THE INFORMATION CONTAINED HEREIN IS CONSIDERED "PROPRIETARY" TO BEL FUSE INC. AND SHALL NOT BE COPIED, REPRODUCED OR DISCLOSED WITHOUT THE WRITTEN APPROVAL OF BEL FUSE INC.



PIN-OUT INFORMATION  
(COMPONENT SIDE VIEW)

11	YELLOW LED CATHODE
10	COMMON ANODE
9	GREEN LED CATHODE
8	GND
7	TCT
6	TD-
5	NC
4	RCT
3	TD+
2	RD-
1	RD+

PORT ASSIGNMENT  
(COMPONENT SIDE VIEW)



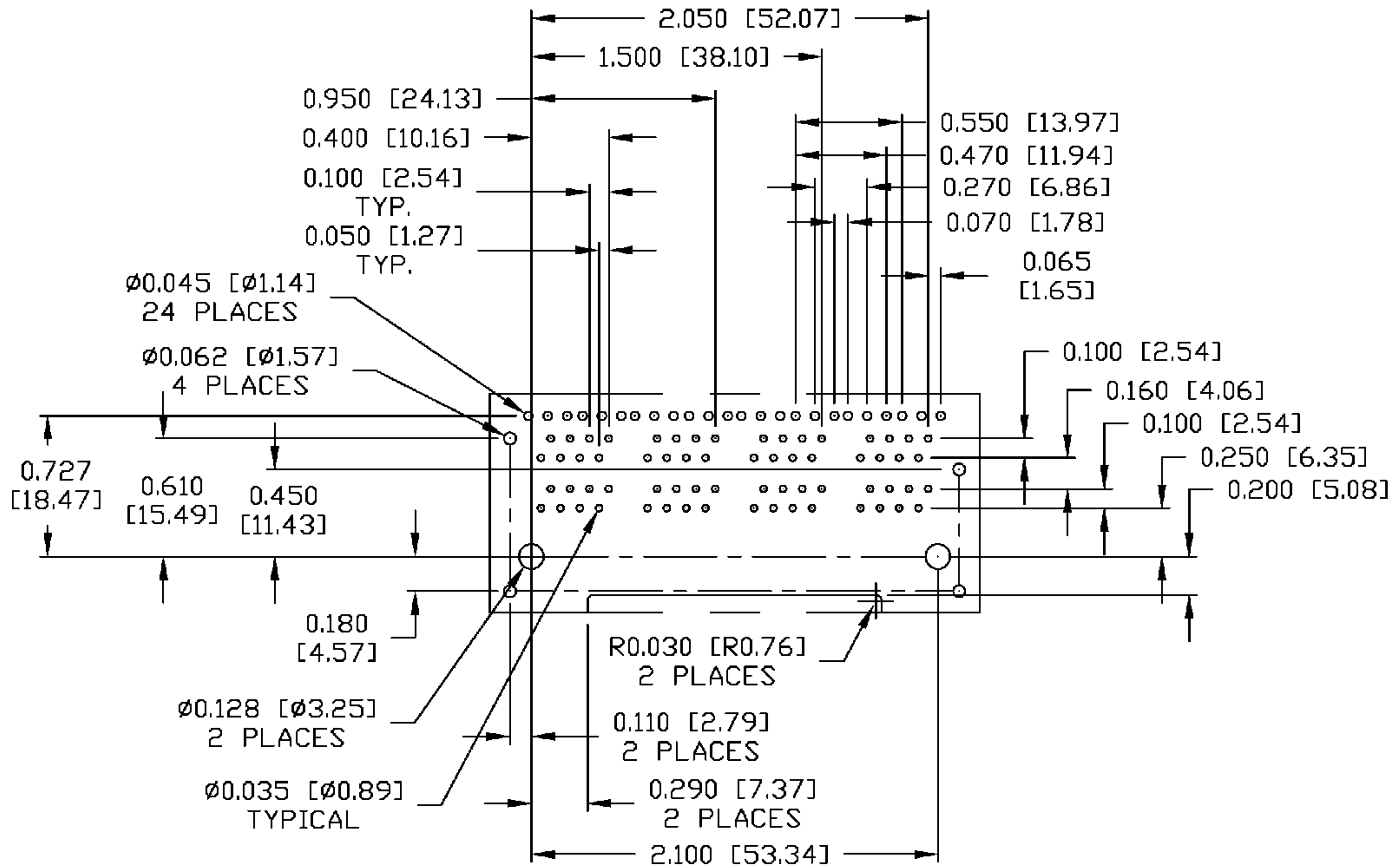
NOTES:

THE SHADED AREA ON THE CUSTOMER BOARD ARE RECOMMENDED TO BE CLEAR OFF ANY VIA HOLE OR COMPONENT PAD.

ORIGINATED BY	DATE	TITLE	PART NO. / DRAWING NO.	STANDARD DIM. TOL. IN INCH	[ ] METRIC DIM. AS REFERENCE
BILL	05-15-06	2X4 MagJack® with LED 0810-2H4R-28-F	08102H4R28-F	.X	UNIT : INCH [mm] REV. : B
DRAWN BY	DATE		FILE NAME	.XX	SCALE : N/A SIZE : A4
QIN	05-15-06		08102H4R28-F.B.DWG	.XXX ±0.004	⊕  PAGE : 4



THE INFORMATION CONTAINED HEREIN IS CONSIDERED  
 "PROPRIETARY" TO BEL FUSE INC. AND SHALL NOT BE  
 COPIED, REPRODUCED OR DISCLOSED WITHOUT THE  
 WRITTEN APPROVAL OF BEL FUSE INC.



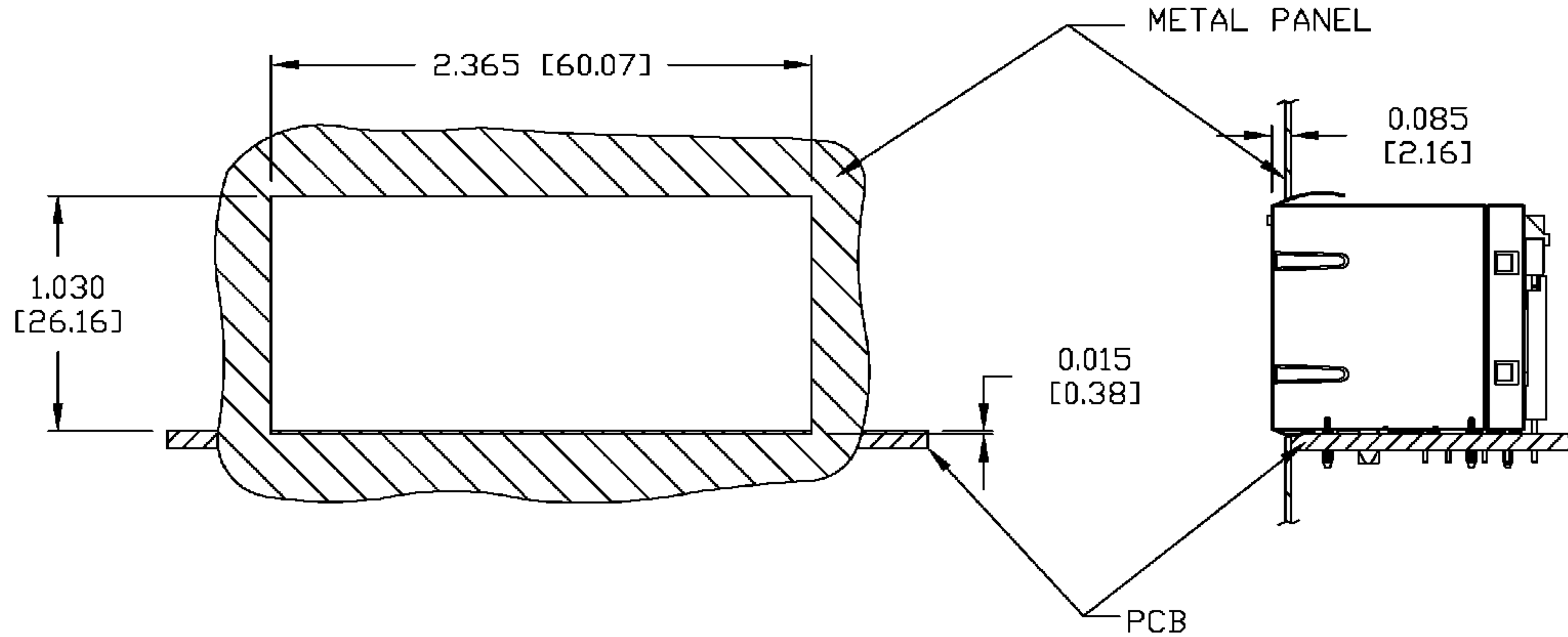
SUGGESTED FOOTPRINT  
(COMPONENT SIDE VIEW)

<b>ORIGINATED BY</b>	<b>DATE</b>	<b>TITLE</b>	<b>PART NO. / DRAWING NO.</b>	<b>STANDARD DIM.</b>	<b>[ ] METRIC DIM. AS REFERENCE</b>		 COMPONENTS FOR A CONNECTED PLANET
BILL	05-15-06	2X4 MagJack® with LED	08102H4R28-F	<b>TOL. IN INCH</b>	<b>UNIT : INCH [mm]</b>	<b>REV. : B</b>	
<b>DRAWN BY</b>	<b>DATE</b>	0810-2H4R-28-F	<b>FILE NAME</b>	.X	<b>SCALE : N/A</b>	<b>SIZE : A4</b>	
QIN	05-15-06		08102H4R28-FB.DWG	.XX		<b>PAGE : 5</b>	
				.XXX	±0.004		

THE INFORMATION CONTAINED HEREIN IS CONSIDERED "PROPRIETARY" TO BEL FUSE INC. AND SHALL NOT BE COPIED, REPRODUCED OR DISCLOSED WITHOUT THE WRITTEN APPROVAL OF BEL FUSE INC.



SUGGESTED PANEL OPENING



NOTES:

THE DISTANCE OF PANEL INSIDE SURFACE RELATIVE TO FRONT SURFACE OF PART IS ONLY A SUGGESTION. IN CASE THIS DISTANCE IS DIFFERENT, THE REQUIRED PANEL OPENING DIMENSIONS CHANGE ACCORDINGLY.

PACKING INFORMATION

PACKING TRAY : 0200-9999-E7 (TOP)  
0200-9999-E8 (BOTTOM)

PACKING QUANTITY : 20 PCS FINISHED GOODS PER TRAY  
7 TRAYS (140 PCS FINISHED GOODS) PER CARTON BOX

NOTE : CARDBOARDS ARE PLACED BETWEEN LAYERS OF PACKING TRAY INSIDE CARTON BOX  
(INCLUDE THE UPPERMOST AND LOWERMOST TRAY)

<b>ORIGINATED BY</b>	<b>DATE</b>	<b>TITLE</b>	<b>PART NO. / DRAWING NO.</b>	<b>STANDARD DIM.</b>	<b>[ ] METRIC DIM. AS REFERENCE</b>		 COMPONENTS FOR A CONNECTED PLANET
BILL	05-15-06	2X4 MagJack® with LED	08102H4R28-F	<b>TOL. IN INCH</b>	<b>UNIT : INCH [mm]</b>	<b>REV. : B</b>	
<b>DRAWN BY</b>	<b>DATE</b>	0810-2H4R-28-F	<b>FILE NAME</b>	.X	<b>SCALE : N/A</b>	<b>SIZE : A4</b>	
QIN	05-15-06		08102H4R28-FB.DWG	.XX		<b>PAGE : 6</b>	
				.XXX	±0.004		