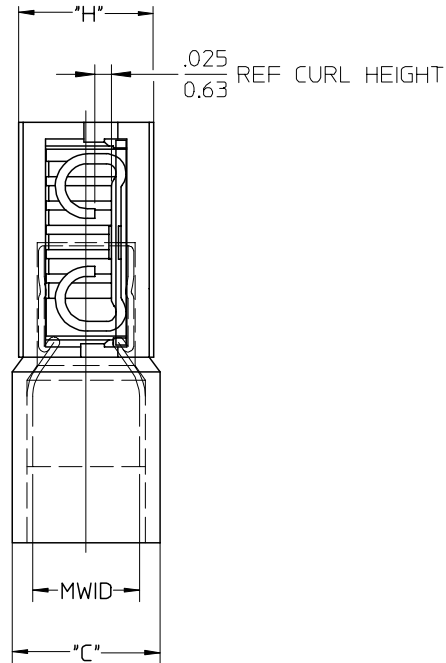
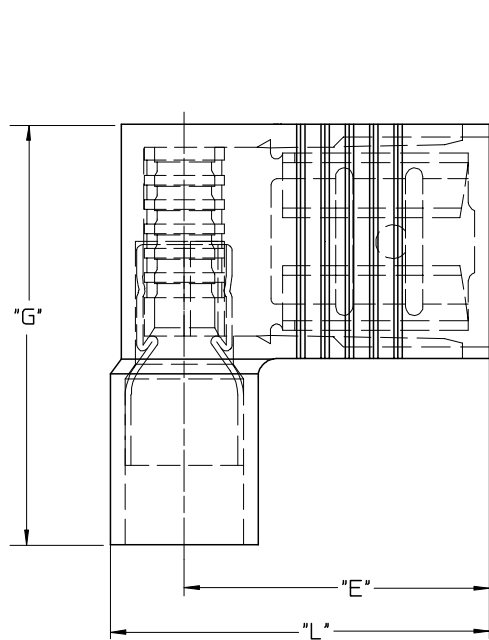
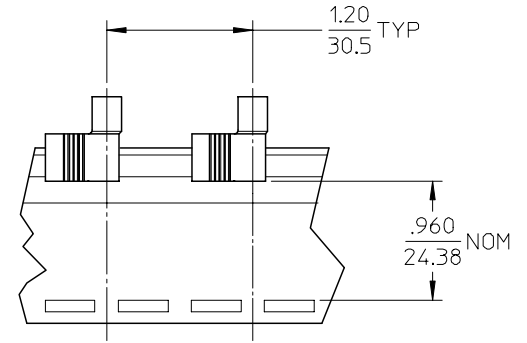


| MATERIAL NO. | ENG. NO. | MATERIAL NO. TAPE MOUNTED | ENG. NO. TAPE MOUNTED | MATERIAL NO. STRIP MOUNTED | ENG. NO. STRIP MOUNTED | AWG | COLOR | MWID | "L" ±.015/.381 | "E" ±.015/.381 | "C" DIA ±.015/.381 | "G" ±.015/.381 | "H" ±.015/.381 |
|--------------|----------|---------------------------|-----------------------|----------------------------|------------------------|-------|--------|-----------|----------------|----------------|--------------------|----------------|----------------|
| 190060001 | AA-5220 | 190060003 | AA-5220T | 190060004 | AA-5220Z | 22-18 | RED | .150/3.81 | .620/15.75 | .512/13.00 | .222/5.64 | .690/17.53 | .196/4.98 |
| 190060011 | BB-5221 | 190060013 | BB-5221T | 190060014 | BB-5221Z | 16-14 | BLUE | .170/4.32 | .500/12.70 | .242/6.15 | .690/17.53 | .196/4.98 | |
| 190060019 | C-5211 | 190060020 | C-5211T | 190060070 | C-5211Z | 12-10 | YELLOW | .245/6.22 | .667/16.94 | .511/12.98 | .311/7.90 | .677/17.20 | .246/6.25 |



.025
0.63 REF CURL HEIGHT



SALES DRAWING

NOTES:

1. MATERIAL: BRASS.
PLATING: ELECTROPLATE TIN.
2. INSULATION: NYLON.
3. MWID=MAXIMUM WIRE INSULATION DIA.
4. ALL DIMENSIONS IN INCHES (MM).

| | | | | | | | |
|---|-------------------------------|---------------------------------------|---|--------------------------|------------------------------|---------------------|--|
| EC NO: ETC2004-0126 DRWN:DMYRICK 2004/01/06 CHKD:SBEITZEL 2004/01/06 APPR:RDEROSS 2004/01/07 | QUALITY SYMBOLS | GENERAL TOLERANCES (UNLESS SPECIFIED) | SCALE NTS | DESIGN UNITS INCH | THIRD ANGLE PROJECTION | REVISE ON CAD ONLY | |
| | DESCRIPTION ▼ = 0 ▽ = 0 | 4 PLACES ± --- ± --- | mm | DIMENSION STYLE IN/MM | | TITLE | |
| | | 3 PLACES ± --- ± .005 | INCH | DRAWN BY DMYRICK | | DATE 03/12/26 | |
| | | 2 PLACES ± 0.13 ± .01 | | CHECKED BY SBEITZEL | | DATE 03/12/26 | |
| 1 PLACE ± 0.25 ± --- | ANGULAR ± 1/2° | DRAFT WHERE APPLICABLE | APPROVED BY RDEROSS | | DATE 03/12/26 | | |
| MUST REMAIN WITHIN DIMENSIONS | | | MATERIAL NO. (SEE CHART) | | DOCUMENT NO. SD-19006-001 | SHEET NO. 1 OF 1 | |
| | | | THIS DRAWING CONTAINS INFORMATION THAT IS PROPRIETARY TO MOLEX INCORPORATED AND SHOULD NOT BE USED WITHOUT WRITTEN PERMISSION | | | | |