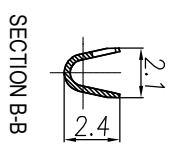
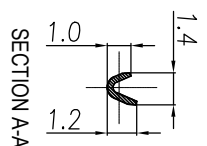
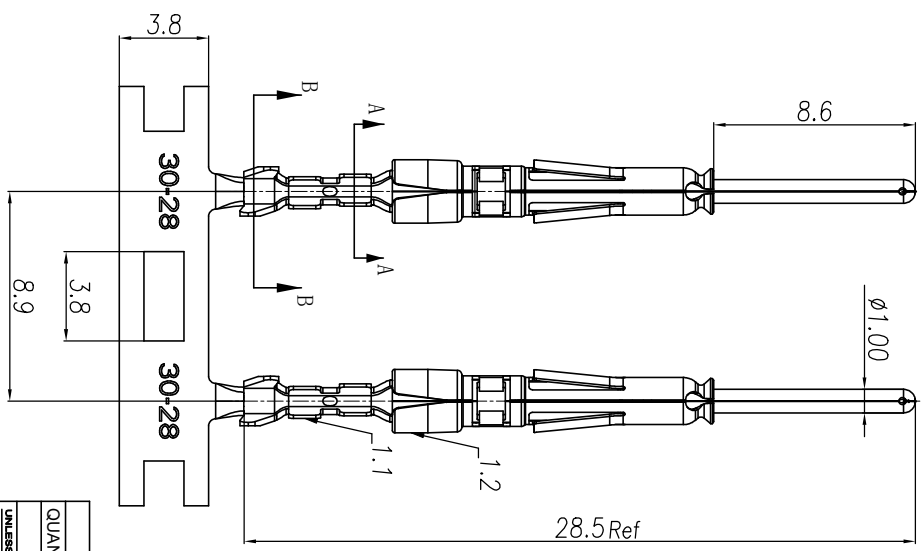


CONTACT ORIENTATION ON ROLL
 NOTES: (UNLESS OTHERWISE SPECIFIED)

1. MATERIAL:
 - 1.1. CONTACT BODY: COPPER ALLOY.
 - 1.2. OUTER SPRING: STAINLESS STEEL.
2. SPECIFICATIONS:
 - 2.1 CURRENT RATING: 5A MAX.
 - 2.2 TERMINATION TYPE: CRIMPING.
 - 2.3 WIRE RANGE: 30-28AWG.
 - 2.4 WIRE INSULATION DIA(MAX): $\varnothing 1.8\text{mm}$.
3. RoHS COMPLIANT.
4. ALL DIMENSIONS ARE FOR REFERENCE USE ONLY.
5. AVAILABLE TOOLS:
 - 5.1 HAND CRIMPER: MFX-3958 (A3)
 - 5.2 CRIMP APPLICATOR: MFX-3957.
 - 5.3 EXTRACTION TOOL: QXRT20.



REVISIONS				
REV	ECO	DESCRIPTION	DATE	BY APPR
A1	-	RELEASED DRAWING	Nov-8-17	Rookie Tommy
A2	-	ADD THE GS PART NUMBER	Jan-28-19	Blink Tommy
A3	-	CHANGE HAND CRIMPER	Nov-8-19	Flan Tommy

P/N	CONTACT PLATING(MATING AREA)
SP28W2T	TIN PLATING OVER NICKEL.
SP28W2N	NICKEL PLATING OVER COPPERIZE.
SP28W2F	GOLD FLASH PLATING OVER NICKEL.
SP28W2G5	5 μ " GOLD PLATING OVER NICKEL.
SP28W2G10	10 μ " GOLD PLATING OVER NICKEL.
SP28W2G15	15 μ " GOLD PLATING OVER NICKEL.
SP28W2G30	30 μ " GOLD PLATING OVER NICKEL.

QUANTITY	PART NUMBER	DESCRIPTION	ITEM
		Amphenol	
		ECO-MATE PIN CONTACT, STAMPED, 28-30AWG, SIZE 20	

MATERIALS LIST			
SIGNATURES	DATE	DESCRIPTION	REVISION
Drawn: Ril	Nov-8-19		
Checked: Mah	Nov-8-19		
Engineer: Tommy	Nov-8-19		

UNLESS OTHERWISE SPECIFIED
 1) All dimensions are in millimeters.
 2) Tolerances are as follows:
 1 Pt. DEC 0.030
 3 Pt. DEC 0.015
 5 Pt. DEC 0.008

3) Note reference = **Warning**

MATERIAL SPECIFICATIONS

PROCESS SPECIFICATIONS

NEXT ASBY

THE DRAWING IS SUBJECT TO THE SPECIFICATIONS AND PERFORMANCE DATA OF THE MANUFACTURER. THE MANUFACTURER'S CORRECTIONS AND REVISIONS ARE APPLIED. ALL MANUFACTURING VARIATIONS ARE ACCEPTED.

SCALE: NONE

ECO-MATE PIN CONTACT, STAMPED, 28-30AWG, SIZE 20

DMG NO: **SP28W2XX**

REVISION: **A3**

SHEET 1 OF 1