

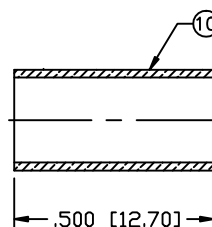
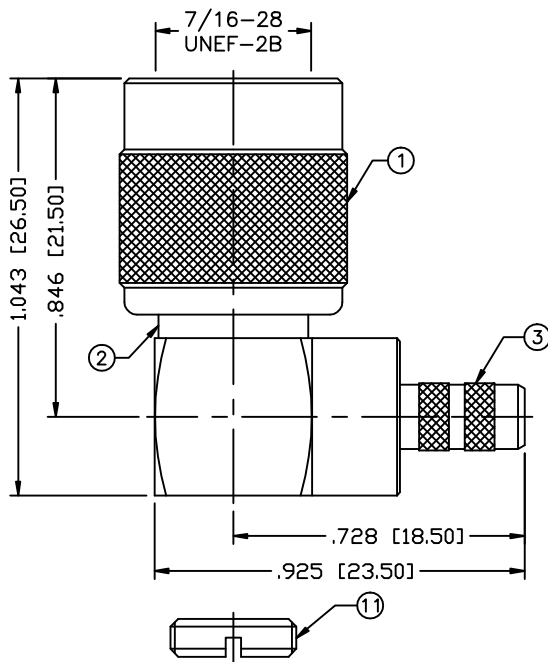
THIS DRAWING CONTAINS INFORMATION PROPRIETARY TO RF INDUSTRIES,
 ANY UNAUTHORIZED USE OF THIS DRAWING IS EXPRESSLY PROHIBITED
 WITHOUT WRITTEN PERMISSION FROM RF INDUSTRIES.
 ANY VIOLATION IS PUNISHABLE UNDER U.S. COPYRIGHT LAWS.

ALL DIMENSIONS ARE REFERENCE ONLY

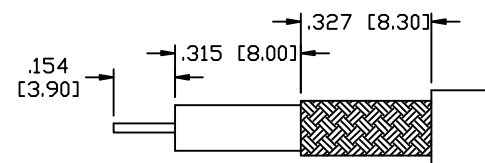
PART NO.

RP-1218-C1

REV	DESCRIPTION	DWN	DATE	APPROVED
-	ENGINEERING RELEASE	CZS	12/05/11	JDMc



RECOMMENDED CRIMP DIE: .213"



RECOMMENDED STRIPPING DIMENSIONS

SPECIFICATIONS:

IMPEDANCE: 50 Ohms
 FREQUENCY RANGE: 0-7 GHz
 WORKING VOLTAGE: 500 V rms @ sea level
 INSULATION RESISTANCE: 5k M ohms min.
 TEMPERATURE RANGE: -65°C TO +85°C
 FOR RG-55, 55A, 55B, 142, 142A, 142B, 223 & 400/U,
 ALPHA 9055, 9055B, 9223, BELDEN 8219, 83242, 84142

NOTE: ATTACH CABLE TO CONNECTOR BY SOLDERING
 THE CABLE INNER CONDUCTOR TO THE
 CONTACT SLOT INSIDE THE CONNECTOR

1	SHELL	1	BRASS	NICKEL, 100 μ"	008974	
2	PRESS BODY	1	BRASS	NICKEL, 100 μ"		
3	BODY	1	BRASS	NICKEL, 100 μ"		
4	INSULATOR	1	PTFE	---		
5	CONTACT	1	PHOS BRONZE	GOLD, 3 μ"		
6	GASKET	1	RUBBER	---		
7	RETAINING RING	1	BRASS	NICKEL, 100 μ"		
8	RING	1	DELTRIN	---		
9	WASHER	1	BRASS	NICKEL, 100 μ"		
10	FERRULE	1	BRASS	NICKEL, 100 μ"		
11	SCREW CAP	1	BRASS	NICKEL, 100 μ"		
12					DRAWN C. ZUNIGA 12/05/11	
13					CHECKED	
14					ORJ DRAWN C. ZUNIGA 3/8/06	
#	DESCRIPTION	QTY	MATERIAL	FINISH	APPROVALS	DATE

UNLESS OTHERWISE SPECIFIED:

DIMENSIONS ARE IN INCHES
 AND [MILLIMETERS]
 UNLESS OTHERWISE NOTED
 TOLERANCES ARE:
 DECIMALS DIAMETER

RFconnectors
 DIVISION OF RF INDUSTRIES, LTD.

7610 MIRAMAR RD
 SAN DIEGO, CA 92126
 (858) 549-6340
 (858) 549-6345 FAX

TNC PLUG, CRIMP

REVERSE POLARITY, RIGHT ANGLE

SIZE	CABLE GROUP	DWG NO.	REV
A	C1	RP-1218-C1	-
SCALE:	NTS	CAD FILE	OUTLINE
SHEET 1		OF 1	