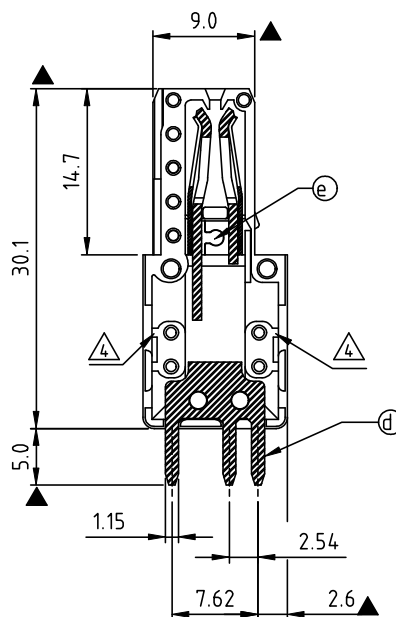
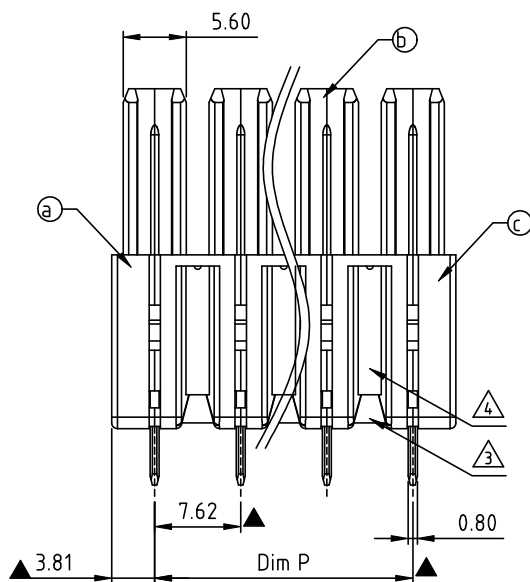


PCB LAYOUT (TOP VIEW)



N=NUMBER OF POLES

DIM		TOL			
		2P--5P	6P--8P	9P--12P	13P--16P
Dim L	$N \times 7.62$	± 0.20	± 0.30	± 0.35	± 0.40
Dim P	$(N-1) \times 7.62$	± 0.20	± 0.30	± 0.35	± 0.40

REV	SIGN	DATE	DESCRIPTION	APPROVER
C	△	09/26/13	add the safety certification icon	Chen Bo
C	△	09/26/13	change the electrical specification	Chen Bo
D	△	12/14/17	change the structure	Chen Bo
E	△	11/07-18	change the structure	Chen Bo

THIS IS CAD DRAWING, DO NOT REVISE MANUALLY!!!

Material:

- Item ① Left Cover :Thermoplastic (UL94 - V0)
- Item ② Middle Body :Thermoplastic (UL94 - V0)
- Item ③ Right Cover :Thermoplastic (UL94 - V0)
- Item ④ Contact pin: Copper , Bright Tin plated over Nickel plated
- Item ⑤ Wire guard:Stainless Steel (ET 7.62)

Electrical: cULus

- △ 2 ● Voltage rating: 300V
- Current rating: 41A
- Withstanding Voltage:1.6 KV
- Operating temperature:-40°C to +115°C
- Wave soldering temperature:260°C±5°C/5 Sec
- △ 1 ● Safety approval: cULus
- Critical dimension: ▲

KS xx 0 1 x 0 xxxx G

- No. OF POLES: 02: 2 POLES, 16: 16 POLES
- COLOR: 0 Black (RAL9005), 2 Red (RAL3001/D), 3 Orange(RAL2011/P), 4 Yellow(RAL1018/A), 5 Green(RAL6018/T), 6 Blue (RAL5015/A), 8 Grey(RAL7035/D), 9 White(RAL1102), C Green(RAL6018/U)
- G RoHS compliant (Lead<4% In copper Alloy)
- 0000: "@ Logo (Standard)
- 000A: "ANYTEK" Mark
- Any special item by customer request. please contact sales department.

Amphenol
ANYTEK

CUSTOMER COPY

ALL RIGHTS RESERVED. REPRODUCTION OR ISSUE TO THIRD PARTIES IN ANY FORM WHATSOEVER IS NOT PERMITTED WITHOUT WRITTEN AUTHORITY FROM THE PROPRIETOR. PROPERTY OF ANYTEK TECHNOLOGY CO., LTD

TITLE		KS 7.62 Series 2P-16P Vertical (Without Flange)			
PART NO.		KSxx01x0xxxxG		DWG NO.	8KS0001
APPROVED	CHECKED	DESIGNED	DRAWN	CUST NO.	
		Chen Bo 11/07-18	Chen Bo 08/16`12	Tolerance	
				UNIT: mm	X. ±0.50
				SCALE: NONE	X.X ±0.30
				SHEET: 01/01	X.XX ±0.10
				REV.: E	X° ±1°