

6

5

4

3

2

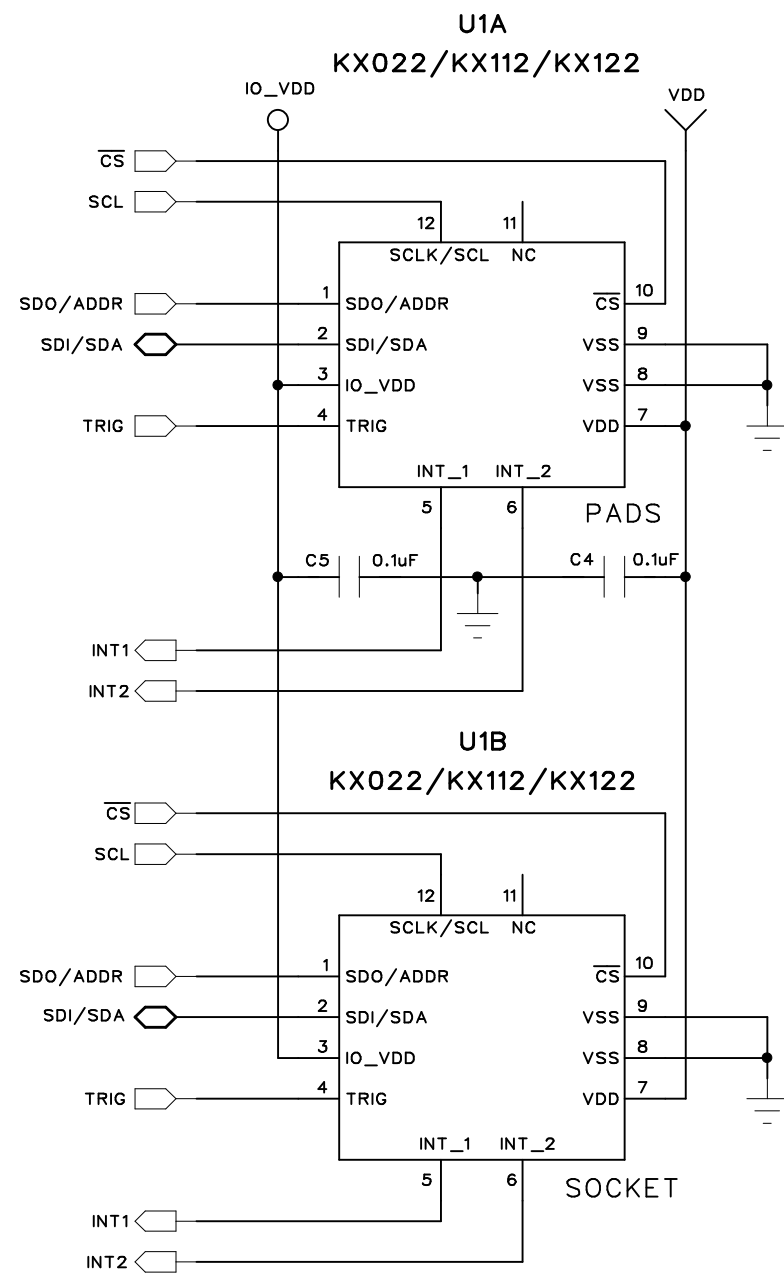
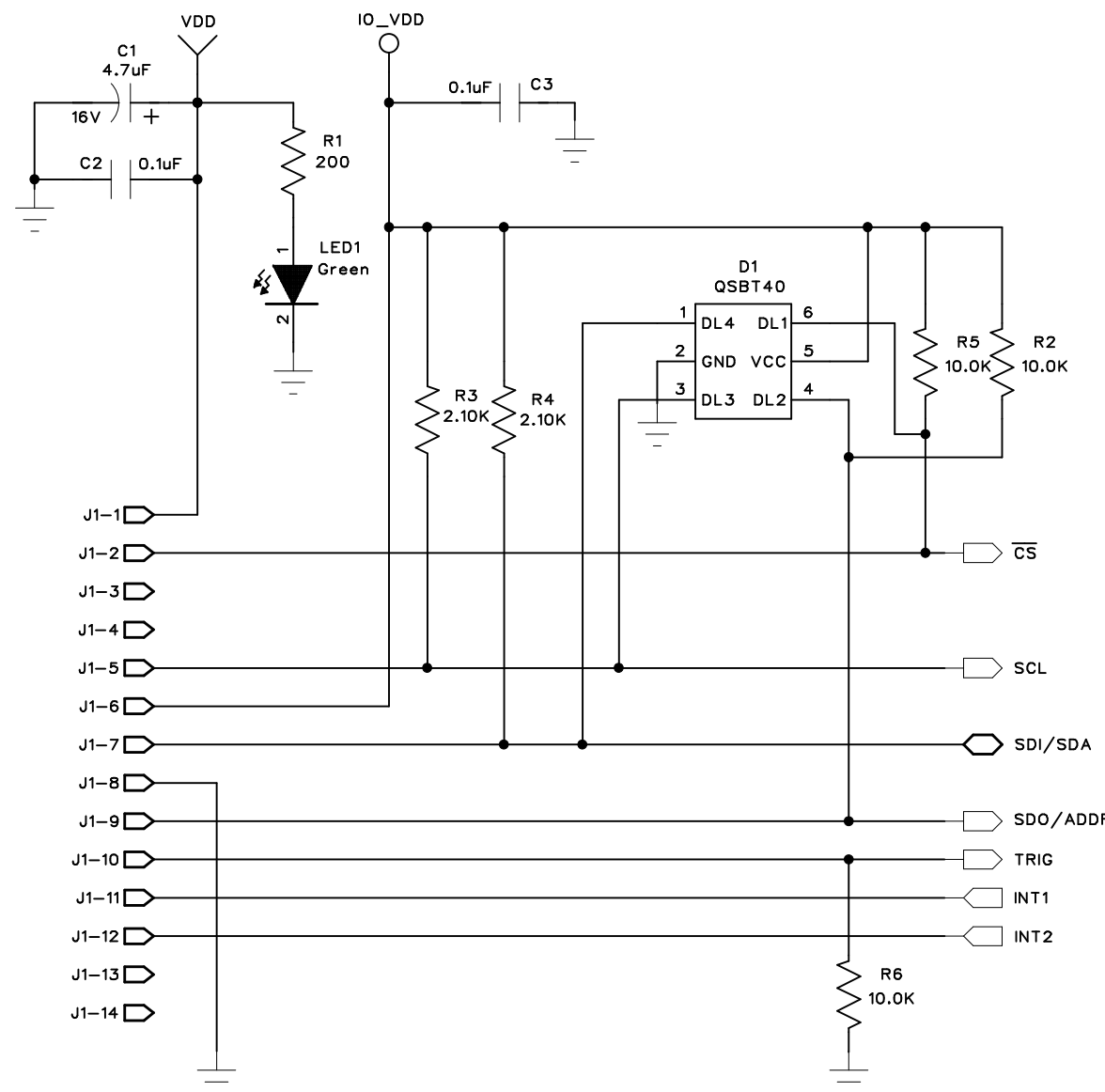
1

D

C

B

A



PIN	KX022	KX112	KX122
1	SDO/ADDR	SDO/ADDR	SDO/ADDR
2	SDI/SDA	SDI/SDA	SDI/SDA
3	IO_VDD	IO_VDD	IO_VDD
4	TRIG	TRIG	TRIG
5	INT1	INT1	INT1
6	INT2	INT2	INT2
7	VDD	VDD	VDD
8	GND	GND	GND
9	GND	GND	GND
10	nCS	nCS	nCS
11	NC	NC	NC
12	SCLK/SCL	SCLK/SCL	SCLK/SCL

NOTES:

- 1) All resistors are 1%, 1/10W, 0603 unless otherwise specified.
- 2) All capacitors are 0.1uF, 10%, 50WVDC, 0603 unless otherwise specified.
- 3) U1B Socket: Loranger, 020SQ 012J6618A
- 4) Supported device and 7-bit I2C address:
 - a) KX022: 1Eh, 1Fh.
 - b) KX112: 1Eh, 1Fh.
 - c) KX122: 1Eh, 1Fh.

COMPANY: **Kionix Inc.**

TITLE: **KX022 Evaluation Board**

DRAWN: J Zappala	DATED: 07/28/2015	CODE: DWG856	SIZE: B	DRAWING NO: KAMMDM001R56	REV: 1
CHECKED:	DATED:	SCALE: NONE			SHEET: 1 OF 2
QUALITY CONTROL:	DATED:				
RELEASED:	DATED:				

D

C

B

A

