

DATA CONTAINED IN THIS DOCUMENT IS PROPRIETARY TO TROMPETER ELECTRONICS INC. AND SHALL NOT BE DISCLOSED, COPIED OR USED FOR PROCUREMENT OR MANUFACTURE WITHOUT EXPRESS WRITTEN PERMISSION.

DWG SIZE
A

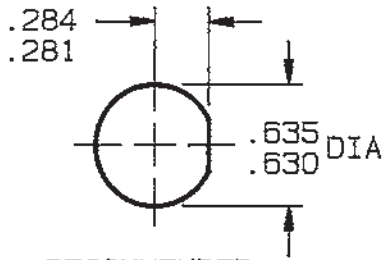
DISK #
H10

REVISIONS

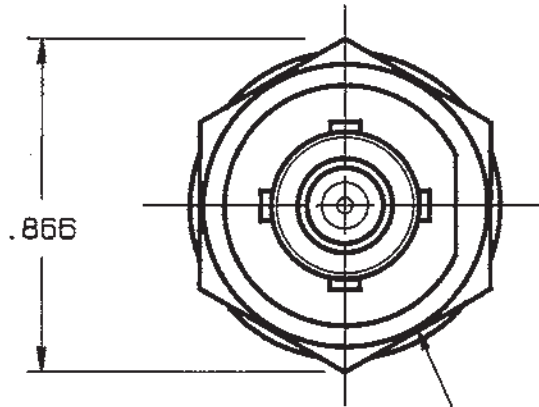
3-0221

SH 1

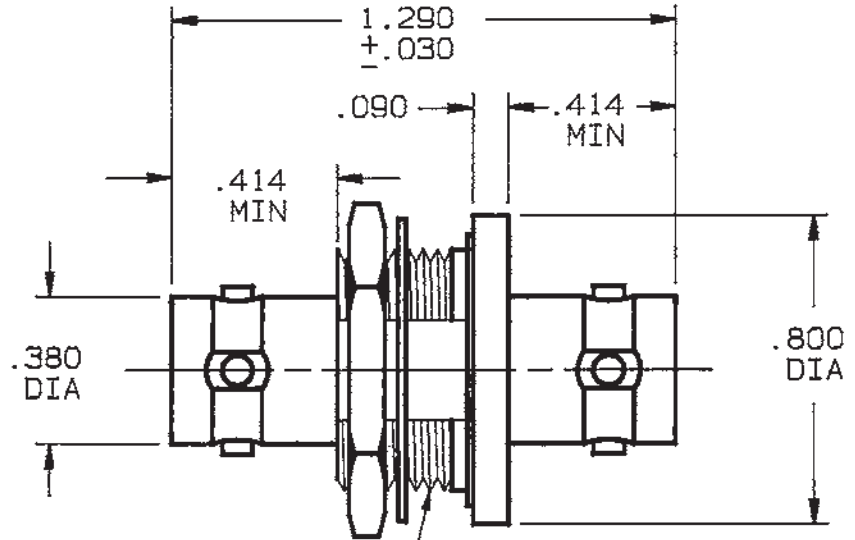
| REV | EO | DESCRIPTION | DWN | APPROVED | DATE |
|-----|------|-----------------------------------|-----|--------------------|----------|
| B | 9059 | SHT 2 ADDED END VIEW AND NOTE (1) | J S | <i>E.E.; BM; J</i> | 11-16-90 |



RECOMMENDED
PANEL CUTOUT
SCALE: NONE



.750 HEX NUT



.625-24UNEF-2A

| INCH | MM |
|-------|-------|
| .005 | 0.13 |
| .030 | 0.76 |
| .090 | 2.29 |
| .140 | 3.56 |
| .281 | 7.14 |
| .284 | 7.21 |
| .380 | 9.65 |
| .414 | 10.52 |
| .630 | 16.00 |
| .635 | 16.13 |
| .750 | 19.05 |
| .800 | 20.32 |
| .866 | 22.00 |
| 1.290 | 32.77 |

4. FEMALE 50 OHM CONCENTRIC TWINAX/TRIAX 4-LUG BAYONET FEED THRU INSULATED BULKHEAD RECEPTACLE

3. MAX PNL THK .140

2. FINISH: TFS-1A (NICKEL)

1. ALL DIM ARE IN INCHES

| QTY | DESCRIPTION | | PART NUMBER | ITEM |
|----------------------|-------------|-----------|-------------|--------------|
| TOL UNLESS SPECIFIED | | | BJ73FL | |
| .XX ± | | | | |
| .XXX ± .005 | | MATERIAL | CODE IDENT | DRAWING NO. |
| .XXXX ± | | — | 14949 | 3-0221 |
| ANGLES ± | | DWN | J S | 11/13/90 |
| | | CHK | <i>E.E.</i> | 11-14-90 |
| | | ENGR | <i>BM</i> | 11-15-90 |
| | | APPR | <i>J</i> | 11-15-90 |
| NEXT ASSY | | SCALE 2/1 | DATE 2/8/85 | SHEET 1 OF 2 |