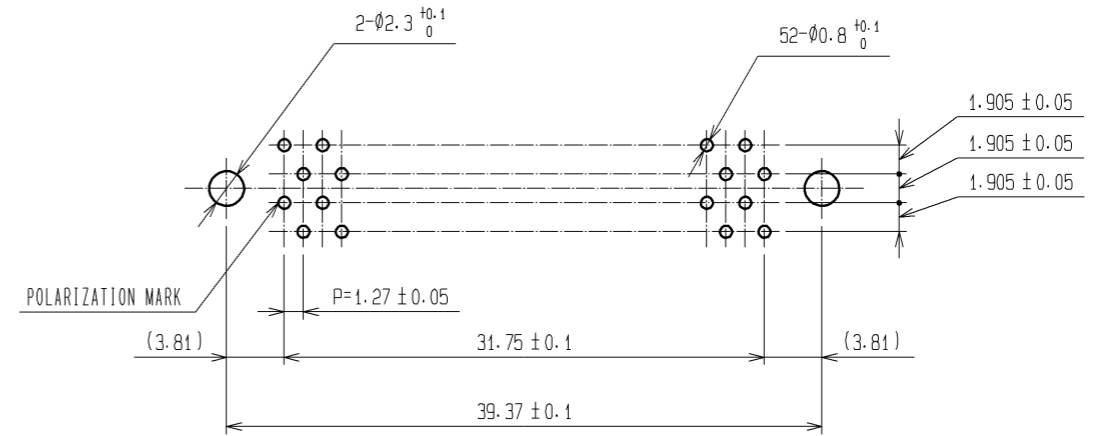
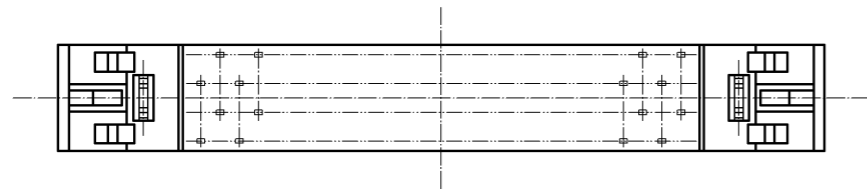


RECOMMENDED PC BOARD HOLE PATTERN(MOUNTING SIDE)



NOTE 1 THE DIMENSIONS IN PARENTHESES ARE FOR REFERENCE.



4	PHOSPHOR BRONZE	TIN-PLATING							CONTACT AREA:GOLD 0.2 μm min.
1, 2	POLYAMIDE	BLACK UL94V-0		3	PHOSPHOR BRONZE				DIP AREA:TIN-PLATING 2μm min.
									UNDER PLATING:NICKEL 2μm min.
NO.	MATERIAL	FINISH .	REMARKS	NO.	MATERIAL	FINISH .	REMARKS		
UNITS	mm	SCALE	2 : 1	COUNT	DESCRIPTION OF REVISIONS	DESIGNED	CHECKED	DATE	
HRS HIROSE ELECTRIC CO., LTD.		APPROVED :	HS. OKAWA	08.07.16	DRAWING NO.	EDC3-082375-21			
		CHECED :	HT. YAMAGUCHI	08.07.16	PART NO.	FX2B-52P-1. 27DSAL(71)			
		DESIGNED :	KN. SHIBUYA	08.07.15	CODE NO.	CL572-0854-0-71			
		DRAWN :	AH. EDASHIGE	08.06.17					