



Product / Process Change Notification (PCN)

- Major change
 Minor change

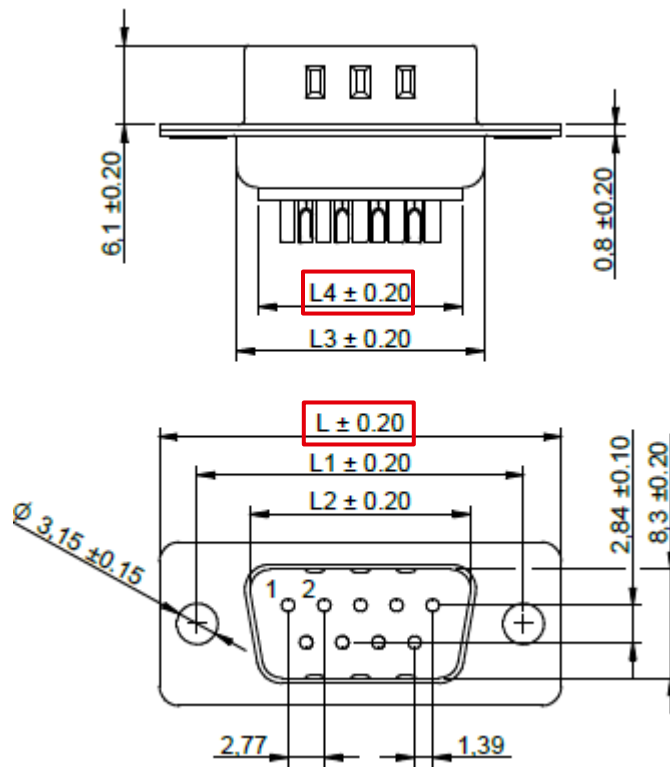
<p>PCN #: PCN_conDSUB_20230630</p> <p>Affected Series: WR-DSUB ; 6180xx24823 ; 6180xx24923 6180xx221823 ; 6180xx221823 ; 6180xx25322</p> <p>PCN Date: March 30, 2023</p> <p>Effective Date: June 30, 2023</p>	<p>Change Category:</p> <p><input type="checkbox"/> Equipment / Location <input checked="" type="checkbox"/> General Data <input type="checkbox"/> Material <input type="checkbox"/> Process <input type="checkbox"/> Product Design <input type="checkbox"/> Shipping / Packaging <input type="checkbox"/> Supplier <input type="checkbox"/> Software</p>
<p>Contact: Product Management</p> <p>Phone: +49 (0) 7942 - 945 5001</p> <p>Fax: +49 (0) 7942 - 945 5179</p> <p>E-Mail: pcn.eican@we-online.com</p>	<p>Data Sheet Change:</p> <p><input checked="" type="checkbox"/> Yes <input type="checkbox"/> No</p> <p>Attachment:</p> <p><input type="checkbox"/> Yes <input checked="" type="checkbox"/> No</p>

Description and purpose of change:

Because of a database mismatch, Würth Elektronik will update the datasheet with accurate values on several tolerances, dimensions and correct specifications.
 This is a datasheet correction only. There will be no change in form, fit, function, quality or reliability of the product.

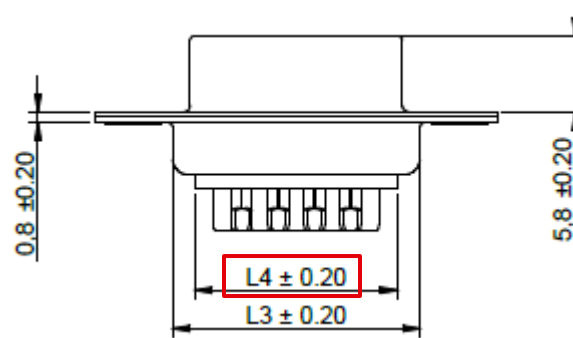
Detail of Change:

1. 6180xx24823



	Part Number	ARTICLE PROPERTIES		MATERIAL PROPERTIES	
		L (mm)	L4 (mm)	Insulator Color	Shielding Plating
BEFORE	61800924823	30.81	15.6	Black	Nickel (Ni)
	61801524823	39.23	24.6	Not indicated	Nickel (Ni)
	61802524823	53.05	38.1	White	Nickel (Ni)
	61803724823	69.5	54.3	Not indicated	Nickel (Ni)
AFTER	61800924823	30.80	15.6	White	Tin
	61801524823	39.23	24.6	White	Tin
	61802524823	53.05	38.1	White	Tin
	61803724823	69.5	54.45	White	Tin

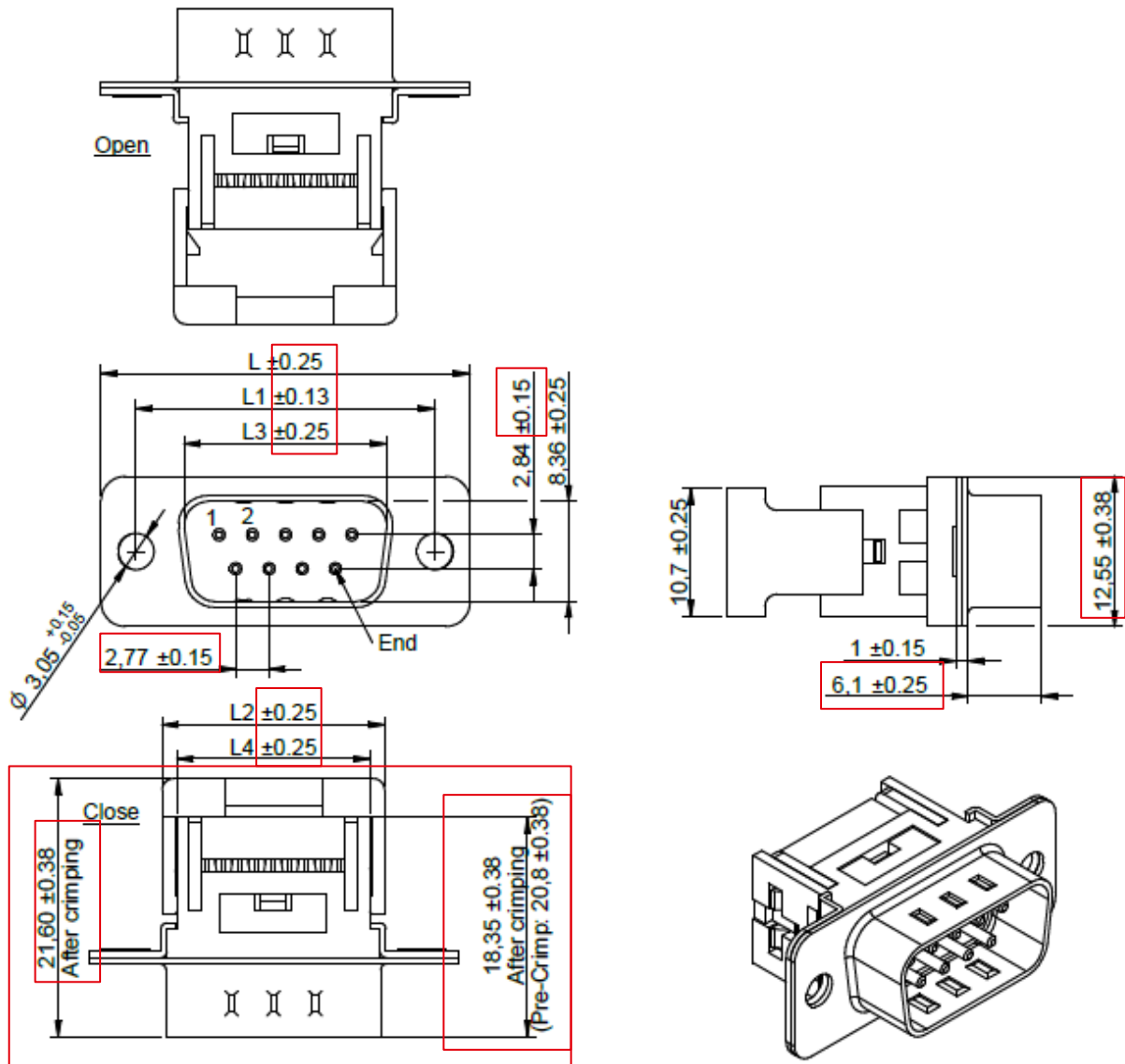
2. 6180xx24923



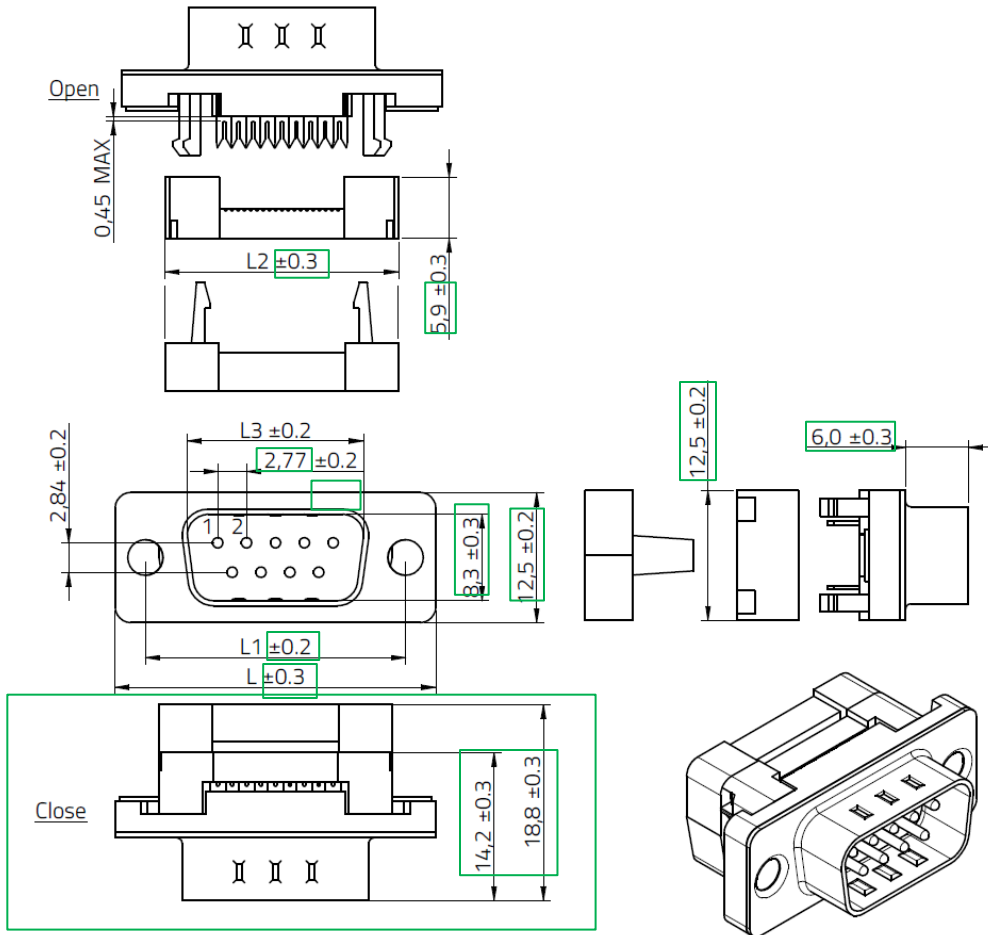
	Part Number	ARTICLE PROPERTIES	MATERIAL PROPERTIES
		L4 (mm)	Shielding Plating
BEFORE	61800924923	15.6	Nickel (Ni)
	61801524923	24.6	Nickel (Ni)
	61802524923	38.1	Nickel (Ni)
	61803724923	54.45	Nickel (Ni)
AFTER	61800924923	15.6	Tin
	61801524923	24.6	Tin
	61802524923	38.1	Tin
	61803724923	54.30	Tin

3. 6180xx221823

BEFORE



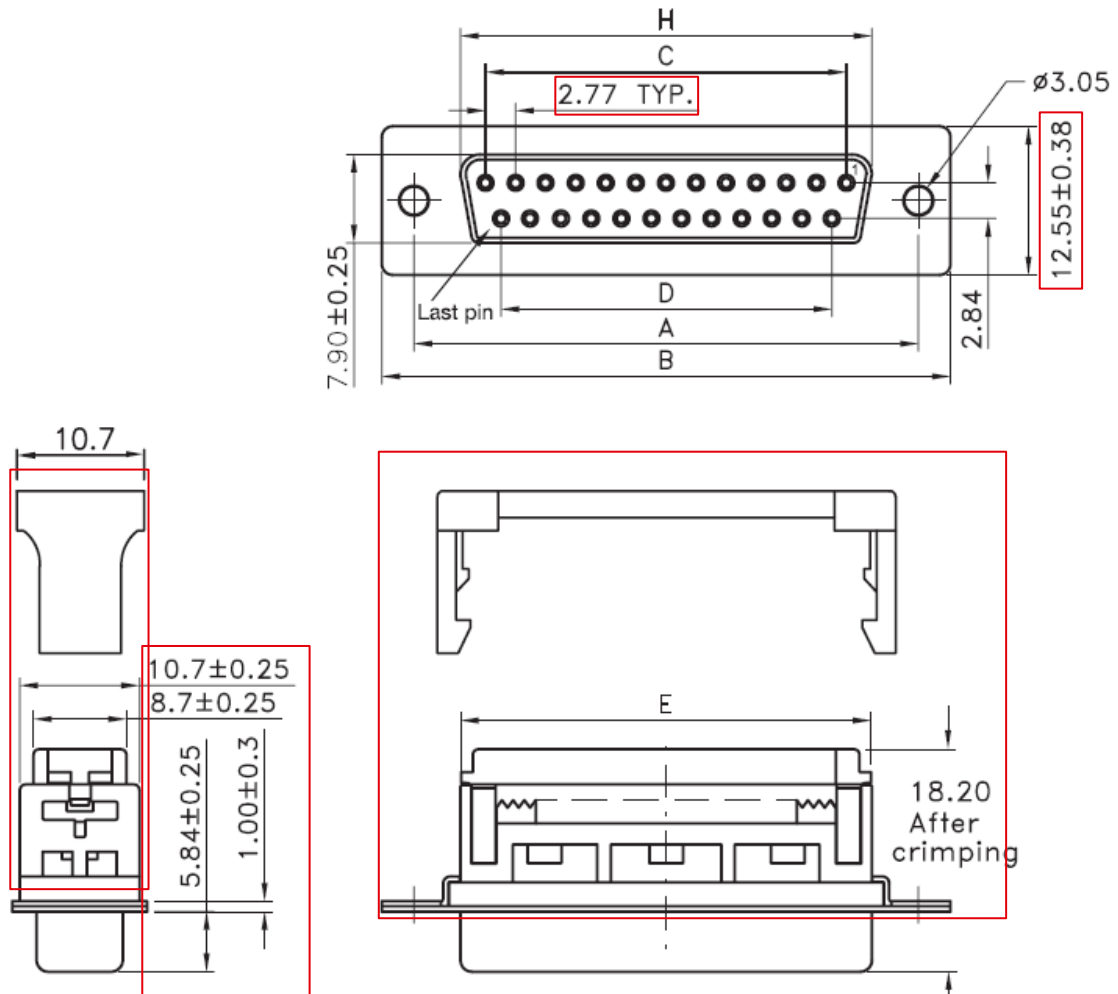
AFTER



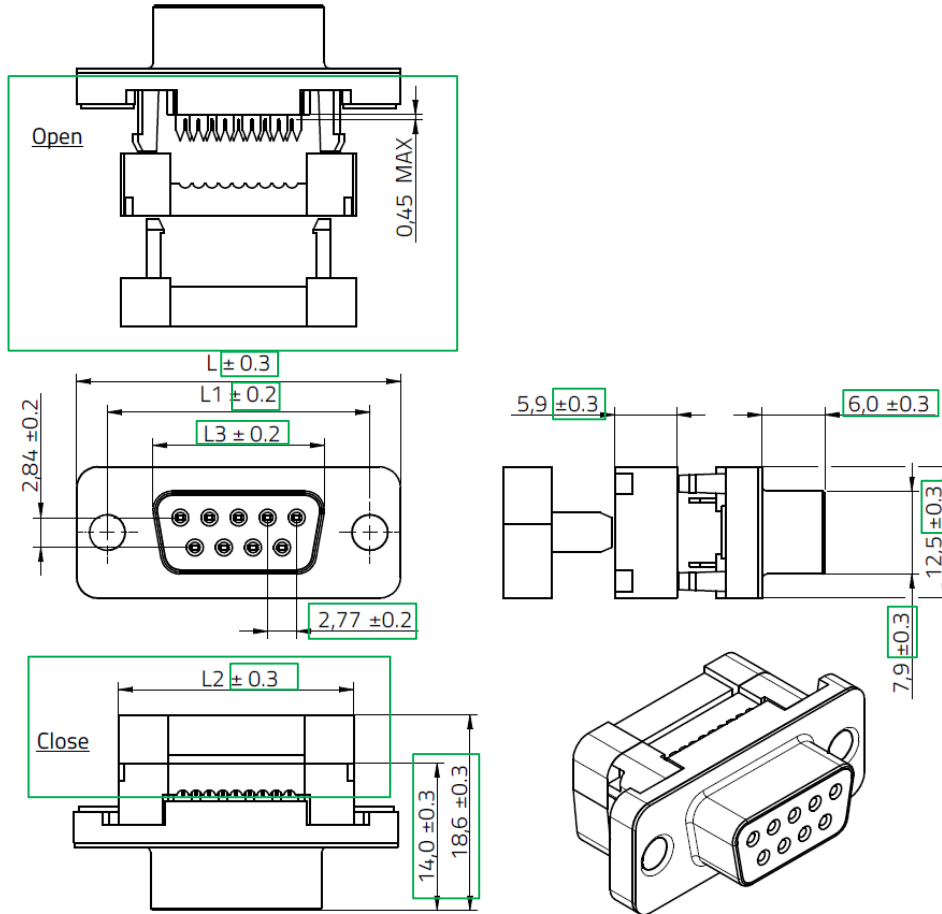
	Part Number	MATERIAL PROPERTIES
		Insulator Color
BEFORE	618009221823	Not indicated
	618015221823	Not indicated
	618025221823	Not indicated
	618037221823	Not indicated
AFTER	618009221823	Blue
	618015221823	Blue
	618025221823	Blue
	618037221823	Blue

4. 6180xx221923

BEFORE



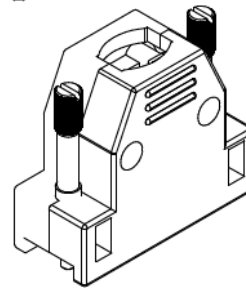
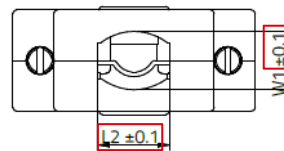
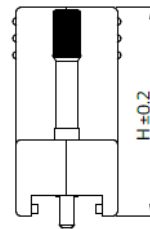
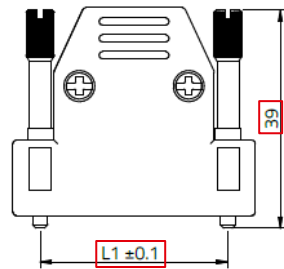
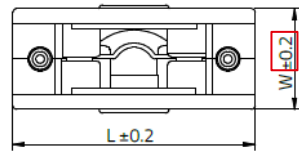
AFTER



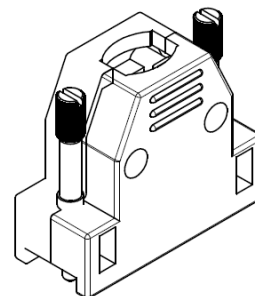
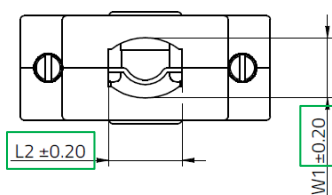
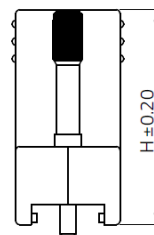
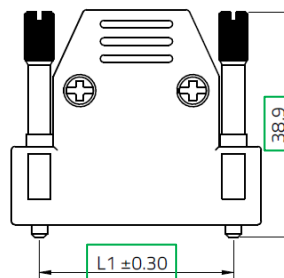
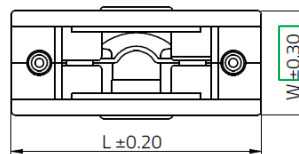
	Part Number	ARTICLE PROPERTIES	MATERIAL PROPERTIES
		L3 (mm)	Insulator Color
BEFORE	618009221923	16.30	Not indicated
	618015221923	24.6	Not indicated
	618025221923	38.3	Not indicated
	618037221923	54.8	Not indicated
AFTER	618009221923	16.33	Blue
	618015221923	24.6	Blue
	618025221923	38.3	Blue
	618037221923	54.8	Blue

5. 6180xx25322

BEFORE



AFTER





	Part Number	ARTICLE PROPERTIES	
		L1 (mm)	L2 (mm)
BEFORE	61800925322	11.9	Not indicated
	61801525322	12.8	Not indicated
	61802525322	13.4	Not indicated
	61803725322	16	Not indicated
AFTER	61800925322	25	11.9
	61801525322	33.5	12.8
	61802525322	47	13.4
	61803725322	63.5	16

Reliability / Qualification Summary:

There will be no change of the product, therefore no additional reliability or qualification testing will be performed.