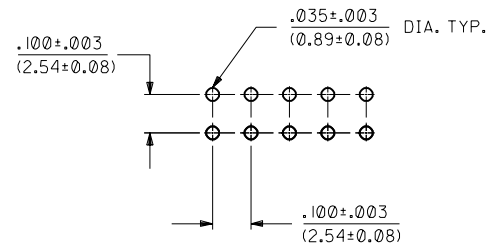
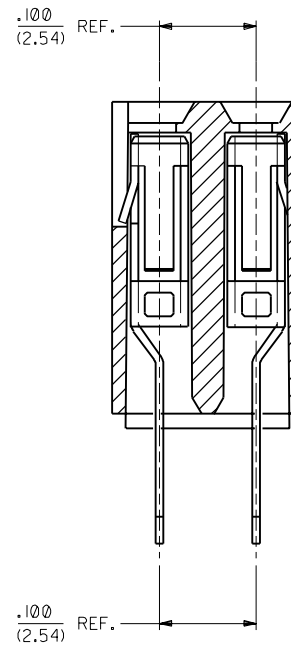
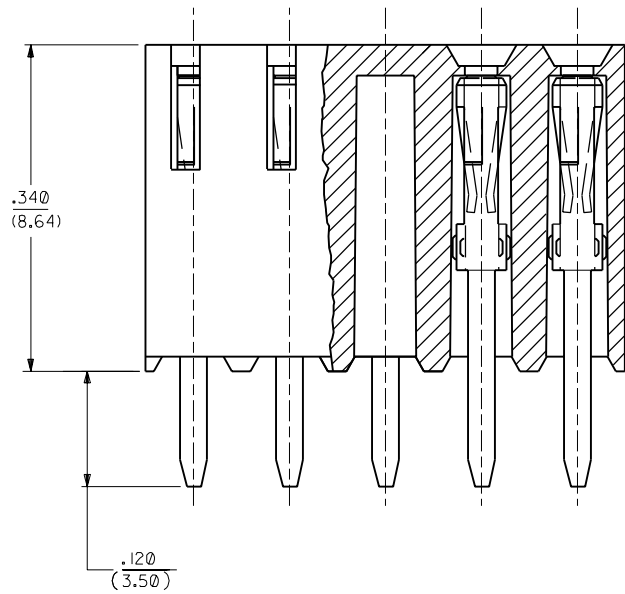
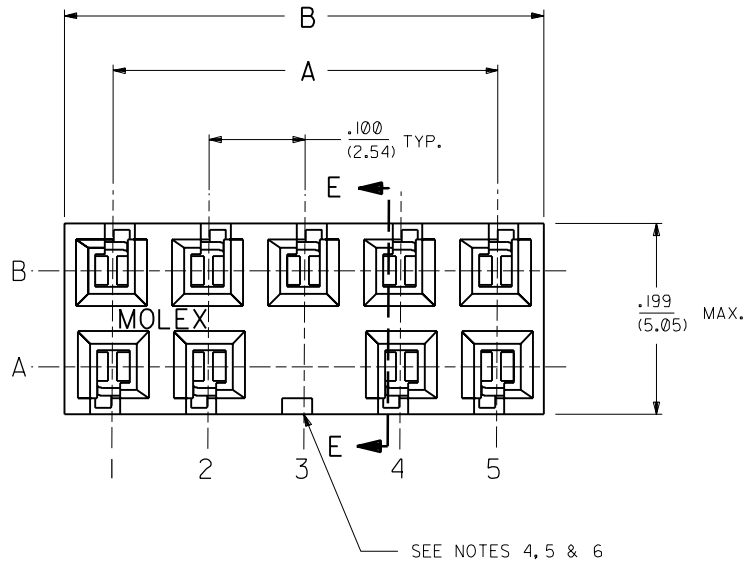


NOTES:

- 1 - HOUSING MATERIAL: GLASS FILLED POLYESTER, UL 94V-0.
COLOR: BLACK
- 2 - TERMINAL MATERIAL: PHOSPHOR BRONZE
- 3 - FOR CIRCUIT SIZES, VOID LOCATIONS AND POLARIZED POSITIONS SEE CHART.
- 4 - A VOIDED CIRCUIT IS REPRESENTED BY A REMOVED TERMINAL.
FOR ILLUSTRATION PURPOSES CIRCUIT "A-3" IS SHOWN VOIDED.
- 5 - A POLARIZED POSITION IS REPRESENTED BY A MOLDED OVER PIN WINDOW.
FOR ILLUSTRATION PURPOSES CIRCUIT "A-3" IS SHOWN POLARIZED.
- 6 - INDIVIDUAL CIRCUITS CAN BE VOIDED OR POLARIZED OR BOTH.
- 7 - REFER TO PRODUCT SPECIFICATION P.S.-70181.
- 8 - PACKAGING INFORMATION: (UNLESS OTHERWISE NOTED IN TABLES)
PACKAGED PER PACKAGING DRAWING PK-70873-0660.

PLATING CODES

- (164) TIN-LEAD (Sn-Pb) ALLOY OVER ENTIRE PIN; THICKNESS=(3.75 MICROMETER)/75 MICROINCH MINIMUM; NICKEL (Ni) UNDERPLATE OVER ENTIRE PIN.
- (571) SELECTIVE GOLD (Au) IN THE CONTACT AREA; THICKNESS=(0.37 MICROMETER)/15 MICROINCH MINIMUM; SELECTIVE TIN-LEAD (Sn-Pb) ALLOY IN THE PC TAIL AREA; THICKNESS=(1.88 MICROMETER)/75 MICROINCH MINIMUM; NICKEL (Ni) UNDERPLATE OVER ENTIRE PIN.
- (574) SELECTIVE GOLD (Au) IN THE CONTACT AREA; THICKNESS=(0.75 MICROMETER)/30 MICROINCH MINIMUM; SELECTIVE TIN-LEAD (Sn-Pb) ALLOY IN THE PC TAIL AREA; THICKNESS=(1.88 MICROMETER)/75 MICROINCH MINIMUM; NICKEL (Ni) UNDERPLATE OVER ENTIRE PIN.



RECOMMENDED P.C. BOARD
HOLE LAYOUT
SCALE = 4:1

G	CHANGE PACK SPEC. ECN# LDT2000-0503 DMORGAN 99/12/13
FI	ADDED PACKAGING PER ECN US0707 BARKER 97/08/11
F	CHANGED NOTES 3&4 PER ECN NO US0942 03-16-95 BJS
EI	ADD VERSION -0012 PER ECN NO US0908 03-08-95 BJS
E	RELEASE TO CAD PER ECN UO 0967 PM 01/27/92

DIMENSIONS SHOWN (METRIC) INCH		▽ = 0 ▽ = 0		REVISE ONLY ON CAD SYSTEM	
UNLESS OTHERWISE SPECIFIED TOLERANCES ANGULAR ± 1/2°					
INCH		METRIC			
3 PLACE	± .010	---			
2 PLACE	± .014	± 0.25			
1 PLACE	---	± 0.35			
DRAFT WHERE APPLICABLE MUST REMAIN WITHIN DIMENSIONS					
DRWG. BY: PM	CHK'D. BY: PM	PART NO. SDA-70863-0000		DRWG. NO. 1 OF 2	
APP'D. BY: DJB	SCALE: 10:1	SEE CHART		DATE: 01/27/92	
FILE NAME: S70863X1		THIS DRAWING CONTAINS INFORMATION THAT IS PROPRIETARY TO MOLEX INC. AND SHOULD NOT BE USED WITHOUT WRITTEN PERMISSION.		DIV. D	